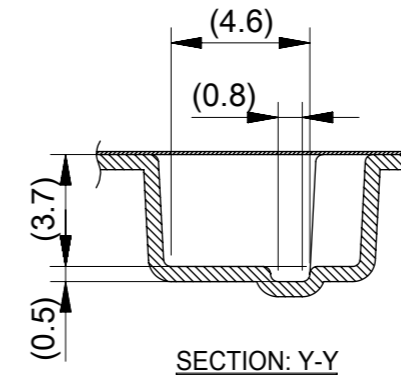


53261-****	WAFER ASSY	MODEL NO./MATERIAL NO.
50079-****	TERMINAL	
51021-****	HOUSING	

RELEASED EC NO: J2006-2426 DRWN: YA0YAGI CHKD: YMAEDA APPR: NUKITA 2006/02/07 2006/02/03 2006/02/03	DESCRIPTION	GENERAL TOLERANCES (UNLESS SPECIFIED)	DIMENSION STYLE	SCALE	DESIGN UNITS	THIRD ANGLE PROJECTION	
	REV	0	MM ONLY	---	METRIC	☉	
			10 UNDER ±---	DRAWN BY	DATE	TITLE	
			10 OVER 30 UNDER ±---	Y. AOYAGI	2006/01/30	1.25 W-T0-B CONN. 51021,53261 MATING CROSS SECTION	
			30 OVER ±---	Y. MAEDA	2006/01/30		
		ANGULAR ±---°	APPROVED BY	DATE	MOLEX INCORPORATED		
		DRAFT WHERE APPLICABLE MUST REMAIN WITHIN DIMENSIONS	N. UKITA	2006/01/30			
			MATERIAL NO.	SEE CHART	DOCUMENT NO.	SHEET NO.	
			SIZE	A3	SD-51021-002	1 OF 1	

注釈 NOTE

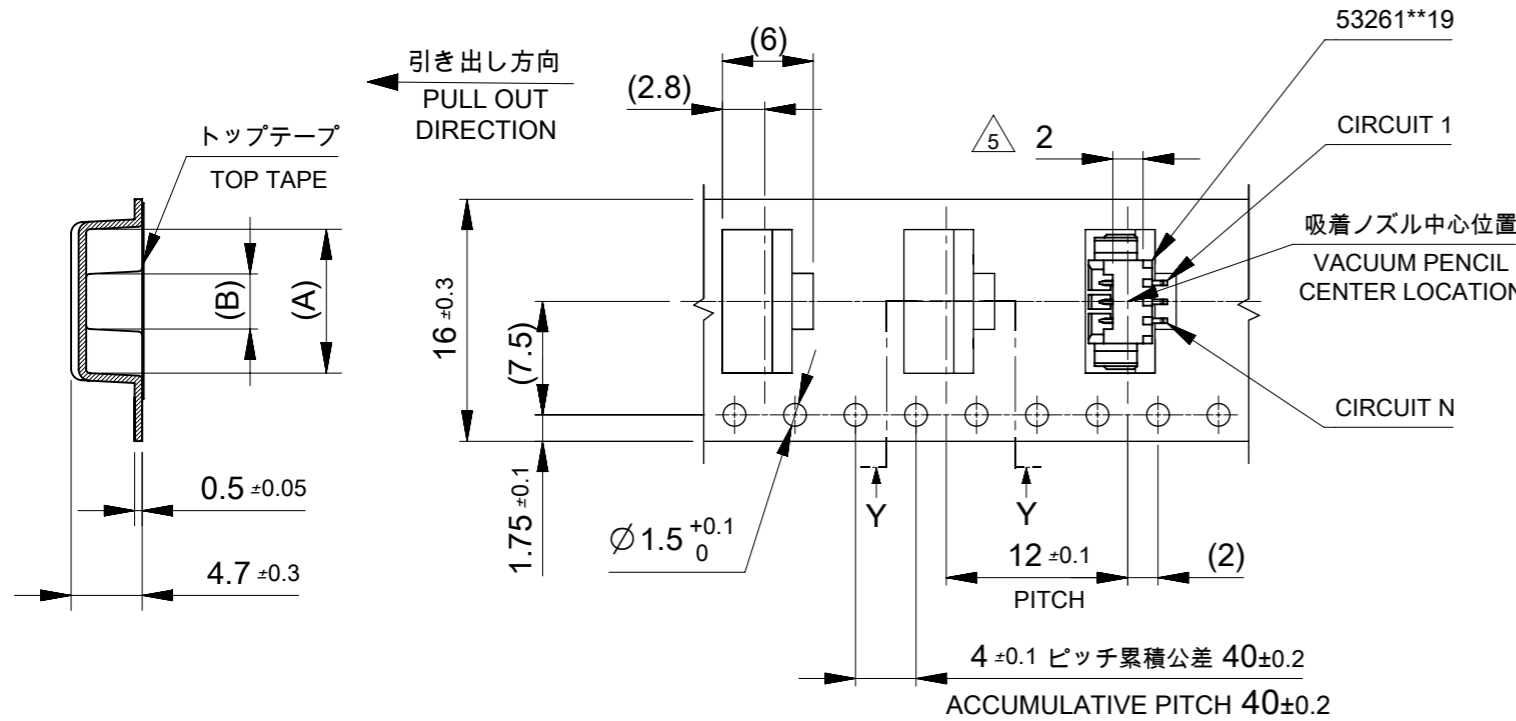
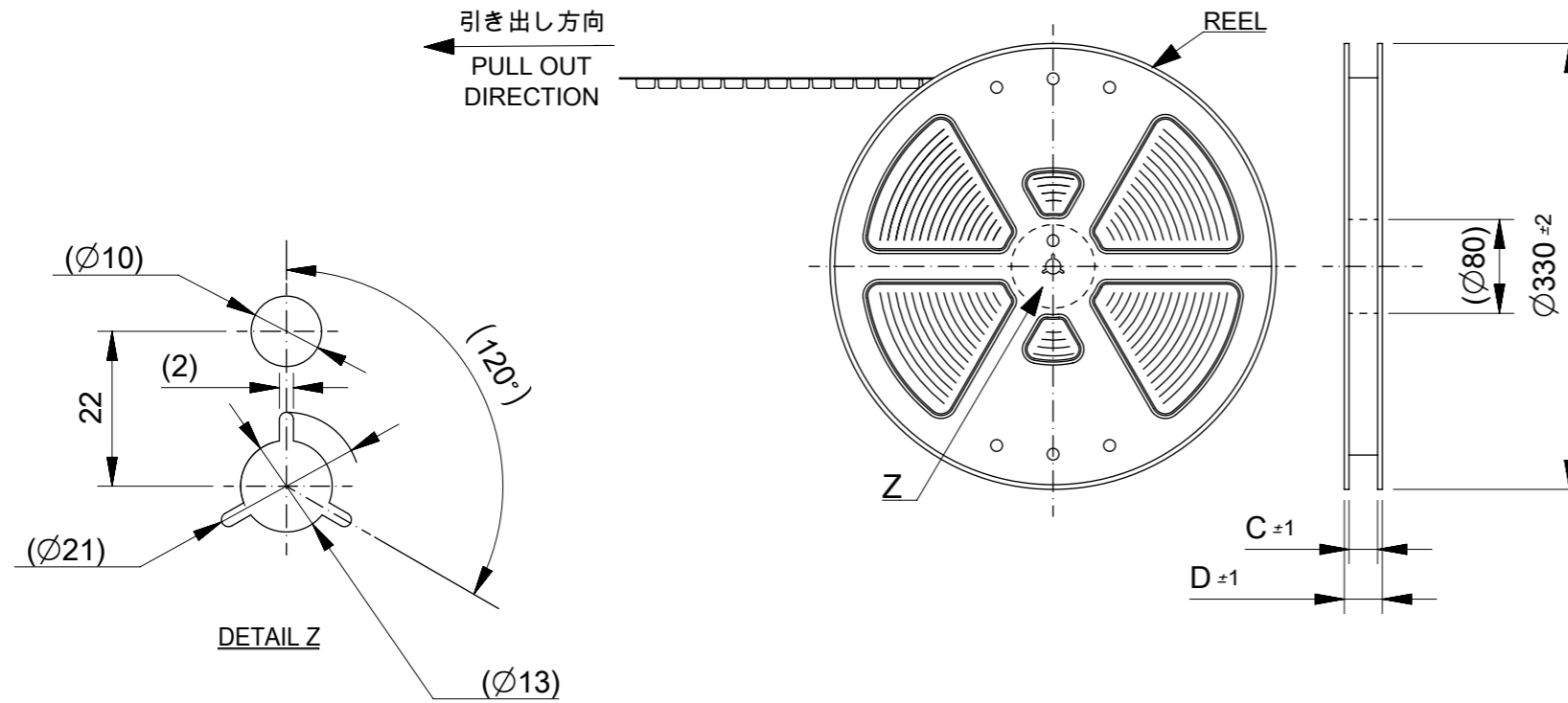
- コネクタ53261\*\*19の詳細寸法については図面SD-53261-024をご参照ください。  
REFER TO DRAWING SD-53261-024 FOR DETAIL DIMENSIONS OF CONNECTOR 53261\*\*19.
- 梱包数量: 1000個/リール  
NUMBER OF CONNECTOR: 1000PCS/REEL
- リードテープ長さ LEAD TAPE LENGTH  
 トップテープリーダ部 TOP TAPE LEADER PART: 175 ±25  
 トップテープ未装着部 TOP TAPE NON-BONDED PART: 25 ±5  
 リーダ部 (空部) LEADER PART (EMPTY): 120 ±20  
 部品挿入部 COMPONENT SUPPLIER  
 末端部 (空部) TAIL PART (EMPTY): 150 ±40
- 材料 (MATERIAL)  
 キャリアテープ (CARRIER TAPE): ポリプロピレン (POLYPROPYLENE)  
 トップテープ (TOP TAPE): PET, PE, PEF  
 リール (REEL): ポリスチレン (PS) <リサイクル材含む> POLYSTYREN (PS) <RECYCLE MATERIAL CONTAINED>
- コネクタハウジング平面部  
CONNECTOR HOUSING FLAT AREA.
- 本製品は乾燥剤入りハイバリア梱包仕様である。  
THIS PRODUCT IS HIGH BARRIER PACKAGE WITH DESICCANT.



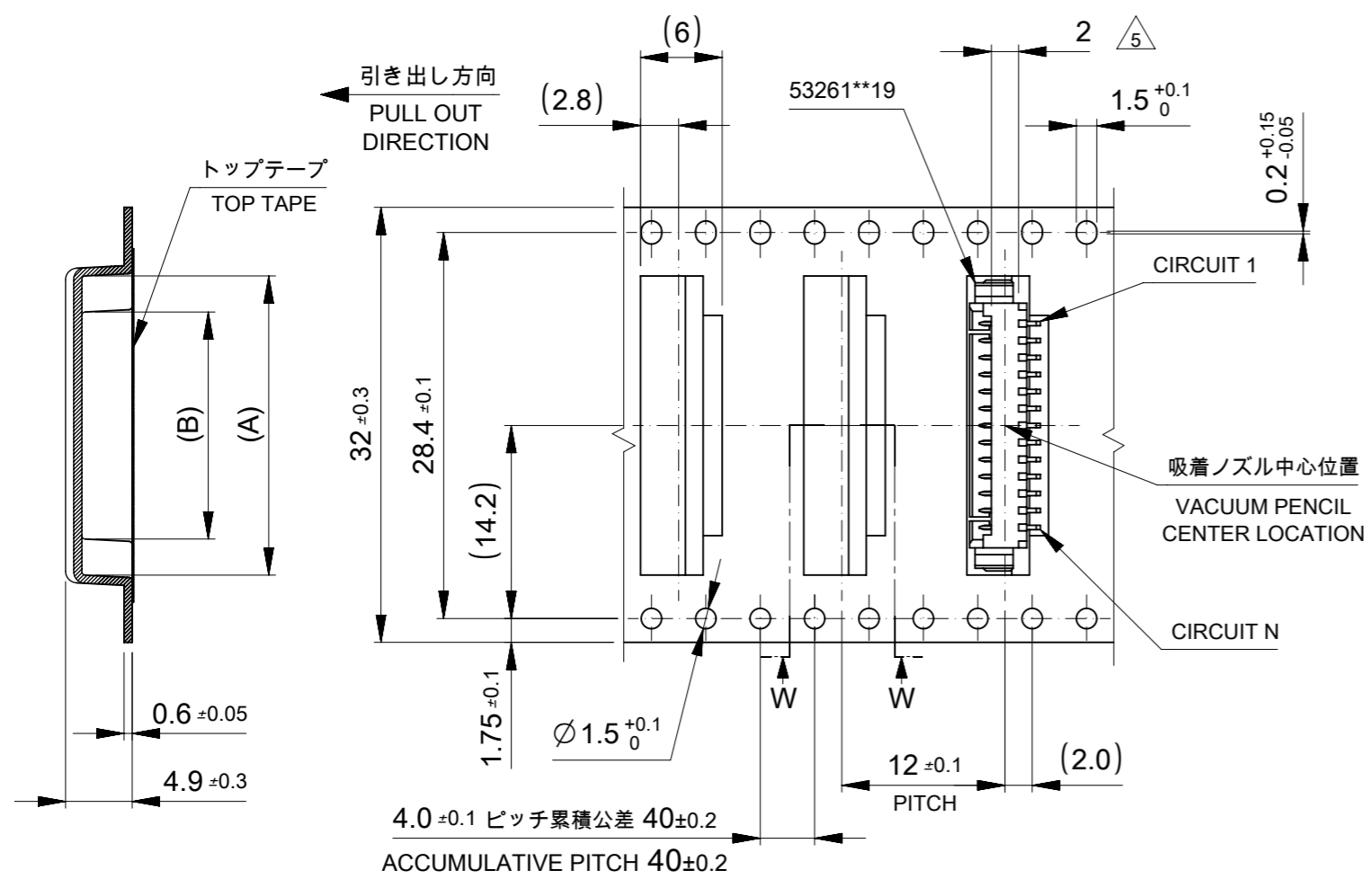
SECTION: Y-Y

16	21.4	17.4	3.7	9.5	532610371	3				
			2.45	8.25	532610271	2				
キャリアテープ幅 CARRIER TAPE WIDTH					D	C	B	A	EMBOSSED TAPE PACKAGE	極数
					オーダー番号 ORDER NO.		CIRCUIT			

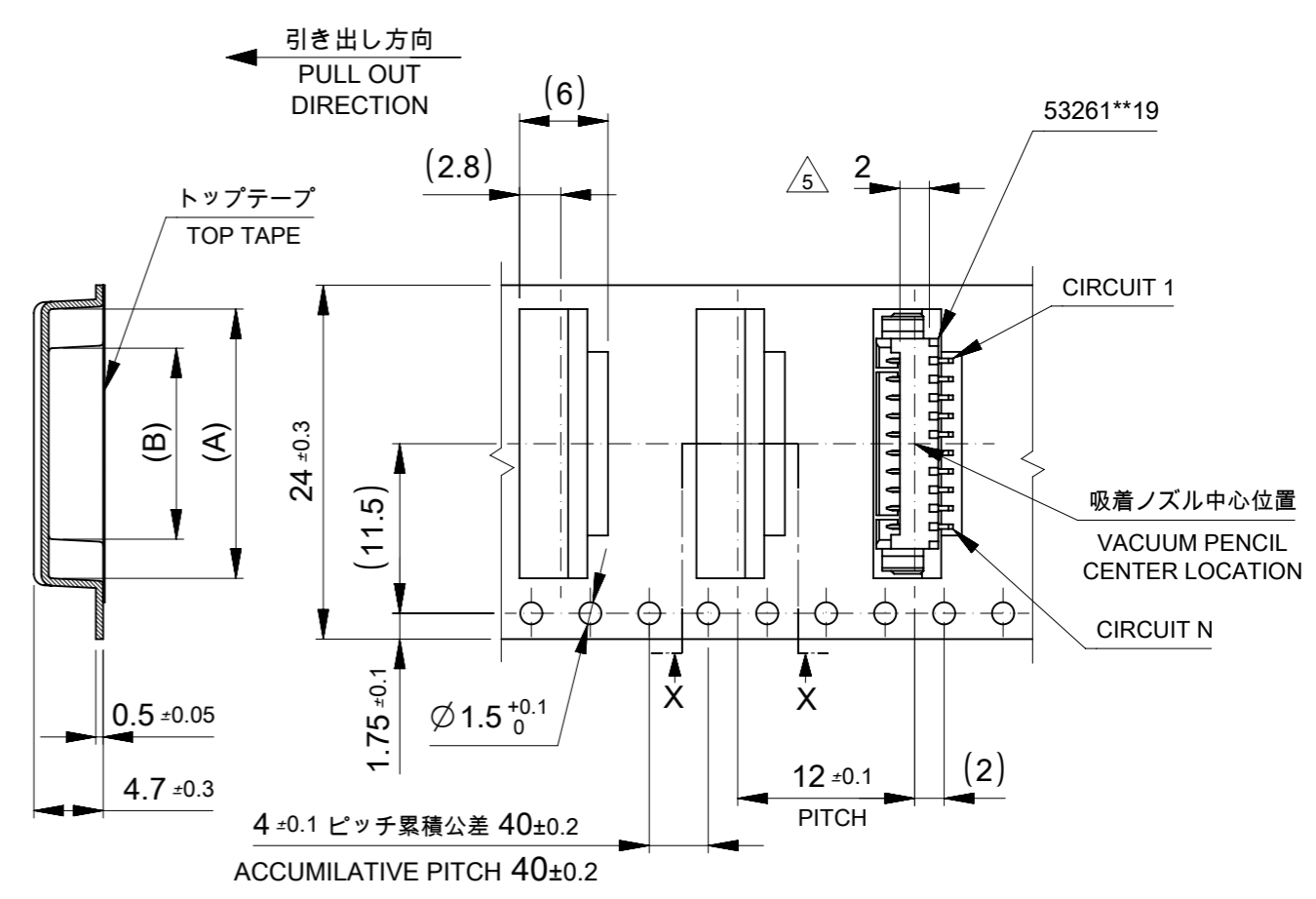
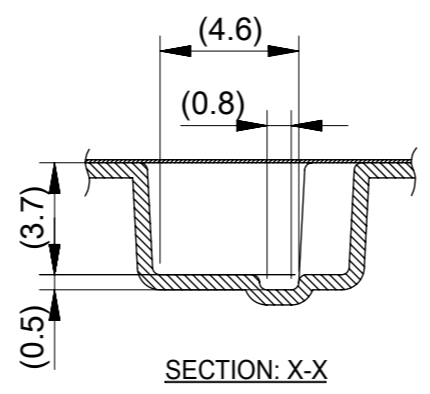
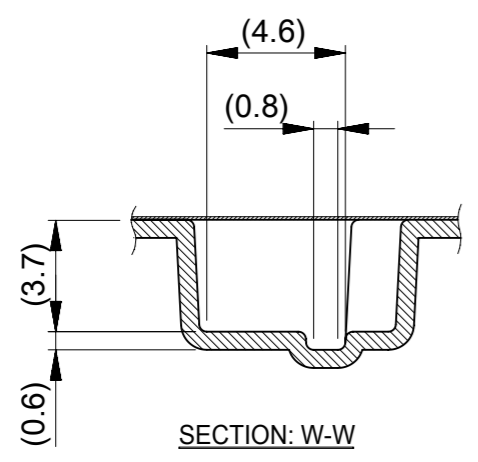
THIS DRAWING CONTAINS INFORMATION THAT IS PROPRIETARY TO MOLEX ELECTRONIC TECHNOLOGIES, LLC AND SHOULD NOT BE USED WITHOUT WRITTEN PERMISSION											
DIMENSION UNITS		SCALE		CURRENT REV DESC:							
mm		NTS		<p>PICOBLADE 1.25 W/B CONN. SMT R/A EMBOSSED TAPE PACKAGE</p> <p>PRODUCT CUSTOMER DRAWING</p>							
GENERAL TOLERANCES (UNLESS SPECIFIED)											
ANGULAR TOL ± 3.0 °											
4 PLACES ± 0.2											
3 PLACES ± 0.2											
2 PLACES ± 0.2											
1 PLACE ± 0.2											
0 PLACES ± 0.2				EC NO: 650782		DRWN: QHE31		2020/12/05		2020/12/07	
DRAFT WHERE APPLICABLE MUST REMAIN WITHIN DIMENSIONS				THIRD ANGLE PROJECTION		DRAWING		SERIES		DOCUMENT NUMBER	
				A3-SIZE		53261		SD-53261-023		PSD 001 G	
				MATERIAL NUMBER		CUSTOMER		SHEET NUMBER			
				SEE CHART		GENERAL MARKET		1 OF 4			



16mm幅キャリアテープ  
16mm WIDTH CARRIER TAPE



32mm幅キャリアテープ  
32mm WIDTH CARRIER TAPE

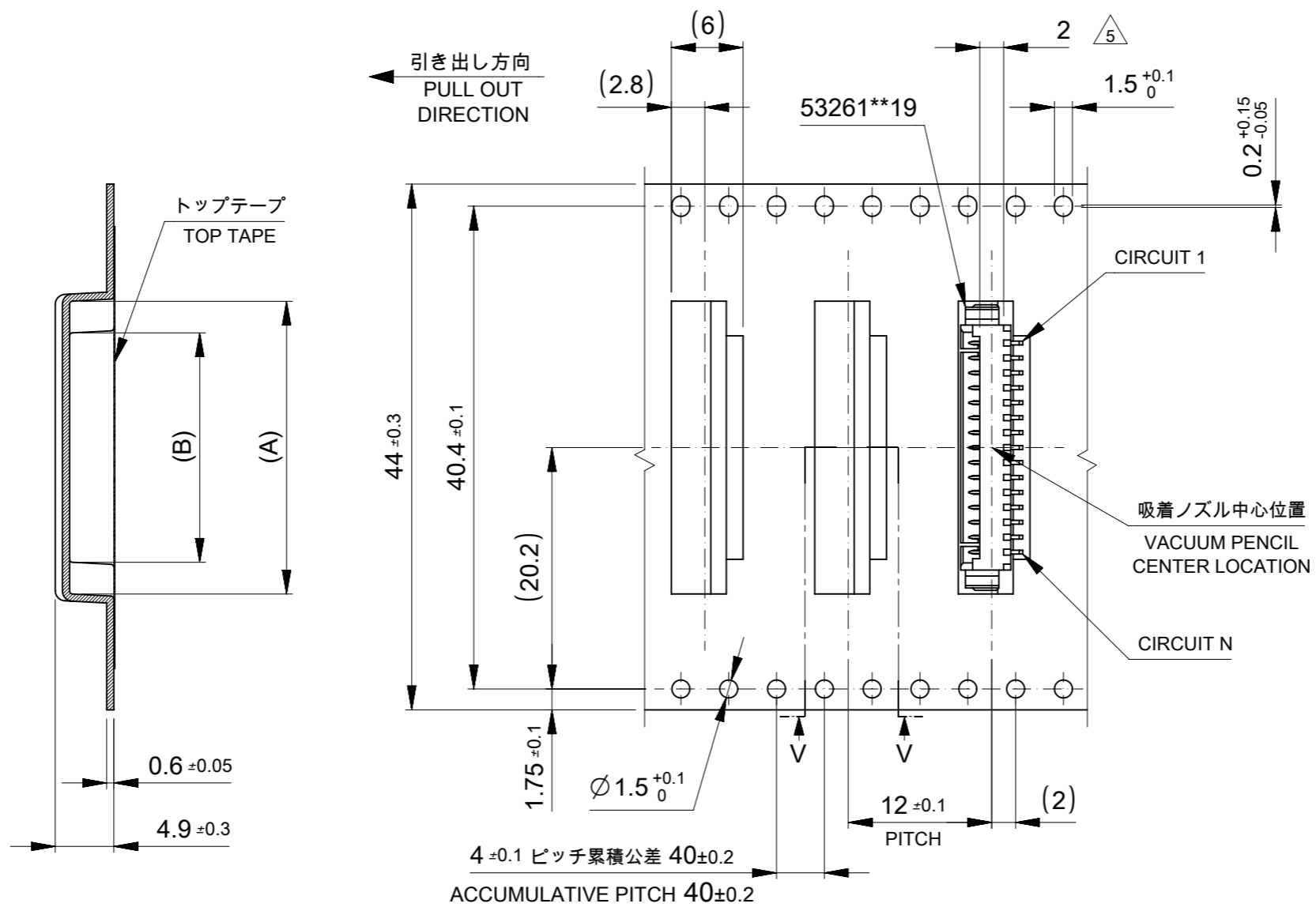


24mm幅キャリアテープ  
24mm WIDTH CARRIER TAPE

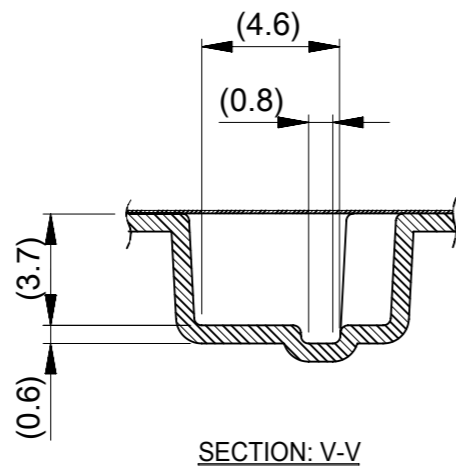
32	37.4	33.4	16.2	22	532611371	13	
			14.95	20.75	532611271	12	
			13.7	19.5	532611171	11	
24	29.4	25.4	12.45	18.25	532611071	10	
			11.2	17	532610971	9	
			9.95	15.75	532610871	8	
			8.7	14.5	532610771	7	
			7.45	13.25	532610671	6	
			6.2	12	532610571	5	
			4.95	10.75	532610471	4	
キャリアテープ幅 CARRIER TAPE WIDTH		D	C	B	A	EMBOSSD TAPE PACKAGE オーダー番号 ORDER NO.	極数 CIRCUIT

THIS DRAWING CONTAINS INFORMATION THAT IS PROPRIETARY TO MOLEX ELECTRONIC TECHNOLOGIES, LLC AND SHOULD NOT BE USED WITHOUT WRITTEN PERMISSION

DIMENSION UNITS <b>mm</b>	SCALE <b>NTS</b>	CURRENT REV DESC:		<b>molex</b>		
GENERAL TOLERANCES (UNLESS SPECIFIED)	ANGULAR TOL ± 3.0°	EC NO: 650782				
4 PLACES ± 0.2	3 PLACES ± 0.2	DRWN: QHE31		2020/12/05		
2 PLACES ± 0.2	1 PLACE ± 0.2	CHK'D: SAKIYAMA		2020/12/07		
0 PLACES ± 0.2		APPR: KOMURAKAMI		2020/12/07		
		INITIAL REVISION:		PRODUCT CUSTOMER DRAWING		
		DRWN: HSHIMABUKURO		DOCUMENT NUMBER		
		APPR: MSASAO		SD-53261-023		
		2004/02/20		DOC TYPE DOC PART REVISION		
		2004/02/20		PSD 001 G		
DRAFT WHERE APPLICABLE MUST REMAIN WITHIN DIMENSIONS	THIRD ANGLE PROJECTION	DRAWING A3-SIZE	SERIES 53261	MATERIAL NUMBER SEE CHART	CUSTOMER GENERAL MARKET	SHEET NUMBER 2 OF 4



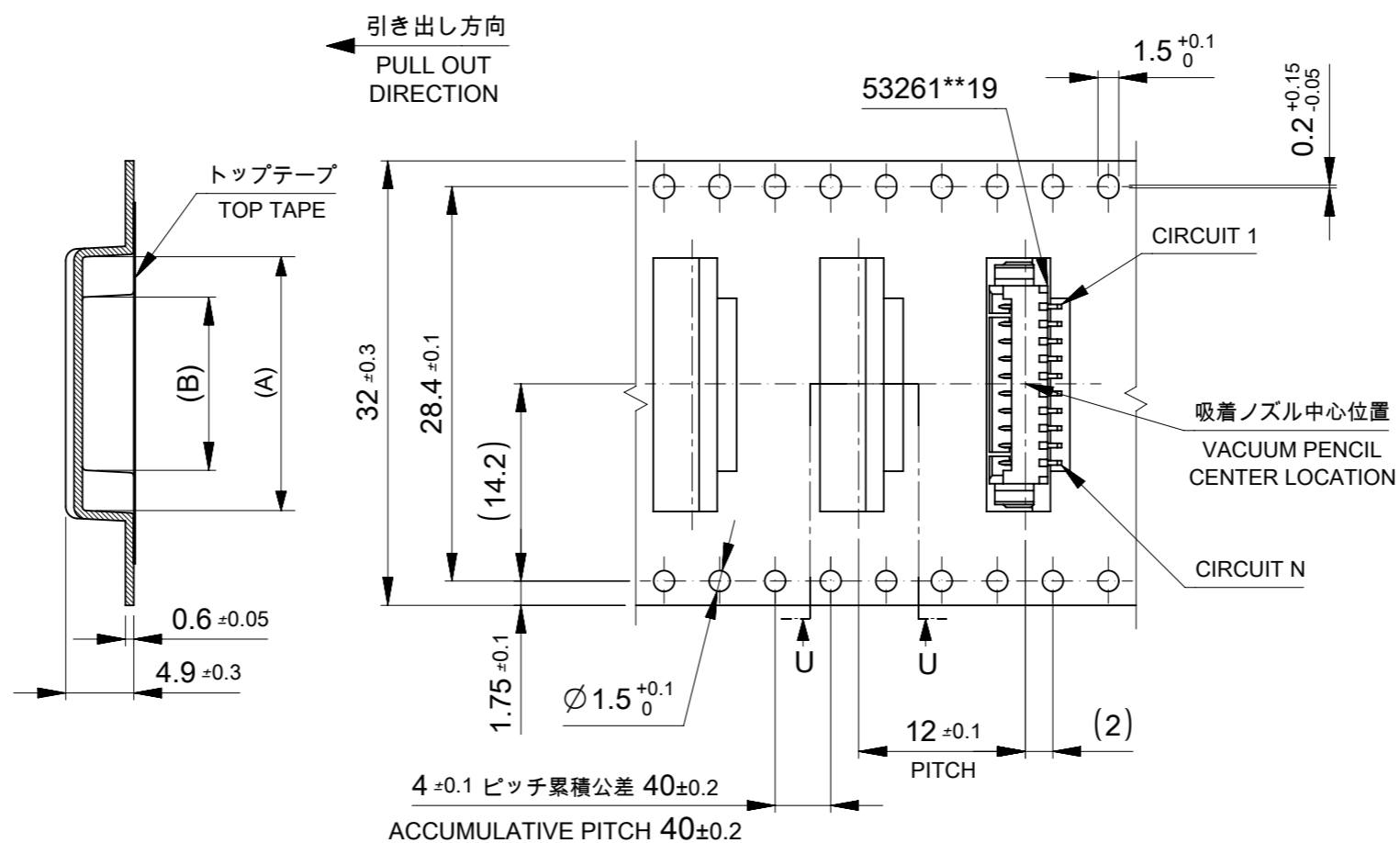
44mm幅キャリアテープ  
44mm WIDTH CARRIER TAPE



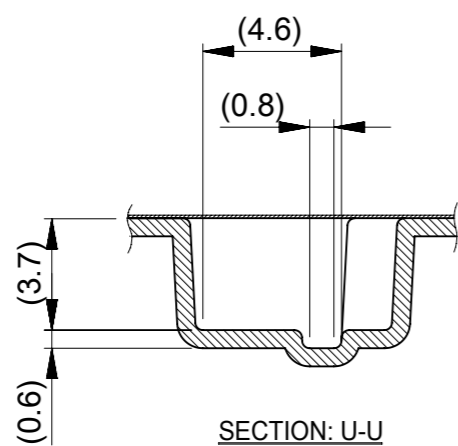
44	49.4	45.4	21.2	27	532611771	17
			18.7	24.5	532611571	15
			17.45	23.25	532611471	14
キャリアテープ幅 CARRIER TAPE WIDTH	D	C	B	A	EMBOSSED TAPE PACKAGE	極数 CIRCUIT
					オーダー番号 ORDER NO.	

THIS DRAWING CONTAINS INFORMATION THAT IS PROPRIETARY TO MOLEX ELECTRONIC TECHNOLOGIES, LLC AND SHOULD NOT BE USED WITHOUT WRITTEN PERMISSION		CURRENT REV DESC:		<b>molex</b>		
DIMENSION UNITS	SCALE					
mm	NTS			PRODUCT CUSTOMER DRAWING		
GENERAL TOLERANCES (UNLESS SPECIFIED)		EC NO: 650782		DOCUMENT NUMBER		
ANGULAR TOL ± 3.0°		DRWN: QHE31 2020/12/05		SD-53261-023		
4 PLACES ± 0.2		CHK'D: SAKIYAMA 2020/12/07		DOC TYPE DOC PART REVISION		
3 PLACES ± 0.2		APPR: KOMURAKAMI 2020/12/07		PSD 001 G		
2 PLACES ± 0.2		INITIAL REVISION:				
1 PLACE ± 0.2		DRWN: HSHIMABUKURO 2004/02/20				
0 PLACES ± 0.2		APPR: MSASAO 2004/02/20				
DRAFT WHERE APPLICABLE MUST REMAIN WITHIN DIMENSIONS		THIRD ANGLE PROJECTION	DRAWING	SERIES	MATERIAL NUMBER	CUSTOMER
			A3-SIZE	53261	SEE CHART	GENERAL MARKET
						SHEET NUMBER
						3 OF 4

532611071  
 韓国生産分に適用  
 APPLIES TO PRODUCT  
 PRODUCED BY MXK

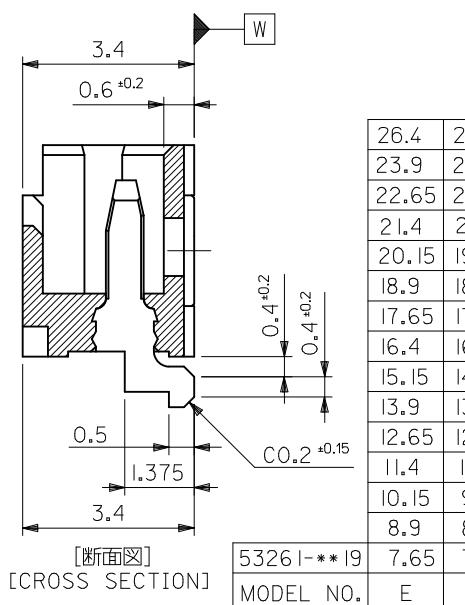
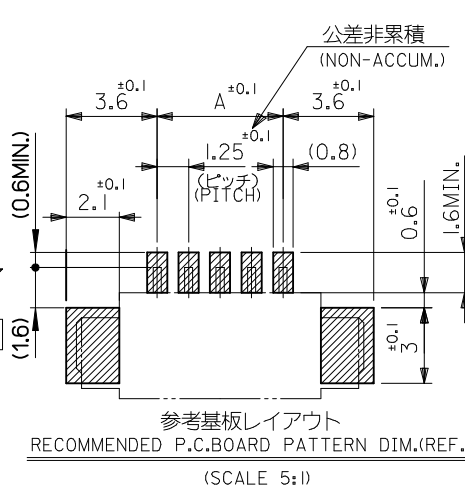
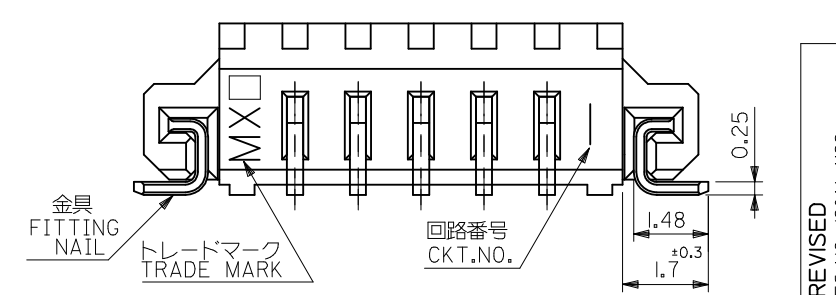
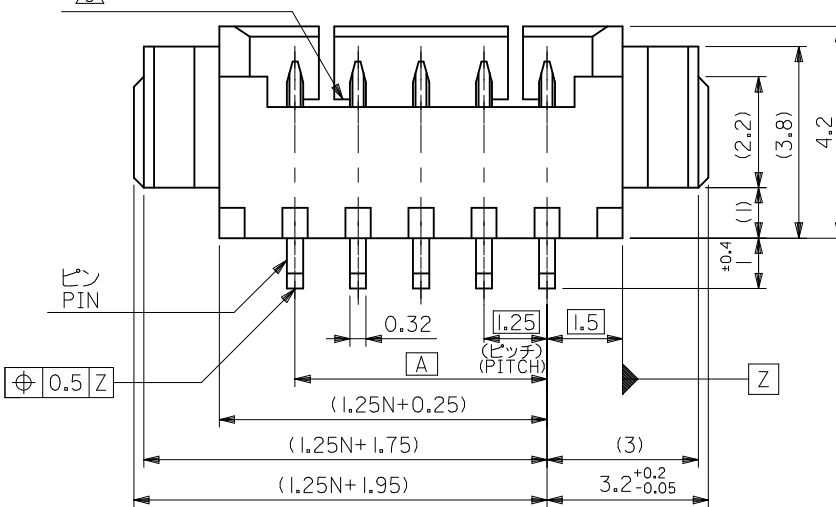
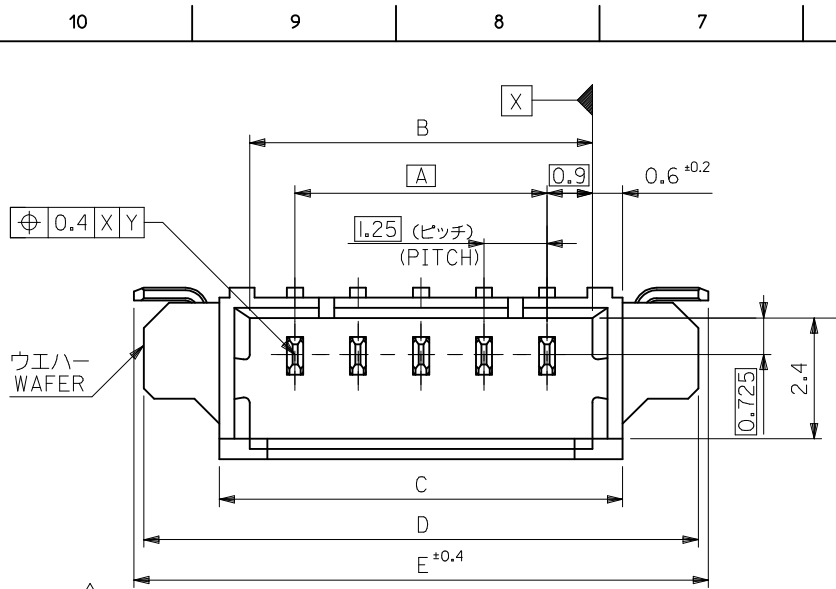


32mm幅キャリアテープ  
 32mm WIDTH CARRIER TAPE



32	37.4	33.4	12.45	18.25	532611071	10
キャリアテープ幅 CARRIER TAPE WIDTH	D	C	B	A	EMBOSSED TAPE PACKAGE	極数 CIRCUIT
					オーダー番号 ORDER NO.	

THIS DRAWING CONTAINS INFORMATION THAT IS PROPRIETARY TO MOLEX ELECTRONIC TECHNOLOGIES, LLC AND SHOULD NOT BE USED WITHOUT WRITTEN PERMISSION		CURRENT REV DESC:		<b>molex</b>			
DIMENSION UNITS	SCALE						
mm	NTS			PRODUCT CUSTOMER DRAWING			
GENERAL TOLERANCES (UNLESS SPECIFIED)		EC NO: 650782		DOCUMENT NUMBER			
ANGULAR TOL ± 3.0 °		DRWN: QHE31		DOC TYPE			
4 PLACES ± 0.2		CHK'D: SAKIYAMA		DOC PART			
3 PLACES ± 0.2		APPR: KOMURAKAMI		REVISION			
2 PLACES ± 0.2		INITIAL REVISION:		SD-53261-023			
1 PLACE ± 0.2		DRWN: HSHIMABUKURO		PSD			
0 PLACES ± 0.2		APPR: MSASAO		001			
DRAFT WHERE APPLICABLE MUST REMAIN WITHIN DIMENSIONS		THIRD ANGLE PROJECTION		DRAWING		SERIES	
		A3-SIZE		53261		SHEET NUMBER	
		SEE CHART		GENERAL MARKET		4 OF 4	



注記 NOTES

- 嵌合相手: 51021 シリーズ  
MATES WITH: 51021 SERIES
- 材質 MATERIAL  
ウエハー: NYLON46, UL94V-0  
ピン: リン青銅  
: PHOS-BRO  
: 銅メッキ 1.0 マイクロメートル以上  
: TIN 1.0 MICROMETER MINIMUM  
: ニッケル下地 1.0 マイクロメートル以上  
: NICKEL (UNDER PLATING) 1.0 MICROMETER MINIMUM  
金具  
FITTING NAIL: リン青銅  
: PHOS-BRO  
: 銅メッキ 1.0 マイクロメートル以上  
: TIN 1.0 MICROMETER MINIMUM  
: ニッケル下地 1.0 マイクロメートル以上  
: NICKEL (UNDER PLATING) 1.0 MICROMETER MINIMUM
- ロック窓は2、3極は1箇所、4極以上は2箇所とする。  
LOCKING WINDOW: ONE PLACE FOR 2 AND 3 CKT. AND TWO PLACES FOR MORE THAN 3 CKT.
- ソリダール部のスレ量及び金具(補強板)のスレ量は基準面 W に対し、上方向 0.05MAX.、下方向に 0.1 MAX. とする。  
OFFSET BETWEEN BASIS PLANE W TO SOLDER TAIL BOTTOM AND FITTING NAIL BOTTOM:  
UPPER SIDE: 0.05MAX.  
LOWER SIDE: 0.1MAX.
- 本製品は 53261-\*\*-10 の鉛フリー品である。  
THIS PRODUCT IS LEAD FREE OF 53261-\*\*10
- ELV及びRoHS適合品  
ELV AND RoHS COMPLIANT.
- ソルダーテール及び金具の平坦度は0.1以下。  
SOLDER TAIL & FITTING NAIL COPLANARITY TO BE 0.1 MAX.

26.4	26	23	21.8	20	53261-1771	53261-1719	17	
23.9	23.5	20.5	19.3	17.5	-1571	-1519	15	
22.65	22.25	19.25	18.05	16.25	-1471	-1419	14	
21.4	21	18	16.8	15	-1371	-1319	13	
20.15	19.75	16.75	15.55	13.75	-1271	-1219	12	
18.9	18.5	15.5	14.3	12.5	-1171	-1119	11	
17.65	17.25	14.25	13.05	11.25	-1071	-1019	10	
16.4	16	13	11.8	10	-0971	-0919	9	
15.15	14.75	11.75	10.55	8.75	-0871	-0819	8	
13.9	13.5	10.5	9.3	7.5	-0771	-0719	7	
12.65	12.25	9.25	8.05	6.25	-0671	-0619	6	
11.4	11	8	6.8	5	-0571	-0519	5	
10.15	9.75	6.75	5.55	3.75	-0471	-0419	4	
8.9	8.5	5.5	4.3	2.5	-0371	-0319	3	
53261-**-19	7.65	7.25	4.25	3.05	1.25	53261-0271	53261-0219	2
MODEL NO.	E	D	C	B	A	EMBOSSED TAPE PKG ORDER No.	MATERIAL NO.	極数 CKT.

REVISED EC NO: J2016-1122 DRWN: QHEJ1 CHKD: SAKIYAMA APPR: IKANEKO	2016/04/26	2016/05/06	2016/05/06	GENERAL TOLERANCES (UNLESS SPECIFIED)		DIMENSION STYLE		SCALE	DESIGN UNITS		THIRD ANGLE PROJECTION
	DESCRIPTION	0.25 UNDER	UNDER	±0.03	MM ONLY	DRAWN BY	DATE	TITLE	1.25 WIRE TO BOARD WAFER ASS FOR SMT		
		0.25 OVER	0.5 UNDER	±0.05	HS HIMABU	04/02/06					
		0.5 OVER	1.0 UNDER	±0.1	CHECKED BY	DATE					
	1.0 OVER	10 UNDER	±0.2	KTOJO	04/02/06						
	10 OVER	30 UNDER	±0.25	APPROVED BY	DATE			molex			
	30 OVER		±0.3	MSASAO	04/02/06						
	ANGULAR	±3 °		MATERIAL NO.	DOCUMENT NO.	SEE CHART		SD-53261-024	SHEET NO.		
	DRAFT WHERE APPLICABLE MUST REMAIN WITHIN DIMENSIONS			SIZE	THIS DRAWING CONTAINS INFORMATION THAT IS PROPRIETARY TO MOLEX ELECTRONIC TECHNOLOGIES, LLC AND SHOULD NOT BE USED WITHOUT WRITTEN PERMISSION						