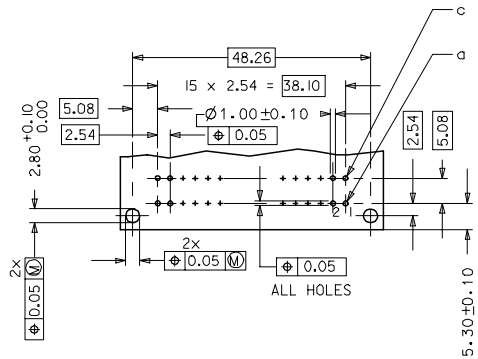
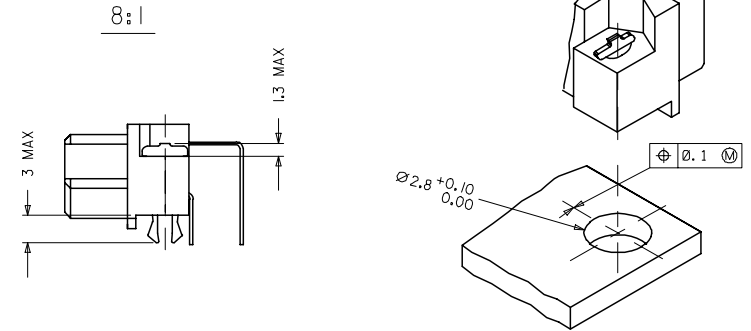


RECOMMENDED PCB LAYOUT
COMPONENT SIDE



WITH MOUNTING CLIPS



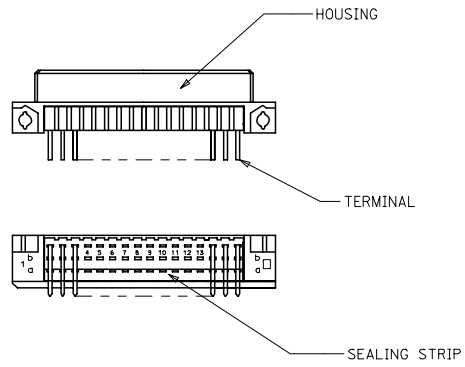
- NOTES:
- MATERIALS: THERMOPLASTIC POLYESTER, GLASS FILLED, UL94V-0. COLOUR: PEBBLE GREY RAL 7032
TERMINAL - PHOSPHOR BRONZE
MOUNTING CLIP: STEEL
 - FINISH: TERMINAL:-
CONTACT AREA
1. PERFORMANCE LEVEL 1: SELECTIVE GOLD (Au), THICKNESS = 1.1 MICROMETER OVER NICKEL, THICKNESS = 1.25 MICROMETER
2. PERFORMANCE LEVEL 2: SELECTIVE GOLD (Au), THICKNESS = 0.6 MICROMETER OVER NICKEL, THICKNESS = 1.25 MICROMETER
3. PERFORMANCE LEVEL 3: SELECTIVE GOLD (Au), THICKNESS = 0.3 MICROMETER OVER NICKEL, THICKNESS = 1.25 MICROMETER
TERMINATION AREA:
SELECTIVE TIN, THICKNESS = 2.5 MICROMETER OVER NICKEL, THICKNESS = 1.25 MICROMETER OVERALL
 - MOUNTING CLIP:-
TIN (Sn), THICKNESS = 5-10 MICROMETER, OVER NICKEL (Ni), THICKNESS = 2.5 MICROMETER
 - FOR NON MOUNTING CLIP OPTION, CONNECTOR TO BE SECURED WITH RIVETS: 2 TUBULAR RIVETS 2.5 x 0.3 ... DIN 7340
SCREWS: 2 CHEESEHEAD SCREWS M2.5 x ... DIN 84 AND 2 HEXAGONAL NUTS M2.5 DIN 934
 - MATERIAL NUMBER, BATCH CODE, UL AND CSA MARKING TO BE PRINTED ON THE CONNECTOR
 - CUT FACE OF TIP WITHOUT PLATING PERMITTED
 - PRODUCT SPECIFICATION : PS-36509-001

RoHS COMPLIANT

EC No: P007-0044 DRWNGSATTI/MARAD 2006/10/10 CHKDSSDHR 2006/10/11 APPR:SSDHR 2006/10/15	QUALITY SYMBOLS ▽=0 ▽=0	GENERAL TOLERANCES (UNLESS SPECIFIED)		DIMENSION STYLE MM ONLY	SCALE 2:1	DESIGN UNITS METRIC	THIRD ANGLE PROJECTION
		4 PLACES ± --- ± --- 3 PLACES ± 0.05 ± --- 2 PLACES ± 0.1 ± --- 1 PLACE ± 0.15 ± ---	INCH ± --- ± --- ± ---	DRAWN BY SS DATE 1999/09/24	CHECKED BY GJLOWE DATE 1999/09/24	APPROVED BY GJLOWE DATE 1999/09/24	MATERIAL NO. SEE CHART
DRAFT WHERE APPLICABLE MUST REMAIN WITHIN DIMENSIONS		THIS DRAWING CONTAINS INFORMATION THAT IS PROPRIETARY TO MOLEX INCORPORATED AND SHOULD NOT BE USED WITHOUT WRITTEN PERMISSION					

	20	19	18	17	16	15	14	13	12	11	10	9	8	7	6	5	4	3	2	1
	MATERIAL No	MOLEX ENG No	PERF LEVEL	PLATING	CONTACT SEQUENCE/ROW	MOUNTING CLIP	SEALING STRIP													
M	36510-0025	MM-B2400-R483	1	Au+Ni	1,2,3....16 a+c	NO	NO													
	36510-0026	MM-B2500-R483	2	Au+Ni	1,2,3....16 a+c	NO	NO													
	36510-0027	MM-B2600-R483	3	Au+Ni	1,2,3....16 a+c	NO	NO													
L																				
	36510-0031	MM-B2400-R413	1	Au+Ni	1,2,3....16 a+c	YES	NO													
	36510-0032	MM-B2500-R413	2	Au+Ni	1,2,3....16 a+c	YES	NO													
K	36510-0033	MM-B2600-R413	3	Au+Ni	1,2,3....16 a+c	YES	NO													
	36510-0037	MM-B2400-R483-101	1	Au+Ni	1,2,3....16 a+c	NO	YES													
J	36510-0038	MM-B2500-R483-101	2	Au+Ni	1,2,3....16 a+c	NO	YES													
	36510-0039	MM-B2600-R483-101	3	Au+Ni	1,2,3....16 a+c	NO	YES													
	36510-0043	MM-B2400-R413-101	1	Au+Ni	1,2,3....16 a+c	YES	YES													
	36510-0044	MM-B2500-R413-101	2	Au+Ni	1,2,3....16 a+c	YES	YES													
	36510-0045	MM-B2600-R413-101	3	Au+Ni	1,2,3....16 a+c	YES	YES													
H																				

CONNECTOR WITH SEALING STRIP



RoHS COMPLIANT

EC No: 2007-0044 DRAWING: DRWINGATTI/MARAD 2006/10/10 CHECKED BY: CHKRSUDHIR 2006/10/11 APPROVED BY: APPR33UDHIR 2006/10/15	QUALITY SYMBOLS	GENERAL TOLERANCES (UNLESS SPECIFIED)	DIMENSION STYLE	SCALE	DESIGN UNITS	THIRD ANGLE PROJECTION																	
	$\nabla=0$ $\nabla=0$	<table border="1"> <tr> <th></th> <th>mm</th> <th>INCH</th> </tr> <tr> <td>4 PLACES</td> <td>± 0.05</td> <td>± 0.002</td> </tr> <tr> <td>3 PLACES</td> <td>± 0.05</td> <td>± 0.002</td> </tr> <tr> <td>2 PLACES</td> <td>± 0.1</td> <td>± 0.004</td> </tr> <tr> <td>1 PLACE</td> <td>± 0.15</td> <td>± 0.005</td> </tr> </table>		mm	INCH	4 PLACES	± 0.05	± 0.002	3 PLACES	± 0.05	± 0.002	2 PLACES	± 0.1	± 0.004	1 PLACE	± 0.15	± 0.005	MM ONLY	2:1	METRIC			
		mm	INCH																				
	4 PLACES	± 0.05	± 0.002																				
3 PLACES	± 0.05	± 0.002																					
2 PLACES	± 0.1	± 0.004																					
1 PLACE	± 0.15	± 0.005																					
DESCRIPTION	DRAFT WHERE APPLICABLE MUST REMAIN WITHIN DIMENSIONS	<table border="1"> <tr> <th>DRAWN BY</th> <th>DATE</th> <th>TITLE</th> </tr> <tr> <td>SS</td> <td>1999/09/24</td> <td>ASSEMBLY, DIN 41612 R/2 FEMALE, 32 POS A+C LOADED</td> </tr> <tr> <th>CHECKED BY</th> <th>DATE</th> <th></th> </tr> <tr> <td>GJLOWE</td> <td>1999/09/24</td> <td></td> </tr> <tr> <th>APPROVED BY</th> <th>DATE</th> <th></th> </tr> <tr> <td>GJLOWE</td> <td>1999/09/24</td> <td></td> </tr> </table>	DRAWN BY	DATE	TITLE	SS	1999/09/24	ASSEMBLY, DIN 41612 R/2 FEMALE, 32 POS A+C LOADED	CHECKED BY	DATE		GJLOWE	1999/09/24		APPROVED BY	DATE		GJLOWE	1999/09/24		MOLEX INCORPORATED		
DRAWN BY	DATE	TITLE																					
SS	1999/09/24	ASSEMBLY, DIN 41612 R/2 FEMALE, 32 POS A+C LOADED																					
CHECKED BY	DATE																						
GJLOWE	1999/09/24																						
APPROVED BY	DATE																						
GJLOWE	1999/09/24																						
REV	D1	SIZE	SEE CHART	MATERIAL NO.	DOCUMENT NO.	SHEET NO.																	
		A1			SD-36510-002	2 OF 2																	