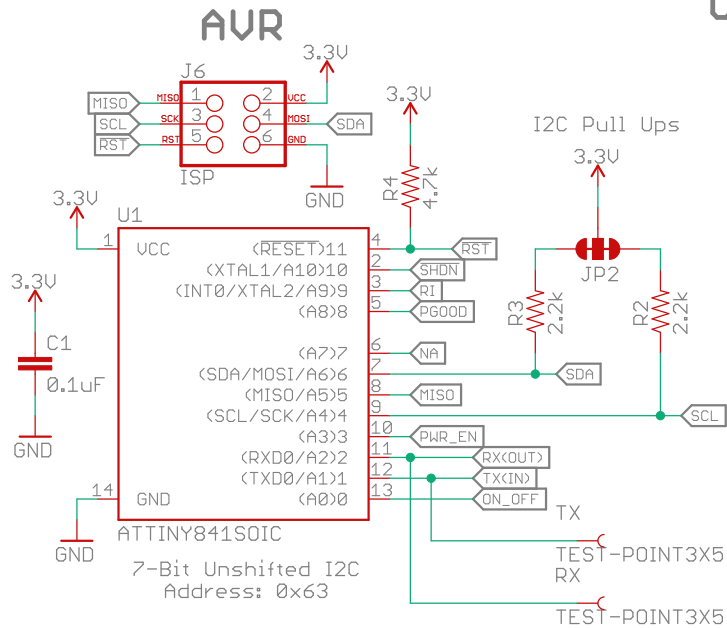
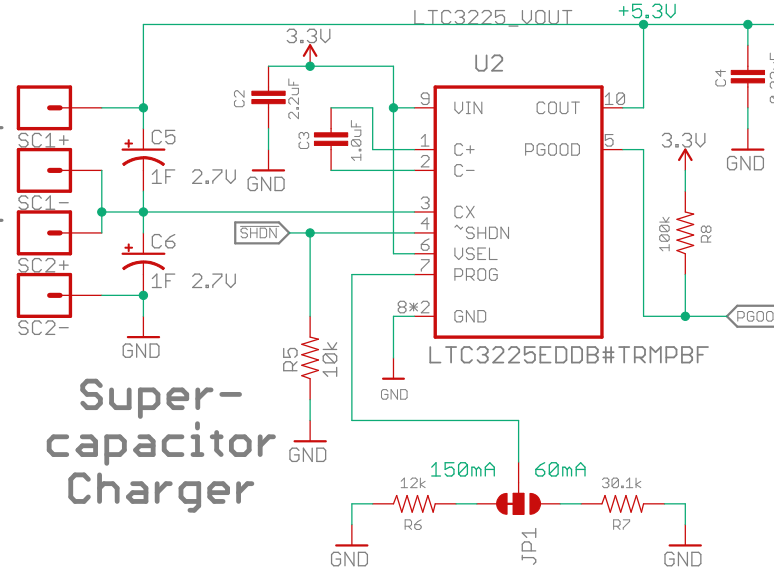
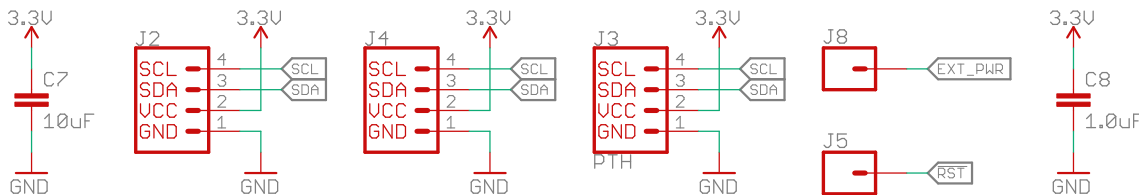
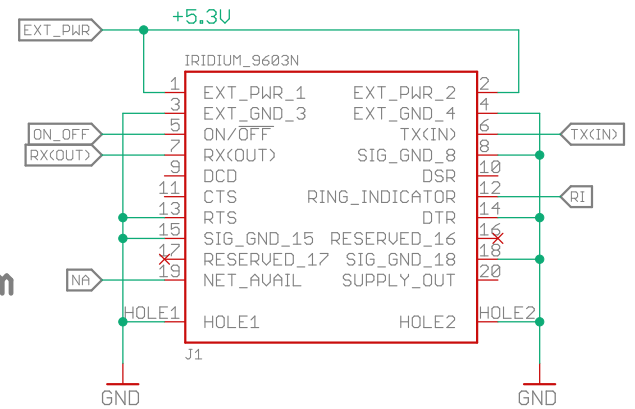
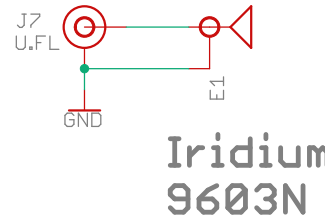


Pads for extra 10F supercaps

Super-capacitor Charger



For a 1.55mm PCB, 50 Ohm antenna trace should be 32 mil with 4 mil gap



Released under the Creative Commons Attribution Share-Alike 4.0 License https://creativecommons.org/licenses/by-sa/4.0/		
TITLE: Qwiic_Iridium_9603N		
Design by: Paul Clark Based on the Qwiic MP3 Trigger and Qwiic GPS-RTK2 by N. Seidle		REV: V3
Date: 10/28/2019	Sheet: 1/1	