

# Connector Solutions M23 Elite Series

STEP 1  
Choose Plug

STEP 2  
Choose Receptacle

## Plugs



## Plug Kits



## Receptacles



## Receptacle Kits



See page 14 for connector configurations

## Receptacle Extension



**BULK CABLE**  
starts on page  
23

SEE TABLE ON NEXT PAGE FOR PART DETAILS

Complete datasheets can be found at [www.amphenol-sine.com](http://www.amphenol-sine.com)



**6 POSITIONS**  
**28A / 630V**  
**Checkmate™**

**Number of Contacts: 6    Contact Size: 2.0mm**  
 Sealing: IP66/67    AWG: 18-14 (0.75 - 2.5 mm<sup>2</sup>)



CONNECTOR SOLUTIONS

## Connector Part Numbers

Part Number	Connector Type	Contact Type male = pin female = socket	Figure Drawings
	PLUGS		
MB5CKN0600-S1	Plug, straight, <b>Checkmate™</b> 7.0-11.0mm cord grip	Socket	1
MB5CKN0600-S1-KIT	Plug kit, straight, <b>Checkmate™</b> 7.0-11.0mm cord grip	Socket	1
MB5CKN0600-S2	Plug, straight, <b>Checkmate™</b> 11.0-14.5mm cord grip	Socket	1
MB5CKN0600-S2-KIT	Plug kit, straight, <b>Checkmate™</b> 11.0-14.5mm cord grip	Socket	1
MB5CKN0600-S3	Plug, straight, <b>Checkmate™</b> 14.5-17.0mm cord grip	Socket	1
MB5CKN0600-S3-KIT	Plug kit, straight, <b>Checkmate™</b> 14.5-17.0mm cord grip	Socket	1
↑ Contacts supplied separately see Chart 1 page 108			

Part Number	Connector Type	Contact Type male = pin female = socket	Figure Drawings
	RECEPTACLES		
MB5RJN0601	Receptacle, 90° rotatable, <b>Checkmate™</b> Standard Flange (25.7x25.7)	Pin	2
MB5RJN0601-KIT	Receptacle Kit, 90° rotatable, <b>Checkmate™</b> Standard Flange (25.7x25.7)	Pin	2
MB5RJN0602	Receptacle, 90° rotatable, <b>Checkmate™</b> Large Flange (28.0x28.0)	Pin	3
MB5RJN0602-KIT	Receptacle Kit, 90° rotatable, <b>Checkmate™</b> Large Flange (28.0x28.0)	Pin	3
MB5JJN0600-S1	Receptacle Extension, <b>Checkmate™</b> , 7.5-11.0mm Cable OD Range	Pin	4
MB5JJN0600-S2	Receptacle Extension, <b>Checkmate™</b> , 11.0-14.5mm Cable OD Range	Pin	4
MB5JJN0600-S3	Receptacle Extension, <b>Checkmate™</b> , 14.5-17.0mm Cable OD Range	Pin	4
↑ Contacts supplied separately see Chart 2 page 108			
MB2LLN0600*	Receptacle, straight flange mount, <b>Checkmate™</b>	Pin	5

\*Standard Series receptacles are offered here as additional options for mating with Elite Series plugs.  
 See Assembly Instructions starting on page 266

**Style:**    **Number of Contacts:** 6    **Contact Size:** 2.0mm

**Sealing:** IP66/67    **AWG:** 18-14 (0.75 - 2.5 mm<sup>2</sup>)

Connector Part Numbers continued

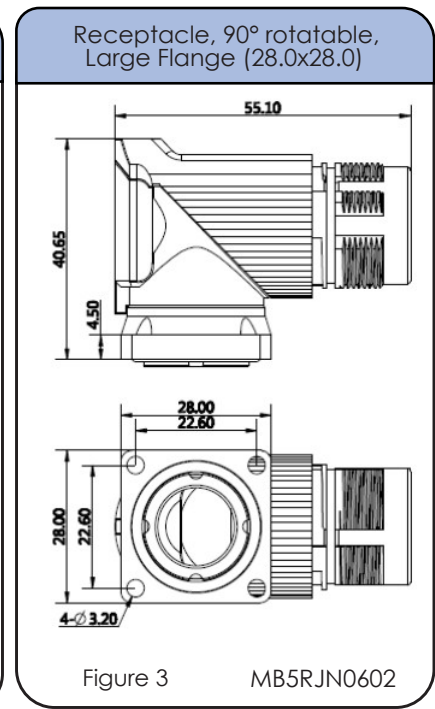
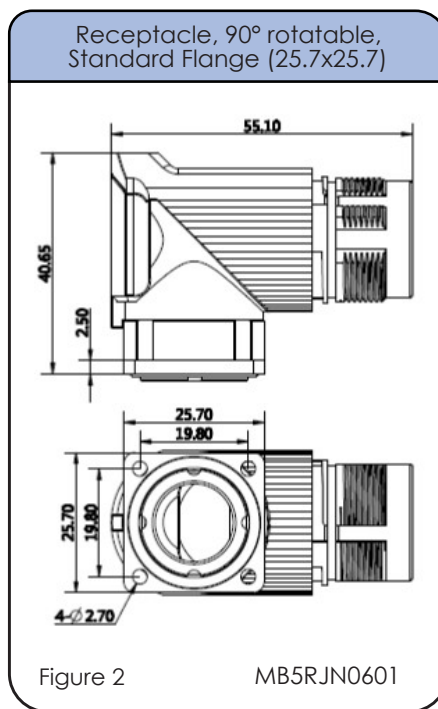
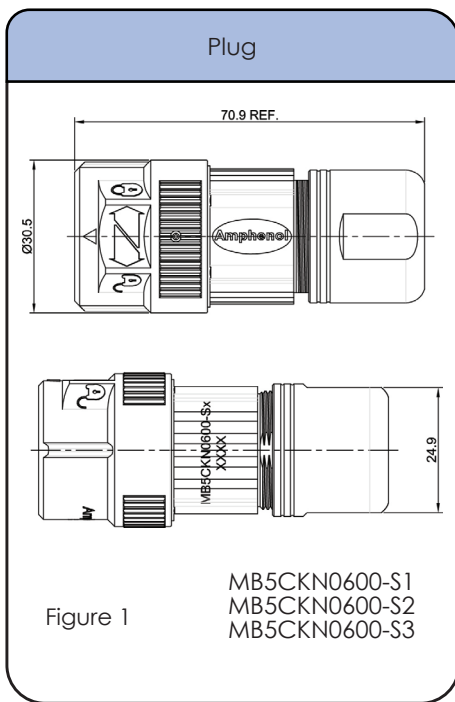
Part Number	Connector Type RECEPTACLES	Contact Type male = pin female = socket	Figure Drawings
MB2LLN0600-KIT*	Receptacle kit, straight, <b>Checkmate™</b> Kit includes contacts	Pin	5
MB2LKN0600*	Receptacle, straight, <b>Checkmate™</b>	Pin	6

↑ Contacts supplied separately see Chart 3 page 108

## Dimensions

See Chart 1 for contacts options

See Chart 2 for contacts options for 90° Rotatable Receptacles



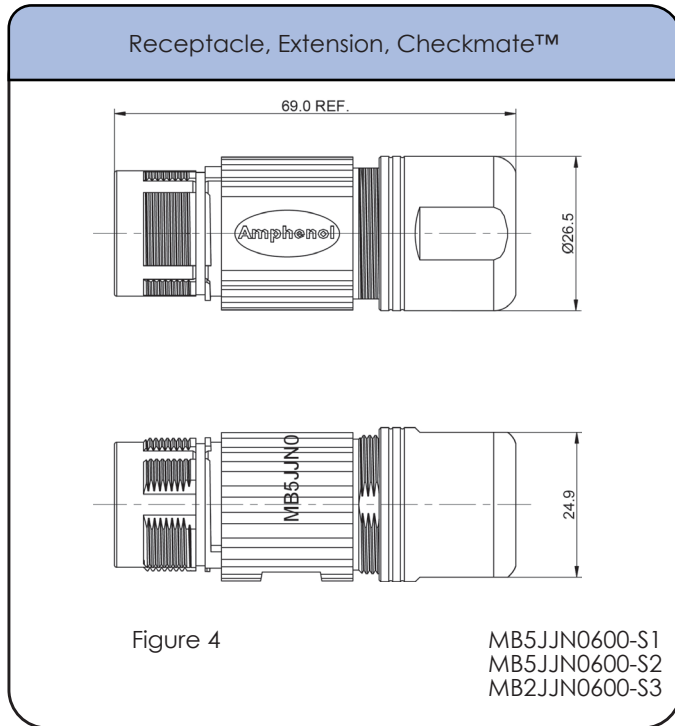


**6 POSITIONS**  
**28A / 630V**  
**Checkmate™**

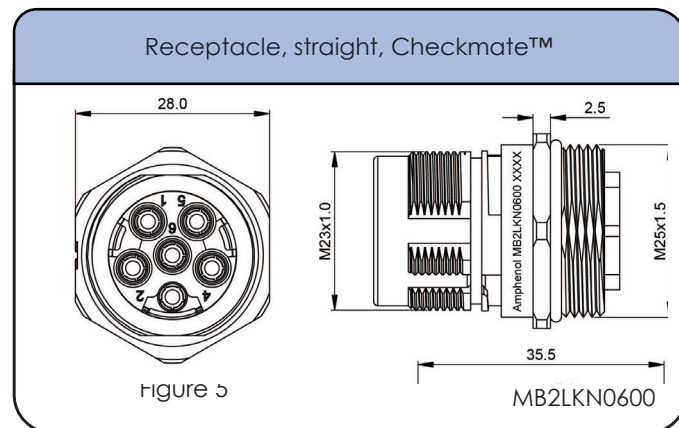
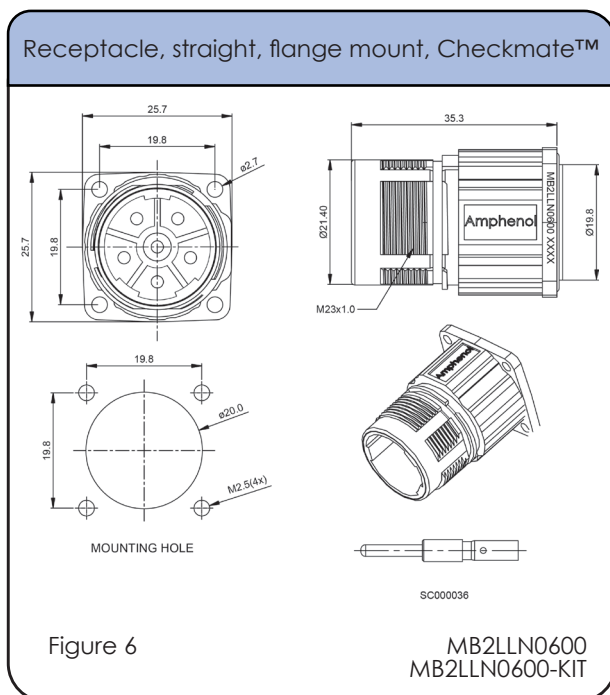
**Style:**    **Number of Contacts:** 6    **Contact Size:** 2.0mm  
**Sealing:** IP66/67    **AWG:** 18-14 (0.75 - 2.5 mm<sup>2</sup>)

## Dimensions

See Chart 2 for contacts options



See Chart 3 for contacts options



**Style:**    **Number of Contacts:** 6    **Contact Size:** 2.0mm

Sealing: IP66/67    AWG: 18-14 (0.75 - 2.5 mm<sup>2</sup>)

## Contacts



### CHART 1 Crimp Contacts, Machined

For parts: MB5CKN0600-S1, MB5CKN0600-S2, MB5CKN0800-S3

Part #	Size	Type	AWG	mm <sup>2</sup>	Plating
SC000260	2.0mm	Socket	18-20	2.5 - 0.5	Gold

### CHART 2 Crimp Contacts, Machined

For parts: MB5RJN0601, MB5RJN0602, MB5JJN0600-S1, S2, S3

Part #	Size	Type	AWG	mm <sup>2</sup>	Plating
SC000262	2.0mm	Pin	18-14	0.75 - 2.5	Gold

### CHART 3 Crimp Contacts, Machined

For Parts: MB2LLN0600, MB2LKN0600, MB2LLN0600-KIT

Part #	Size	Type	AWG	mm <sup>2</sup>	Plating
SC000036	2.0mm	Pin	18-14	1.5 - 0.75	Gold



6 POSITIONS  
28A / 630V  
Checkmate™

**Style:**    **Number of Contacts:** 6    **Contact Size:** 2.0mm  
**Sealing:** IP66/67    **AWG:** 18-14 (0.75 - 2.5 mm<sup>2</sup>)

## Tools & Accessories

Universal hand crimp tool. Uses universal positioner part no. UH2-5\*  
Wire Range 12-26AWG

AF8

Pneumatic crimp tool. Uses universal positioner part no. UH2-5\*  
Wire Range 12-26AWG

WA27F

Extraction tool. Used for removal of 2.0mm contacts from inserts.

50-54931-2

Universal positioner is used with the universal hand crimp tool (AF8).  
Wire range 12-26AWG

UH2-5

Dust Cap

P29687

Dust Cap for Plug, Checkmate™

P31661-06

\* The universal positioner is not included with the crimp tools and must be ordered separately.

\* The extraction tool is only required to remove contacts from part numbers beginning with MB2