

1

2

3

4

5

6

7

A

B

C

D

E

F

G

H

A

B

C

D

E

F

G

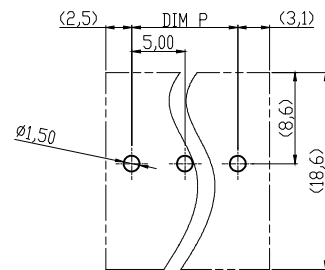
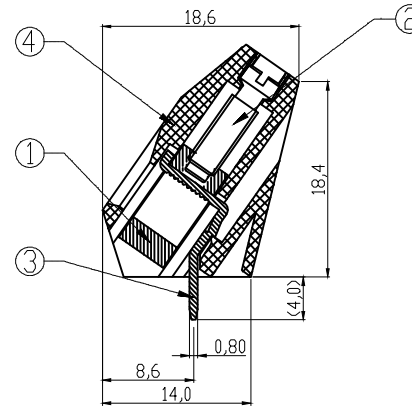
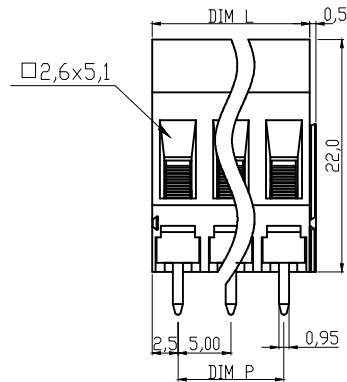
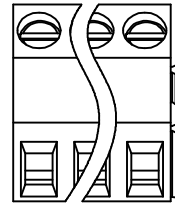
H

Material

- ① Clamp: Brass, Ni plated
- ② Terminal screw: Steel Zinc plating "-" slot type
- ③ Wire guard solder pin: Tin plated
- ④ Terminal housing: Thermoplastic (UL94V-0), GREY

Electrical cULus

Voltage rating: 300VAC
 Current rating: 10A
 Wire range:
 Solid wire(AWG): 12-24
 Stranded wire(AWG): 12-24
 Torque(Lb-In): 3.5
 Screw: M3
 Wire strip length: 6-7mm
 Withstanding Voltage: 1.6KV
 Operating temperature: -40°C to +115°C
 Soldering temperature: 250°C±10°C/5 Sec
 Safety Approval:



RECOMMENDER PCB LAYOUT

DIMENSION

L	Nx5.0
P	(N-1)x5.0

N=Number of poles

Poles	Tolerance	
	DIM L	DIM P
2p-6p	±0.15	±0.15
7p-12p	±0.20	±0.20
13p-18p	±0.25	±0.25
19p-24p	±0.30	±0.30

RoHS compliant
Unit: mm



File No.: E349947

Scale	1:1				Date	Name	Customer-No.
TOLERANCE					Drawn	Alex	ASSMANN WSW-No. A-TB500-TPxx
X.	±0.50				Approved	Hellwig	
X.X	±0.30						Drawing-No.
X.XX	±0.10						ASS 4103 CO
DIM	TOL	① Add UL	18.04.2016	Joanna			rev01
X.°	±1°	② Drawn	19.04.2010	Alex			
Angle	TOL	Id.	Modification	Date	Name	Replace	Sheet

1

2

3

4

5

6

7