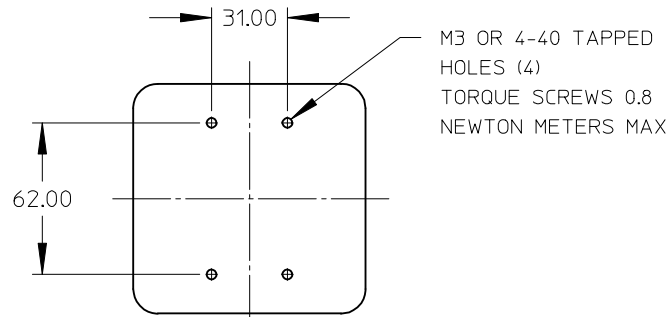
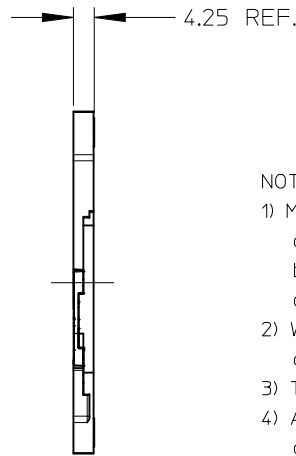
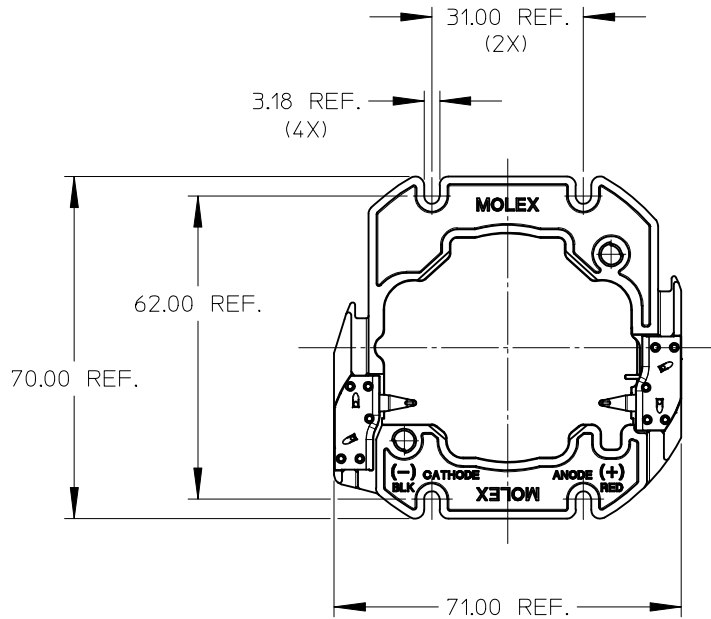
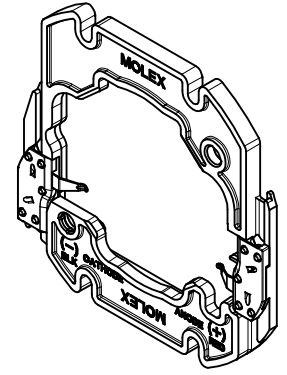


10	9	8	7	6	5	4	3	2	1
PART NUMBER	DESCRIPTION	SEE SHEET	STATUS						
180180-0000	HOLDER WITHOUT LENS	3	TOOLED						
180180-0001	HOLDER WITH LENS	3	NOT TOOLED						
180182-0000	COVER LENS ONLY	3	NOT TOOLED						
N/A	REFLECTOR OPTION (LEDIL)	4	AVAILABLE THRU LEDIL						



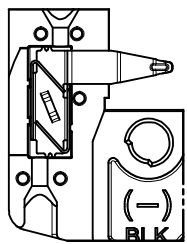
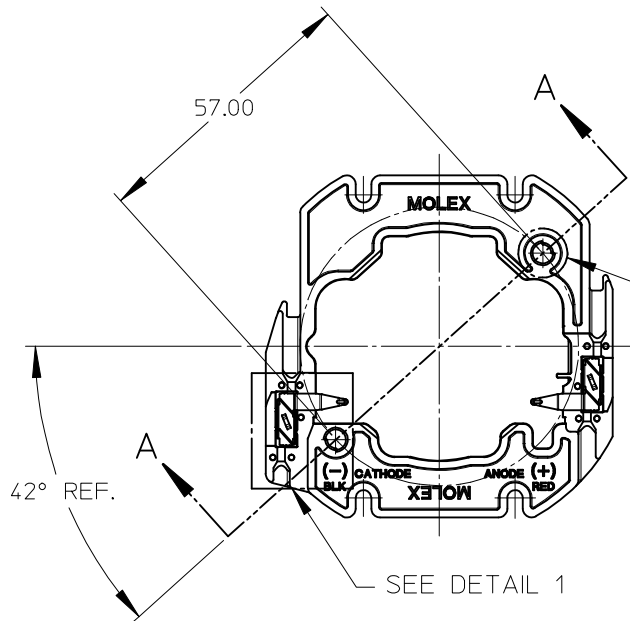
RECOMMENDED MOUNTING DIMENSIONS (NTS)

NOTES:

- 1) MATERIALS:
 - a. CAPS: NATURAL COLOR PA66 NYLON 25% GF UL94V-0
 - b. HOUSING: NATURAL COLOR PA66 NYLON 25% GF UL94V-0
 - c. COVER LENS: CLEAR POLYCARBONATE UL 94HB
- 2) WIRE TRAP TERMINALS: COPPER ALLOY
 - a. FINISH: SILVER OVER NICKEL
- 3) THIS PRODUCT IS ELV AND ROHS COMPLIANT
- 4) APPLICABLE WIRE GAUGE - 18 OR 20 AWG
 - a. SOLID WIRE IS RECOMMENDED
 - b. IF STRANDED WIRE IS USED, PRE-TINNED IS RECOMMENDED
 - c. 1 cm STRIP LENGTH IS RECOMMENDED
- 5) MOUNT HOLDER USING M3 OR 4-40 SCREWS (4), 0.8 NEWTON METERS MAX TORQUE
- 6) CONTACT AREA OF TERMINAL HAS AN ENVIRONMENTAL BARRIER/LUBRICANT FOR CORROSION RESISTANCE
- 7) UL:0LFB2 UL496 FILE: E345583.

ENTER DESCRIPTION EC NO: SSL2016-0054 DRWNL:ZAB.JANOVSKI 2016/03/29 CHKD: APPR:GMEYER 2016/04/11 REV	QUALITY SYMBOLS	GENERAL TOLERANCES (UNLESS SPECIFIED)	DIMENSION STYLE	SCALE	DESIGN UNITS	THIRD ANGLE PROJECTION
	▽F/0	mm INCH	MM ONLY	1:1	METRIC	⊙ □
	▽E/0	4 PLACES ± --- ± ---	DRAWN BY DATE	BRIDGELUX RS LED HOLDER		
	▽E/0	3 PLACES ± --- ± ---	CCARRANZA 2010/10/26			
	2 PLACES ± 0.13 ± ---	CHECKED BY DATE	MOLLEX INCORPORATED			
	1 PLACE ± 0.25 ± ---	CCARRANZA 2012/11/06				
	ANGULAR ± 1/2°	APPROVED BY DATE	DOCUMENT NO. SD-180180-000 SHEET NO. 1 OF 4			
		DMCGOWAN 2010/12/23				
		DRAFT WHERE APPLICABLE MUST REMAIN WITHIN DIMENSIONS	SEE CHART			
			MATERIAL NO.			
			SIZE B			

WIRE TRAP CAPS ARE REMOVED FROM FRONT VIEW FOR CLARITY

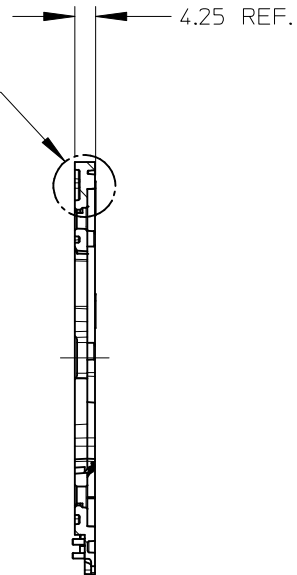


VIEW OF TWO-WAY WIRE TRAP

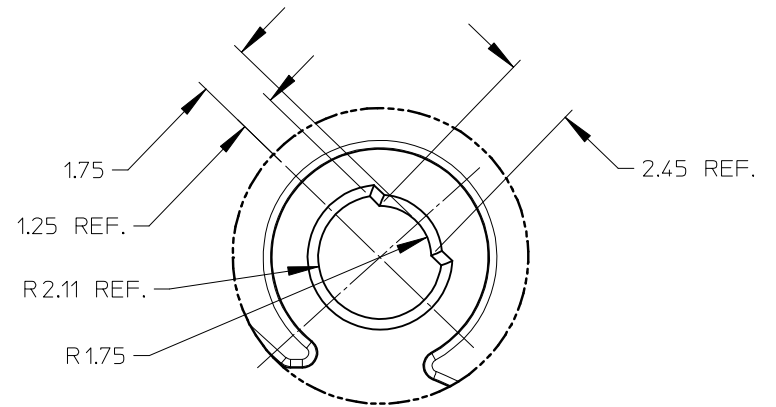
WIRE TRAPS WILL ACCOMODATE
EITHER 18 OR 20 GAUGE WIRE

DETAIL 1 SCALE 2:1

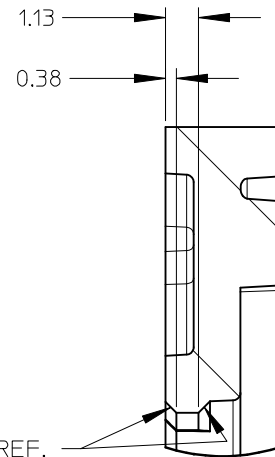
SEE DETAIL 3
SEE DETAIL 2



SECTION A-A
SCALE 1:1



DETAIL 2 SCALE 6:1

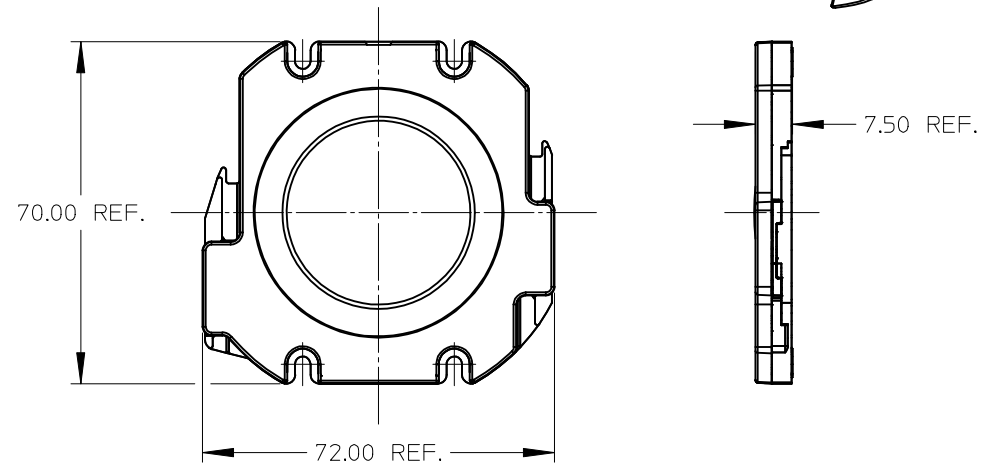
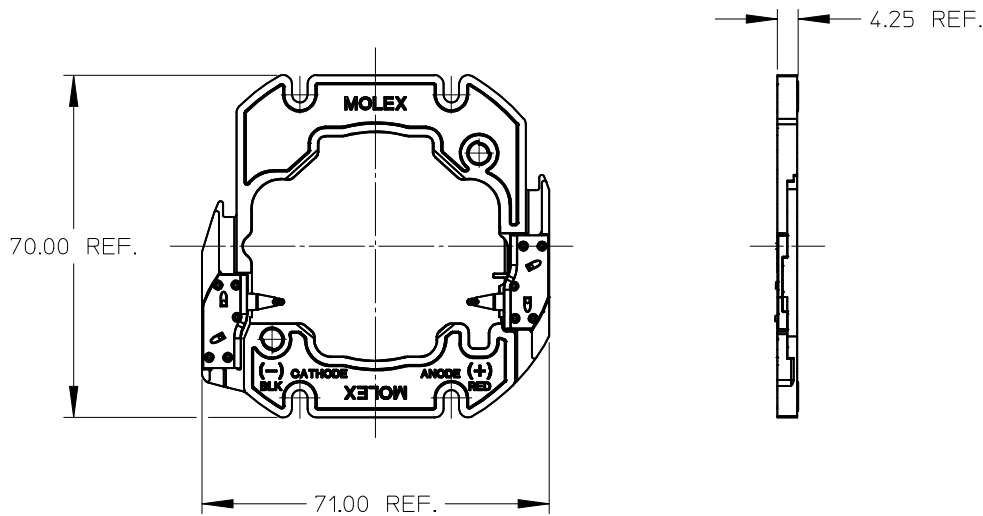
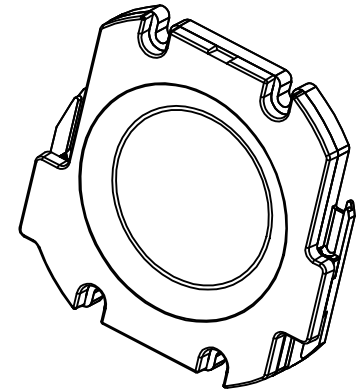
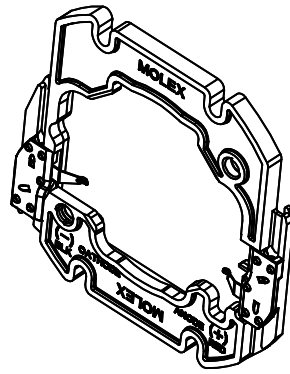


45° CHAMFER REF.

DETAIL 3 SCALE 6:1

ENTER DESCRIPTION EC NO: SSL2016-0054 DRWNL:ZAB.JANOVSKI 2016/03/29 CHKD: APPR:GMEYER 2016/04/11 REV	QUALITY SYMBOLS $\nabla/0$ $\nabla/0$ $\nabla/0$	GENERAL TOLERANCES (UNLESS SPECIFIED) mm INCH 4 PLACES ± --- ± --- 3 PLACES ± --- ± --- 2 PLACES ± 0.13 ± --- 1 PLACE ± 0.25 ± --- ANGULAR ± 1/2°	DIMENSION STYLE MM ONLY DRAWN BY DATE CCARRANZA 2010/10/26 CHECKED BY DATE CCARRANZA 2012/11/06 APPROVED BY DATE DMCGOWAN 2010/12/23 MATERIAL NO.	SCALE 2:1 TITLE BRIDGELUX RS LED HOLDER	DESIGN UNITS METRIC	THIRD ANGLE PROJECTION	
	DRAFT WHERE APPLICABLE MUST REMAIN WITHIN DIMENSIONS			SEE CHART	Molex MOLEX INCORPORATED	DOCUMENT NO. SD-180180-000	SHEET NO. 2 OF 4
	C2			SIZE B	THIS DRAWING CONTAINS INFORMATION THAT IS PROPRIETARY TO MOLEX INCORPORATED AND SHOULD NOT BE USED WITHOUT WRITTEN PERMISSION		

10 9 8 7 6 5 4 3 2 1



LED HOLDER PART NUMBER 180180-0000

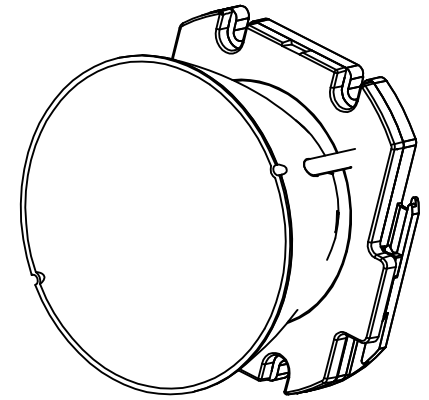
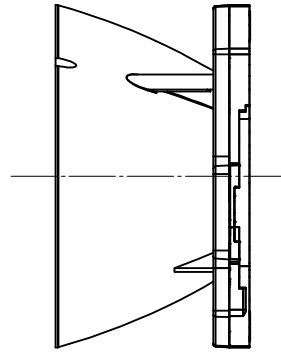
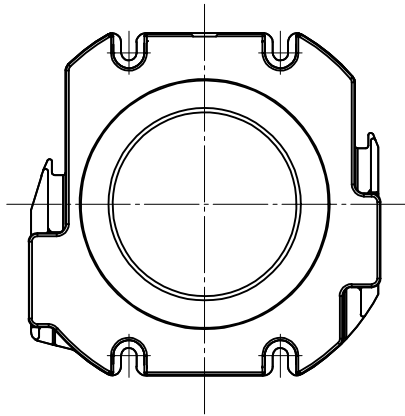
LED HOLDER SHOWN WITH OPTIONAL CLEAR COVER LENS
 MOLEX INDIVIDUAL COVER LENS PART NUMBER 180182-0000
 HOLDER AND LENS ASSEMBLY PART NUMBER 180180-0001

ENTER DESCRIPTION EC NO: SSL2016-0054 DRWNL:ZAB.JANOVSKI 2016/03/29 CHKD: APPR:GMEYER 2016/04/11 REV	QUALITY SYMBOLS	GENERAL TOLERANCES (UNLESS SPECIFIED)		DIMENSION STYLE MM ONLY		SCALE 1:1	DESIGN UNITS METRIC	THIRD ANGLE PROJECTION	
	▽=0	mm	INCH	DRAWN BY	DATE	TITLE BRIDGELUX RS LED HOLDER			
	▽=0	4 PLACES ± ---	± ---	CCARRANZA	2010/10/26				
	▽=0	3 PLACES ± ---	± ---	CHECKED BY	DATE	MATERIAL NO. DOCUMENT NO. SHEET NO.			
▽=0	2 PLACES ± 0.13	± ---	CCARRANZA	2012/11/06					
		1 PLACE ± 0.25	± ---	APPROVED BY	DATE	MOLEX INCORPORATED			
		ANGULAR ±1/2°		DMCGOWAN	2010/12/23	SD-180180-000			
		DRAFT WHERE APPLICABLE MUST REMAIN WITHIN DIMENSIONS		SEE CHART		THIS DRAWING CONTAINS INFORMATION THAT IS PROPRIETARY TO MOLEX INCORPORATED AND SHOULD NOT BE USED WITHOUT WRITTEN PERMISSION			

9 8 7 6 5 4 3 2 1

10 9 8 7 6 5 4 3 2 1

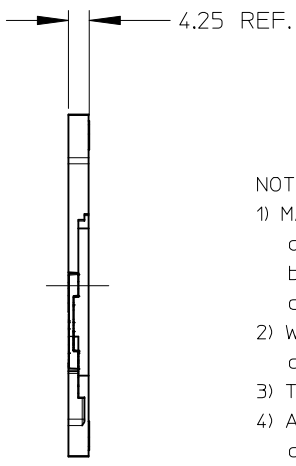
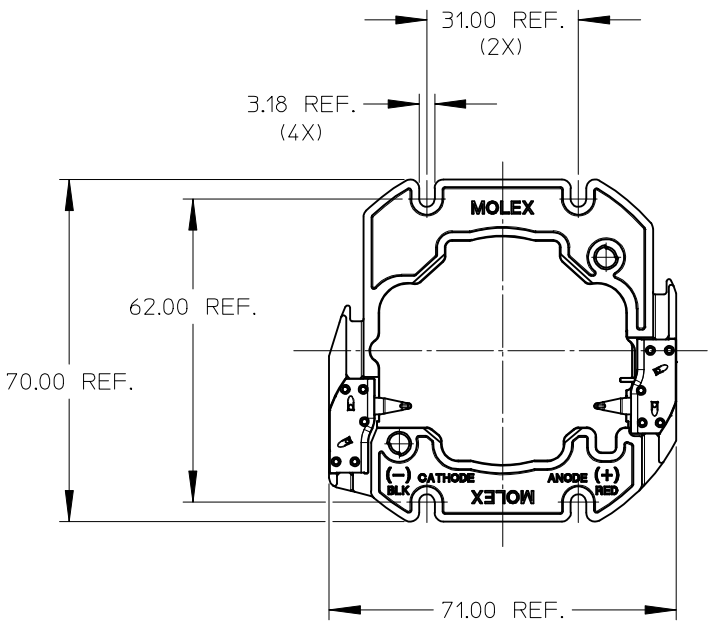
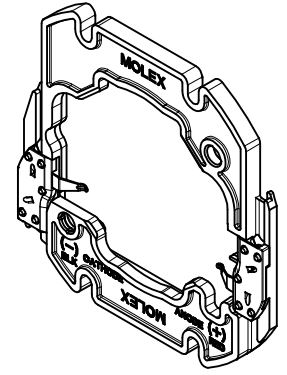
SHOWN WITH OPTIONAL REFLECTOR
 SOLD SEPARATELY BY LEDIL @ www.ledil.com



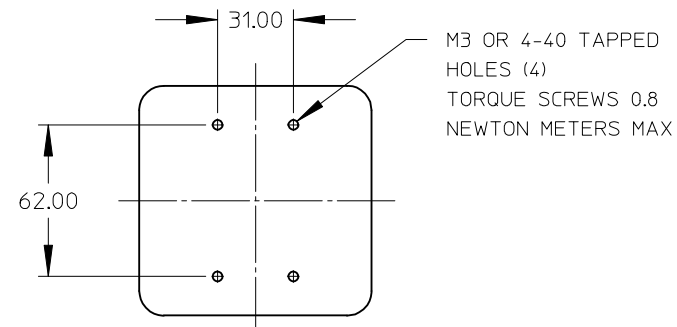
ENTER DESCRIPTION EC NO: SSL2016-0054 DRWNL:ZABJANOVSKI 2016/03/29 CHKD: APPR:GMEYER 2016/04/11	QUALITY SYMBOLS	GENERAL TOLERANCES (UNLESS SPECIFIED)		DIMENSION STYLE MM ONLY		SCALE 1:1	DESIGN UNITS METRIC	THIRD ANGLE PROJECTION		
	F/0 F/0 F/0	4 PLACES	mm	INCH	DRAWN BY	DATE	TITLE BRIDGELUX RS LED HOLDER			
		3 PLACES	± ---	± ---	CARRANZA	2010/10/26				
		2 PLACES	± 0.13	± ---	CARRANZA	2012/11/06				
1 PLACE	± 0.25	± ---	APPROVED BY	DATE	MATERIAL NO.					
		ANGULAR ±1/2°		DMCGOWAN	2010/12/23	MOLEX INCORPORATED		DOCUMENT NO.		
		DRAFT WHERE APPLICABLE MUST REMAIN WITHIN DIMENSIONS		SEE CHART		SD-180180-000		SHEET NO. 4 OF 4		
C2	REV	THIS DRAWING CONTAINS INFORMATION THAT IS PROPRIETARY TO MOLEX INCORPORATED AND SHOULD NOT BE USED WITHOUT WRITTEN PERMISSION								

9 8 7 6 5 4 3 2 1

10	9	8	7	6	5	4	3	2	1
PART NUMBER	DESCRIPTION	SEE SHEET	STATUS						
180180-0000	HOLDER WITHOUT LENS	3	TOOLED						
180180-0001	HOLDER WITH LENS	3	NOT TOOLED						
180182-0000	COVER LENS ONLY	3	NOT TOOLED						
N/A	REFLECTOR OPTION (LEDIL)	4	AVAILABLE THRU LEDIL						



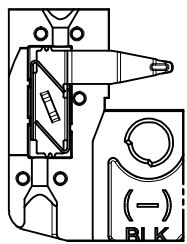
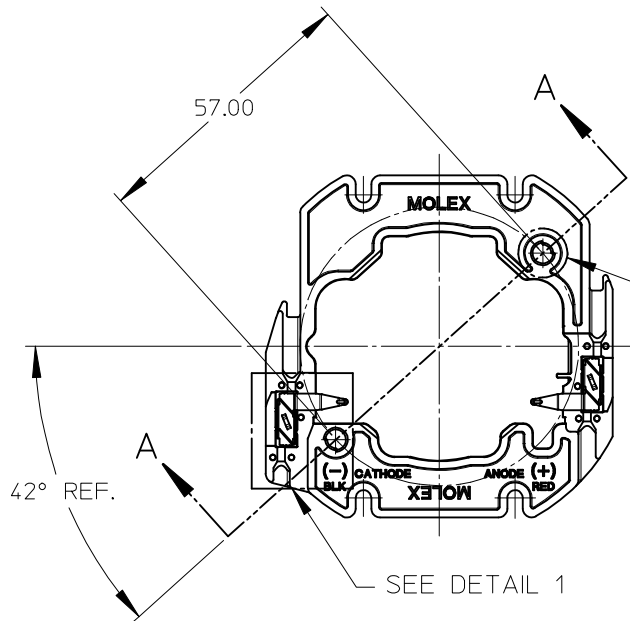
- NOTES:
- MATERIALS:
 - CAPS: NATURAL COLOR PA66 NYLON 25% GF UL94V-0
 - HOUSING: NATURAL COLOR PA66 NYLON 25% GF UL94V-0
 - COVER LENS: CLEAR POLYCARBONATE UL 94HB
 - WIRE TRAP TERMINALS: COPPER ALLOY
 - FINISH: SILVER OVER NICKEL
 - THIS PRODUCT IS ELV AND ROHS COMPLIANT
 - APPLICABLE WIRE GAUGE - 18 OR 20 AWG
 - SOLID WIRE IS RECOMMENDED
 - IF STRANDED WIRE IS USED, PRE-TINNED IS RECOMMENDED
 - 1 cm STRIP LENGTH IS RECOMMENDED
 - MOUNT HOLDER USING M3 OR 4-40 SCREWS (4), 0.8 NEWTON METERS MAX TORQUE
 - CONTACT AREA OF TERMINAL HAS AN ENVIRONMENTAL BARRIER/LUBRICANT FOR CORROSION RESISTANCE
 - UL:0LFB2 UL496 FILE: E345583.



RECOMMENDED MOUNTING DIMENSIONS (NTS)

ENTER DESCRIPTION EC NO: SSL2016-0054 DRAWN: ZAB, JANOVSKI 2016/03/29 CHKD: APPR: GMEYER 2016/04/11 REV	QUALITY SYMBOLS	GENERAL TOLERANCES (UNLESS SPECIFIED)	DIMENSION STYLE	SCALE	DESIGN UNITS	THIRD ANGLE PROJECTION
	▽F/0	mm INCH	MM ONLY	1:1	METRIC	
	▽E/0	4 PLACES ± --- ± ---	DRAWN BY DATE	TITLE BRIDGELUX RS LED HOLDER	MOLEX INCORPORATED	SHEET NO. 1 OF 4
	▽E/0	3 PLACES ± --- ± ---	CHECKED BY DATE			
▽E/0	2 PLACES ±0.13 ± ---	CCARRANZA 2012/11/06				
		1 PLACE ±0.25 ± ---	APPROVED BY DATE	DOCUMENT NO.		
		ANGULAR ±1/2°	DMCGOWAN 2010/12/23	SD-180180-000		
		DRAFT WHERE APPLICABLE MUST REMAIN WITHIN DIMENSIONS	MATERIAL NO.	THIS DRAWING CONTAINS INFORMATION THAT IS PROPRIETARY TO MOLEX INCORPORATED AND SHOULD NOT BE USED WITHOUT WRITTEN PERMISSION		
			SEE CHART			
			SIZE B			

WIRE TRAP CAPS ARE REMOVED FROM FRONT VIEW FOR CLARITY

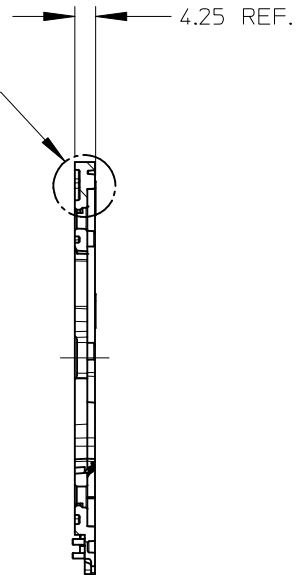


VIEW OF TWO-WAY WIRE TRAP

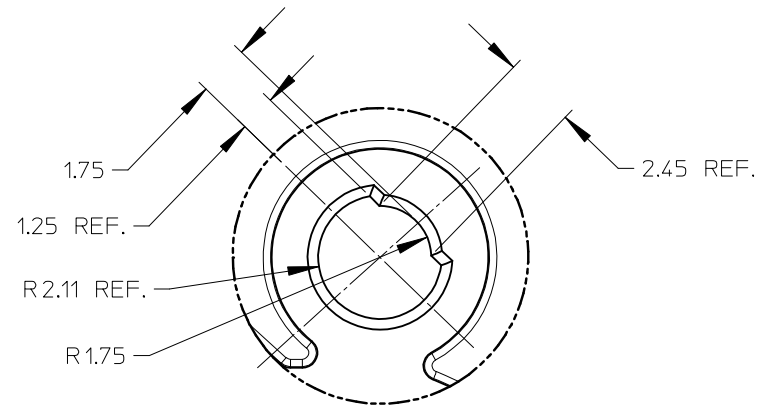
WIRE TRAPS WILL ACCOMODATE
EITHER 18 OR 20 GAUGE WIRE

DETAIL 1 SCALE 2:1

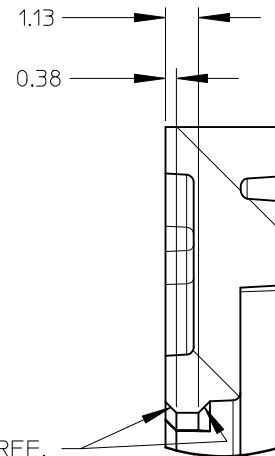
SEE DETAIL 3
SEE DETAIL 2



SECTION A-A
SCALE 1:1



DETAIL 2 SCALE 6:1

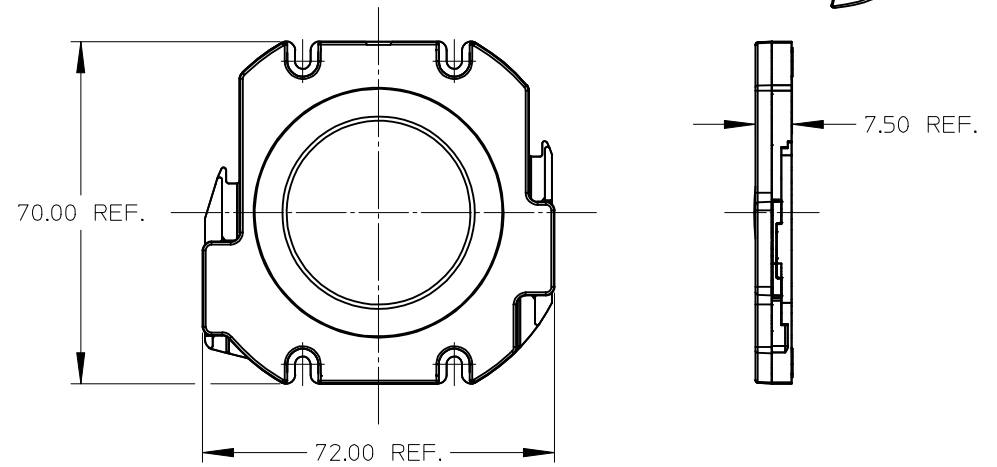
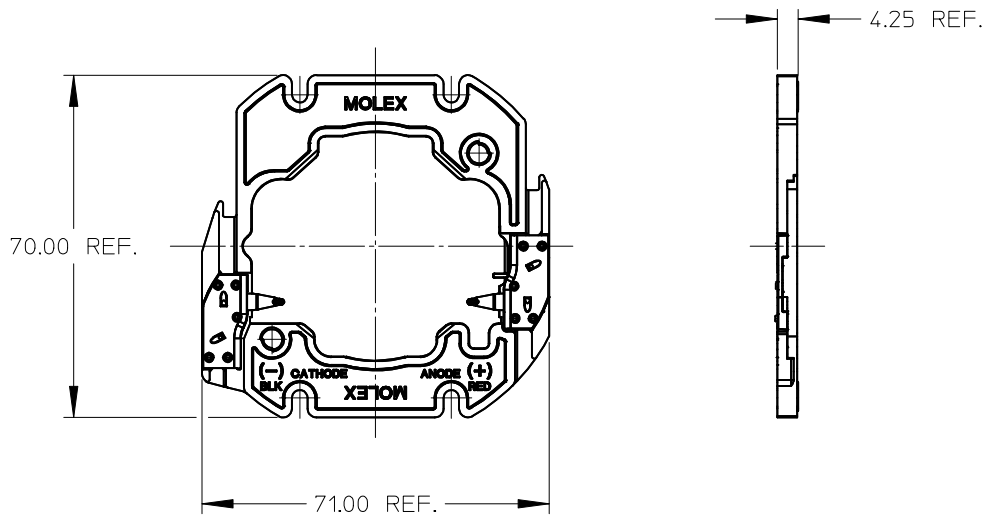
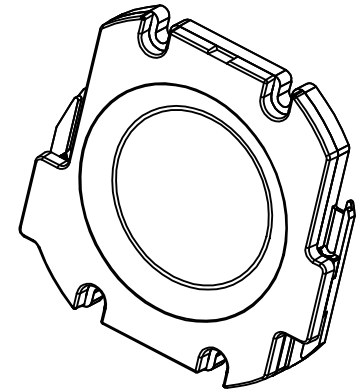
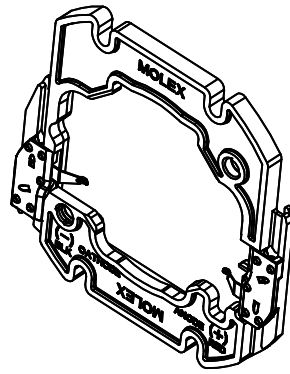


45° CHAMFER REF.

DETAIL 3 SCALE 6:1

ENTER DESCRIPTION EC NO: SSL2016-0054 DRWNL:ZAB.JANOVSKI 2016/03/29 CHKD: APPR:GMEYER 2016/04/11 REV	QUALITY SYMBOLS $\nabla/0$ $\nabla/0$ $\nabla/0$	GENERAL TOLERANCES (UNLESS SPECIFIED) mm INCH 4 PLACES ± --- ± --- 3 PLACES ± --- ± --- 2 PLACES ± 0.13 ± --- 1 PLACE ± 0.25 ± --- ANGULAR ± 1/2°	DIMENSION STYLE MM ONLY DRAWN BY DATE CCARRANZA 2010/10/26 CHECKED BY DATE CCARRANZA 2012/11/06 APPROVED BY DATE DMCGOWAN 2010/12/23 MATERIAL NO.	SCALE 2:1 TITLE BRIDGELUX RS LED HOLDER	DESIGN UNITS METRIC	THIRD ANGLE PROJECTION	
	DRAFT WHERE APPLICABLE MUST REMAIN WITHIN DIMENSIONS		SEE CHART	Molex MOLEX INCORPORATED DOCUMENT NO. SD-180180-000	SHEET NO. 2 OF 4		
	C2	REV	6	5	4	3	2
	THIS DRAWING CONTAINS INFORMATION THAT IS PROPRIETARY TO MOLEX INCORPORATED AND SHOULD NOT BE USED WITHOUT WRITTEN PERMISSION						

10 9 8 7 6 5 4 3 2 1



LED HOLDER PART NUMBER 180180-0000

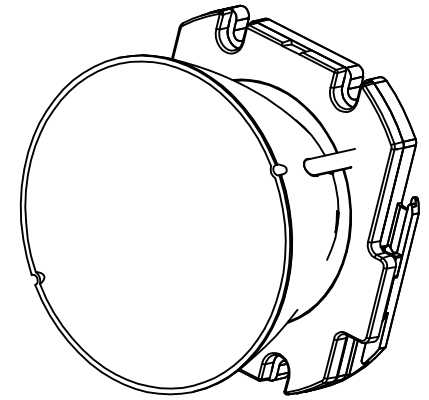
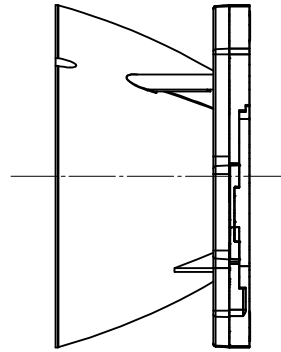
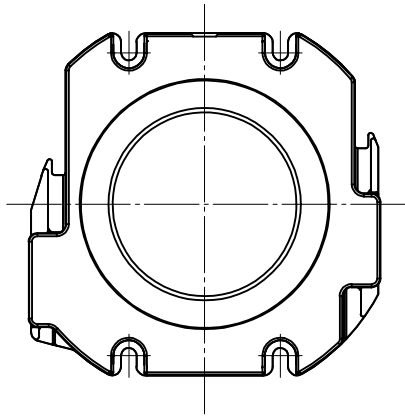
LED HOLDER SHOWN WITH OPTIONAL CLEAR COVER LENS
 MOLEX INDIVIDUAL COVER LENS PART NUMBER 180182-0000
 HOLDER AND LENS ASSEMBLY PART NUMBER 180180-0001

ENTER DESCRIPTION EC NO: SSL2016-0054 DRWNL:ZAB.JANOVSKI 2016/03/29 CHKD: APPR:GMEYER 2016/04/11 REV	QUALITY SYMBOLS	GENERAL TOLERANCES (UNLESS SPECIFIED)		DIMENSION STYLE MM ONLY		SCALE 1:1	DESIGN UNITS METRIC	THIRD ANGLE PROJECTION	
	▽=0	mm	INCH	DRAWN BY	DATE	TITLE BRIDGELUX RS LED HOLDER			
	▽=0	4 PLACES ± ---	± ---	CCARRANZA	2010/10/26				
	▽=0	3 PLACES ± ---	± ---	CHECKED BY	DATE	MATERIAL NO. DOCUMENT NO. SHEET NO.			
▽=0	2 PLACES ± 0.13	± ---	CCARRANZA	2012/11/06					
		1 PLACE ± 0.25	± ---	APPROVED BY	DATE	MOLEX INCORPORATED SD-180180-000 3 OF 4			
		ANGULAR ±1/2°		DMCGOWAN	2010/12/23				
		DRAFT WHERE APPLICABLE MUST REMAIN WITHIN DIMENSIONS		SEE CHART		THIS DRAWING CONTAINS INFORMATION THAT IS PROPRIETARY TO MOLEX INCORPORATED AND SHOULD NOT BE USED WITHOUT WRITTEN PERMISSION			

9 8 7 6 5 4 3 2 1

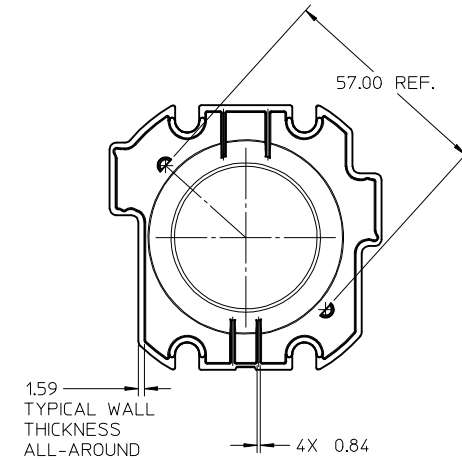
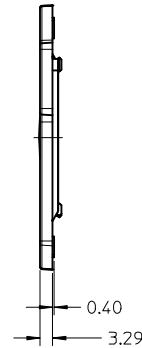
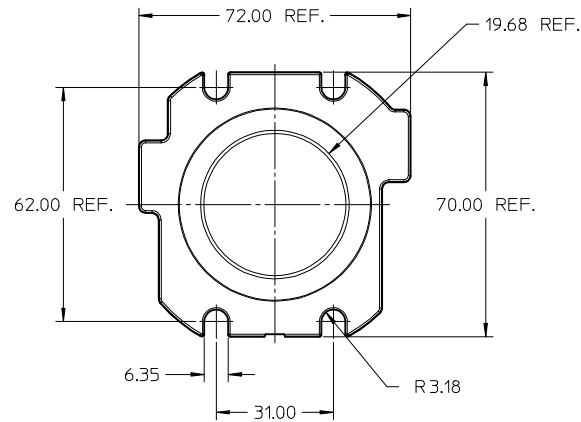
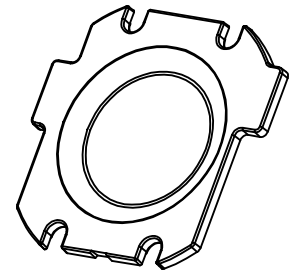
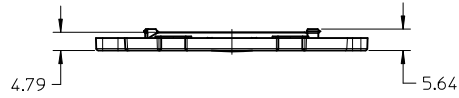
10 9 8 7 6 5 4 3 2 1

SHOWN WITH OPTIONAL REFLECTOR
 SOLD SEPARATELY BY LEDIL @ www.ledil.com



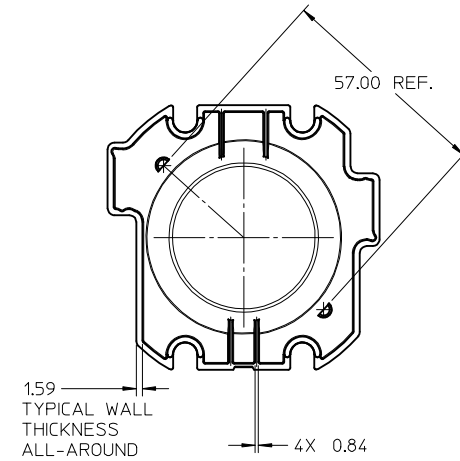
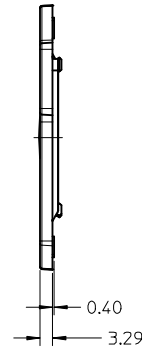
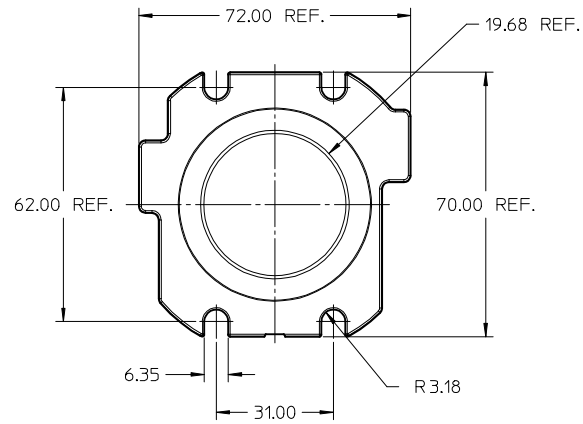
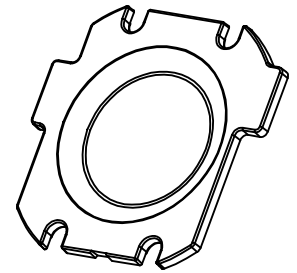
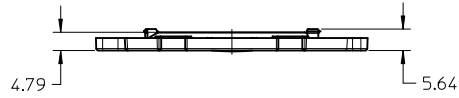
ENTER DESCRIPTION EC NO: SSL2016-0054 DRWNL:ZABJANOVSKI 2016/03/29 CHKD: APPR:GMEYER 2016/04/11	QUALITY SYMBOLS	GENERAL TOLERANCES (UNLESS SPECIFIED)		DIMENSION STYLE MM ONLY		SCALE 1:1	DESIGN UNITS METRIC	THIRD ANGLE PROJECTION	
	$\nabla=0$	mm	INCH	DRAWN BY	DATE	TITLE BRIDGELUX RS LED HOLDER			
	$\nabla=0$	4 PLACES ± ---	± ---	CCARRANZA	2010/10/26				
	$\nabla=0$	3 PLACES ± ---	± ---	CHECKED BY	DATE	MOLEX INCORPORATED DOCUMENT NO. SD-180180-000			
$\nabla=0$	2 PLACES ± 0.13	± ---	CCARRANZA	2012/11/06					
	1 PLACE ± 0.25	± ---	APPROVED BY	DATE	SHEET NO. 4 OF 4				
	ANGULAR ± 1/2°		DMCGOWAN	2010/12/23					
C2	REV	DRAFT WHERE APPLICABLE MUST REMAIN WITHIN DIMENSIONS		MATERIAL NO.		SEE CHART		THIS DRAWING CONTAINS INFORMATION THAT IS PROPRIETARY TO MOLEX INCORPORATED AND SHOULD NOT BE USED WITHOUT WRITTEN PERMISSION	

9 8 7 6 5 4 3 2 1



- NOTES:
 1. MATERIAL: CLEAR POLYCARBONATE UL94HB.
 2. THIS PRODUCT IS ELV AND ROHS COMPLIANT.

INITIAL RELEASE EC NO: SSL2013-0009 DRAWN: MDEVITO 2012/07/24 CHKD: CCARRANZA 2012/07/24 APPR: DMCGOWAN 2012/07/25	QUALITY SYMBOLS ▽=0 ▽=0 ▽=0	GENERAL TOLERANCES (UNLESS SPECIFIED)		DIMENSION STYLE MM ONLY		SCALE 1:1	DESIGN UNITS METRIC	THIRD ANGLE PROJECTION		
		4 PLACES ± --- ± ---	3 PLACES ± --- ± ---	2 PLACES ± 0.13 ± ---	1 PLACE ± 0.25 ± ---	0 PLACE ± --- ± ---	DRAWN BY DATE MDEVITO 2012/07/24		TITLE BRIDGELUX RS LED HOLDER LENS (SALES)	
		ANGULAR ±1/2°		MATERIAL NO. 1801820000		DOCUMENT NO. SD-180182-0000		SHEET NO. 1 OF 1		
		DRAFT WHERE APPLICABLE MUST REMAIN WITHIN DIMENSIONS		THIS DRAWING CONTAINS INFORMATION THAT IS PROPRIETARY TO MOLEX INCORPORATED AND SHOULD NOT BE USED WITHOUT WRITTEN PERMISSION						



- NOTES:
 1. MATERIAL: CLEAR POLYCARBONATE UL94HB.
 2. THIS PRODUCT IS ELV AND ROHS COMPLIANT.

INITIAL RELEASE EC NO: SSL2013-0009 DRAWN: MDEVITO 2012/07/24 CHKD: CCARRANZA 2012/07/24 APPR: DMCGOWAN 2012/07/25	QUALITY SYMBOLS ▽=0 ▽=0 ▽=0	GENERAL TOLERANCES (UNLESS SPECIFIED)		DIMENSION STYLE MM ONLY		SCALE 1:1	DESIGN UNITS METRIC	THIRD ANGLE PROJECTION		
			mm	INCH	DRAWN BY MDEVITO	DATE 2012/07/24	TITLE BRIDGELUX RS LED HOLDER LENS (SALES)			
		4 PLACES ± --- ± ---			CHECKED BY CCARRANZA	DATE 2012/07/24				
		3 PLACES ± --- ± ---			APPROVED BY DMCGOWAN	DATE 2012/07/25				
2 PLACES ± 0.13 ± ---	ANGULAR ±1/2°		MATERIAL NO. 1801820000	DOCUMENT NO. SD-180182-0000	SHEET NO. 1 OF 1					
1 PLACE ± 0.25 ± ---	DRAFT WHERE APPLICABLE MUST REMAIN WITHIN DIMENSIONS		THIS DRAWING CONTAINS INFORMATION THAT IS PROPRIETARY TO MOLEX INCORPORATED AND SHOULD NOT BE USED WITHOUT WRITTEN PERMISSION							
0 PLACE ± --- ± ---										