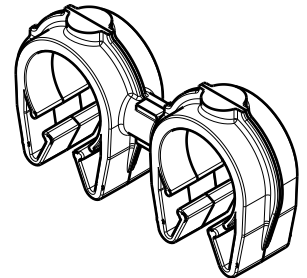
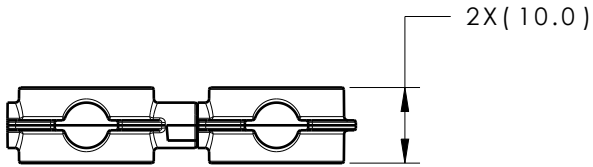
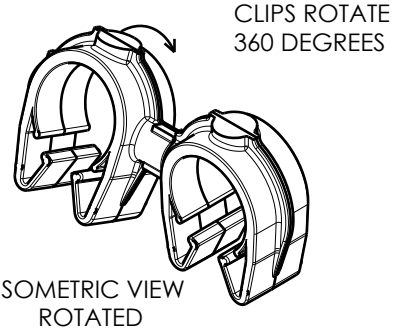
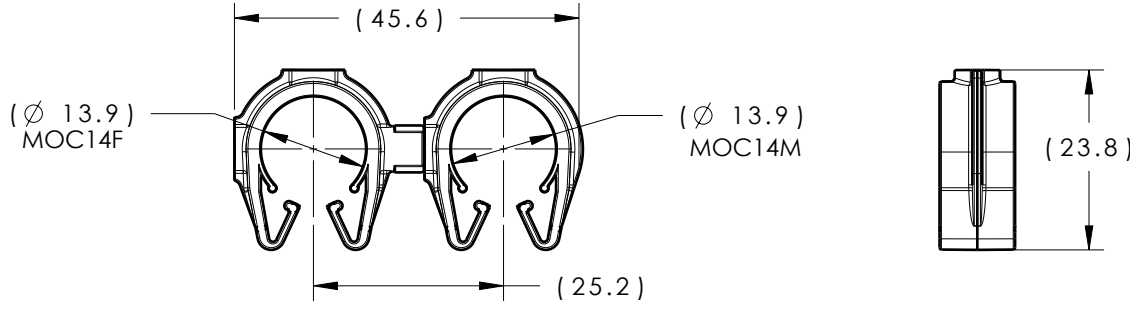


Revision Level			Revision Record	Changed	Date	Approved	Date
Drawing	State	Part					
01.3	Design Release		SEE ECN# 014444	JMC	04/26/18	EJH	04/26/18



ISOMETRIC VIEW

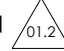


CLIPS ROTATE 360 DEGREES

TYPE	MOC14F	MOC14M
HARNESS	13.0MM-15.0MM	13.0MM-15.0MM
HOSE	13.0MM-15.0MM	13.0MM-15.0MM
HARD PIPE/TUBE	14.0MM-15.8MM	14.0MM-15.8MM

\*RECOMMENDED SIZES MAY DIFFER DEPENDING ON THE APPLICATION, PRODUCT REQUIREMENTS AND MATERIALS USED

\*\* Patent Pending 29/582,271\*\*

GLOBAL PART DESCRIPTION 	MOC14F**			MOC14M**		
	DRAWING	MATERIAL	COLOR	DRAWING	MATERIAL	COLOR
MOC14FMOC14M-PA66HIRHSUV-BK	16-0320-000-CSU	PA66HIRHSUV	BLACK	16-0320-000-CSU	PA66HIRHSUV	BLACK

Material SEE CHART COLOR: SEE CHART	Units	millimeters	The copyright of this drawing is reserved by HellermannTyton. It is issued on condition that it is not reproduced, copied or disclosed to a third party, either wholly or in part, without the consent of HellermannTyton.	Drawn	TAT	2/22/17	Article/Type-No	MOC14FMOC14M	Scale	1:1
	Tolerance defined on each dimension	Approved		EJH	2/28/17	Title	14MM MOC COUPLED TO A 14MM MOC 		Project Number	16-0326
		 North America Email: corp@htamericas.com Web: www.hellermann.tyton.com			Drawing-No	PRODUCTION : Phase	Format	AH		
					16-0326-445-CSU 		Sheet	1/1		