

Installation / LED/Buzzer 150

## Siren BWM 8 tne 24VDC



Part No.: 153.000.55



### MECHANICAL DATA

|                              |                                |
|------------------------------|--------------------------------|
| Length                       | 85 mm                          |
| Width                        | 85 mm                          |
| Height                       | 72 mm                          |
| Materials                    | PC<br>PP-GF                    |
| Housing colour               | Black                          |
| Protection category          | IP66                           |
| Connection                   | Screw terminals                |
| cross-sectional area maximum | 1,50mm <sup>2</sup> / 16AWG    |
| Cable entry                  | Membrane grommet               |
| Cable entry minimum          | d = 1 mm                       |
| Cable entry maximum          | d = 8 mm                       |
| Type of fixing               | Base mounting<br>Wall mounting |
| Working temperature minimum  | -25°C                          |
| Working temperature maximum  | +50°C                          |
| Weight with packaging        | 176 g                          |
| Product weight               | 146 g                          |

### ELECTRICAL DATA

|                             |                    |
|-----------------------------|--------------------|
| Operating voltage           | 24V                |
| Operating voltage type      | DC                 |
| Operating voltage tolerance | +/- 10%            |
| Rated operational voltage   | 24 VDC             |
| Rated operational current   | 120 mA             |
| Rated inrush current        | 500 mA             |
| Protection class            | Protection class 2 |
| Pollution degree            | 3                  |

### ACOUSTIC DATA

|                             |                 |
|-----------------------------|-----------------|
| Volume (max) at 1m distance | 105,0 dB (A)    |
| Number of tones             | 8 tone          |
| Acoustic service life       | 5,000 h minimum |

### APPROVAL DATA

|                              |     |
|------------------------------|-----|
| Conforms with CE             | Yes |
| WEEE                         | Yes |
| Conforms with ATEX-directive | No  |
| Conforms with CCC            | No  |
| Conforms with UL             | No  |

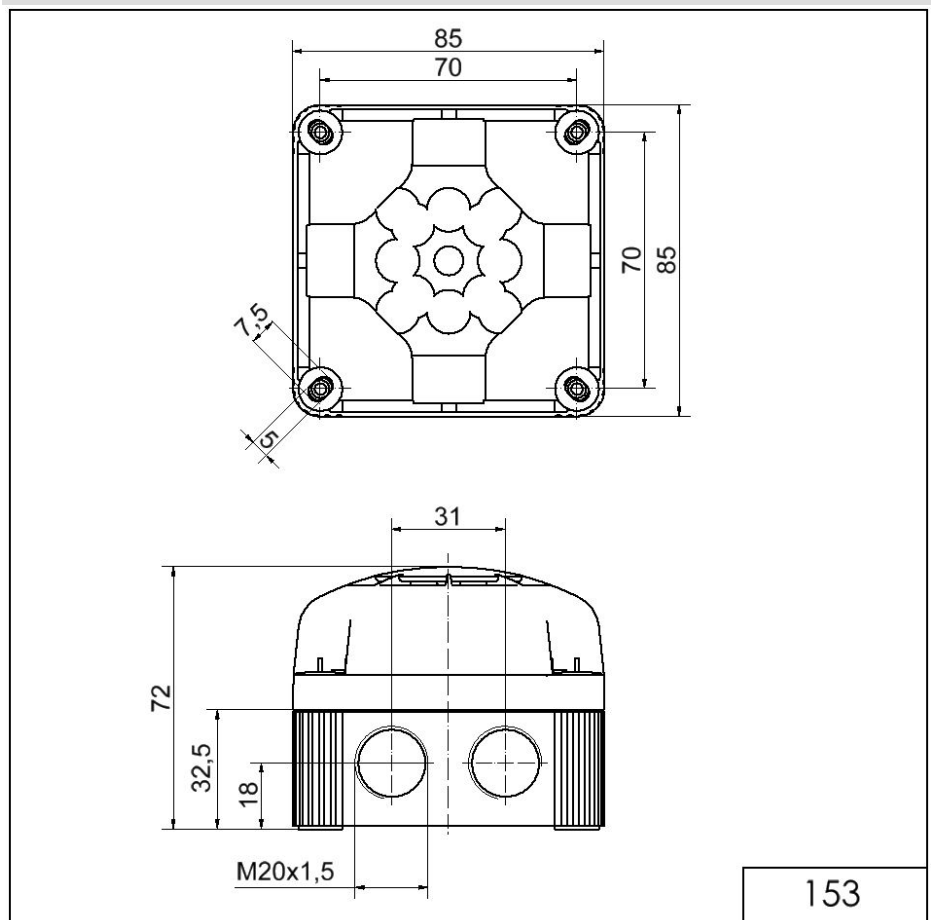


For additional installation and mounting information, refer to the appropriate user guide at [www.werma.com](http://www.werma.com). This printed copy is for information only and is subject to alteration.

Installation / LED/Buzzer 150  
**Siren BWM 8 tne 24VDC**

|                               |                       |
|-------------------------------|-----------------------|
| Conforms with FCC             | No                    |
| Conforms with IC              | No                    |
| EAC certificate available     | Yes                   |
| Conforms with UKCA (Importer) | Yes (WERMA (UK) Ltd.) |
| Conforms with AS-I            | No                    |
| ICAO Certification            | No                    |
| Conforms with DNV             | No                    |
| Conforms with RoHS CN         | No                    |
| Conforms with VdS             | No                    |

**DRAWING**



For additional installation and mounting information, refer to the appropriate user guide at [www.werma.com](http://www.werma.com). This printed copy is for information only and is subject to alteration.