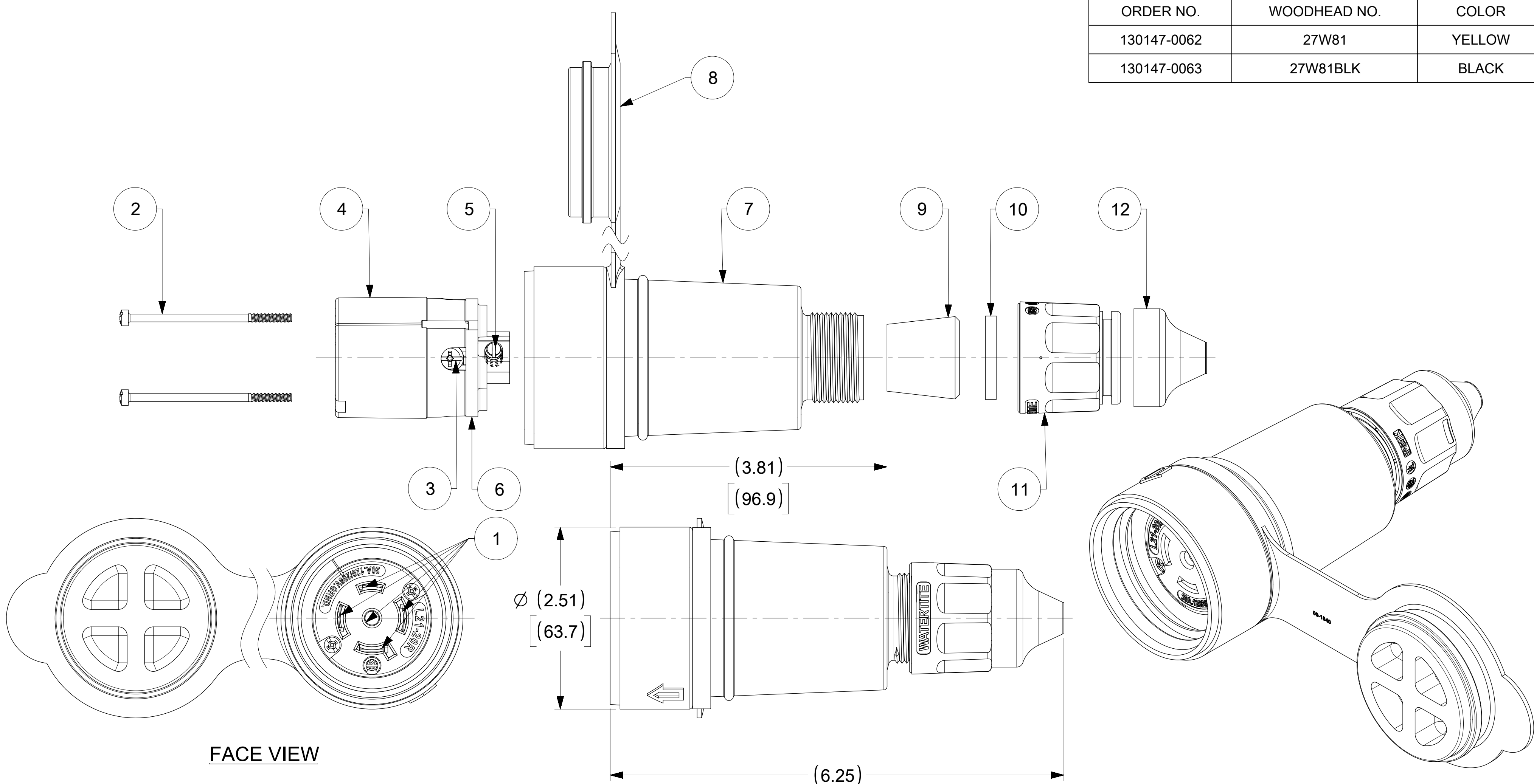


ORDER NO.	WOODHEAD NO.	COLOR
130147-0062	27W81	YELLOW
130147-0063	27W81BLK	BLACK



FACE VIEW

NOTE:
1. ACCEPT CABLE RANGE FROM .437" TO .750"

ITEM NO.	DESCRIPTIONS	MATERIAL	QTY.
1	BLADE	BRASS, NICKEL PLATED	5
2	RETAINING SCREWS	STAINLESS STEEL	2
3	CLAMP AND TERMINAL SCREW ASSY	BRASS, ZINC PLATED	4
4	INSERT	NYLON	1
5	SET SCREW	STAINLESS STEEL	1
6	TERMINAL COVER	POLYCARBONATE	1
7	HOUSING	SILICONE WITH NYLON THREAD	1
8	COVER CLOSURE	SILICONE	1
9	GROMMET	RUBBER	3
10	FRICTION RING	NYLON	1
11	COMPRESSION NUT	NYLON	1
12	CABLE GLOVE	SILICONE	1

SYMBOLS		THIS DRAWING CONTAINS INFORMATION THAT IS PROPRIETARY TO MOLEX ELECTRONIC TECHNOLOGIES, LLC AND SHOULD NOT BE USED WITHOUT WRITTEN PERMISSION	
▽ = 0	INCH[MM]	SCALE	CURRENT REV DESC:
▽ = 0	NTS		
▽ = 0	GENERAL TOLERANCES (UNLESS SPECIFIED)		
▽ = 0		MM	INCH
▽ = 0	4 PLACES	±	±
▽ = 0	3 PLACES	±	±
▽ = 0	2 PLACES	±	±
▽ = 0	1 PLACE	±	±
▽ = 0	0 PLACES	±	±
▽ = 0	ANGULAR TOL	± °	
▽ = 0	DRAFT WHERE APPLICABLE MUST REMAIN WITHIN DIMENSIONS		
▽ = 0	THIRD ANGLE PROJECTION	DRAWING	SERIES
		C-SIZE	130147
EC NO: 617712		2019/01/15	
DRWN: DSOPPIN		2019/06/03	
CHK'D: DNGUYEN62		2019/10/16	
APPR: HKNEELAND			
INITIAL REVISION:			
DRWN: DSOPPIN		2019/01/15	
APPR: HKNEELAND		2019/10/16	
DOCUMENT NUMBER		DOC TYPE	DOC PART
1301470062		PSD	000
MATERIAL NUMBER		CUSTOMER	SHEET NUMBER
SEE TABLE		GENERAL MARKET	1 OF 1