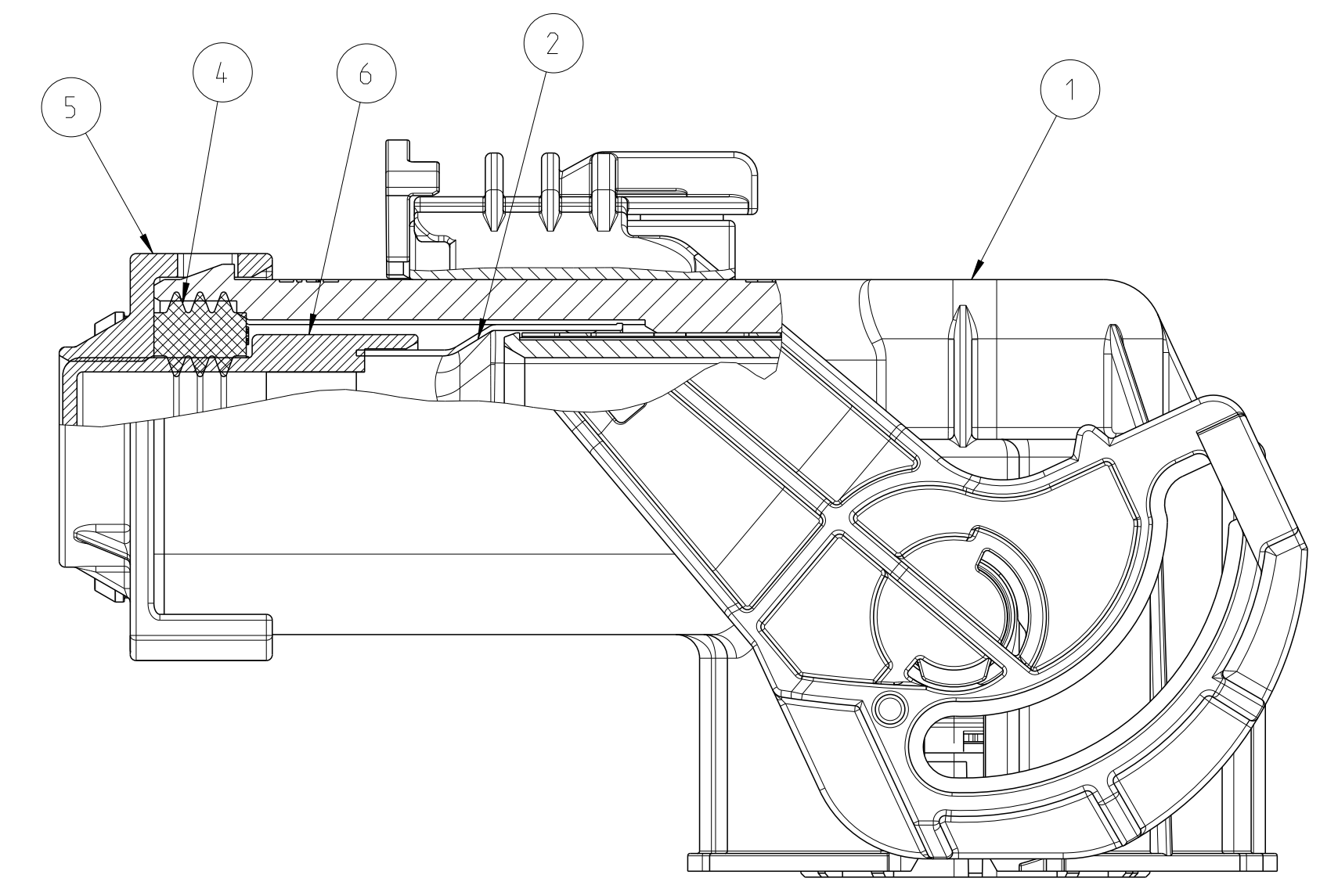
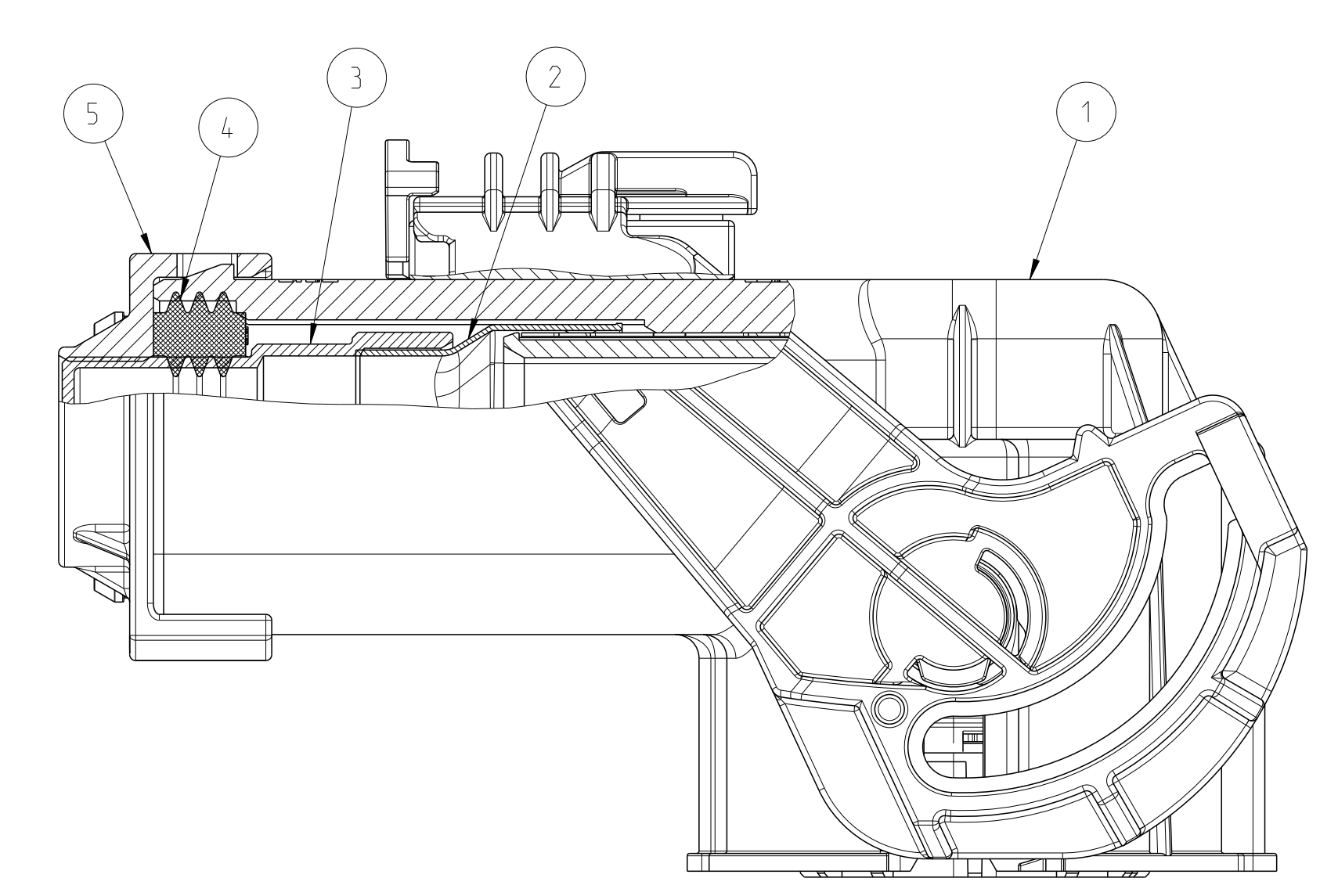


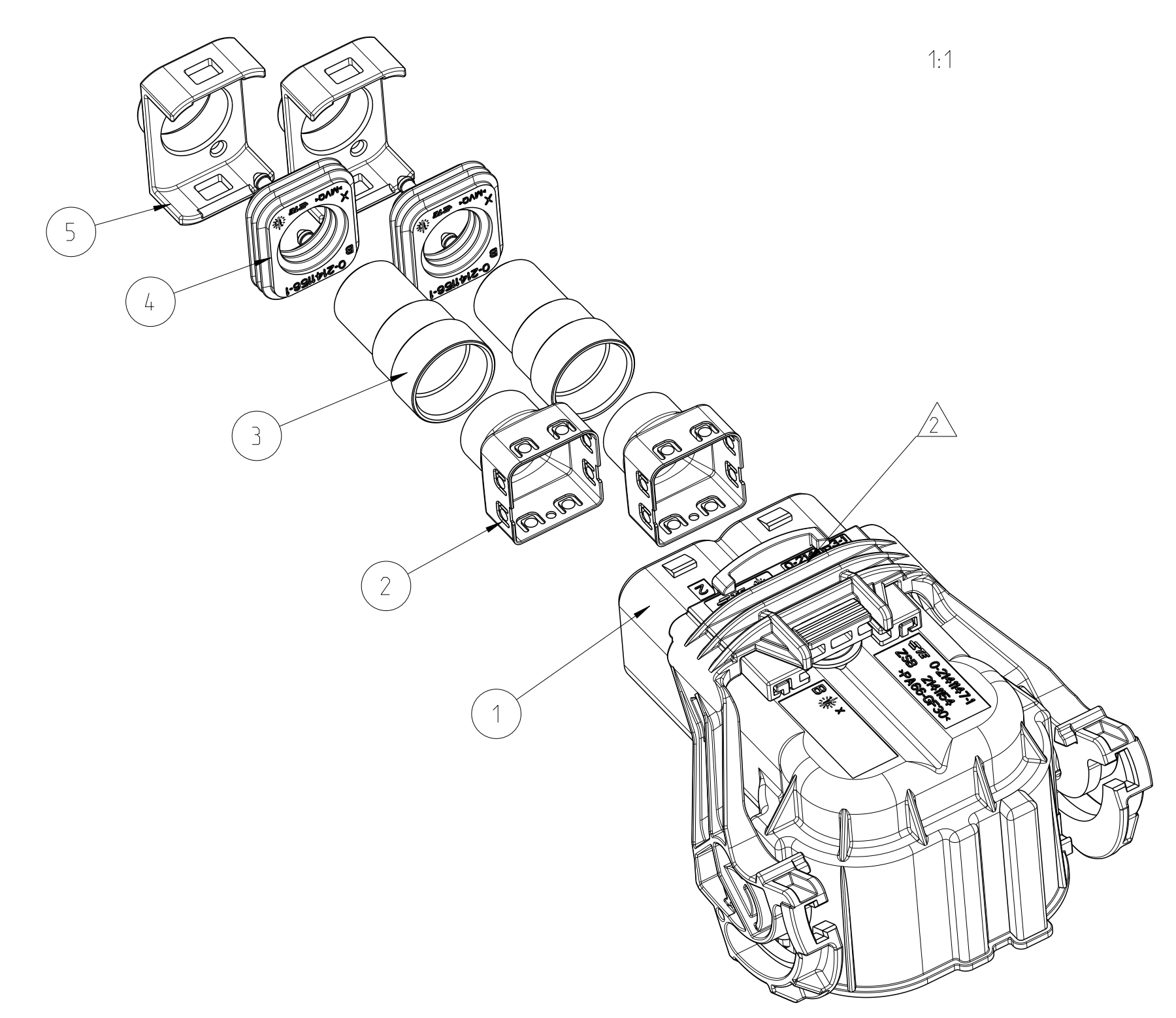
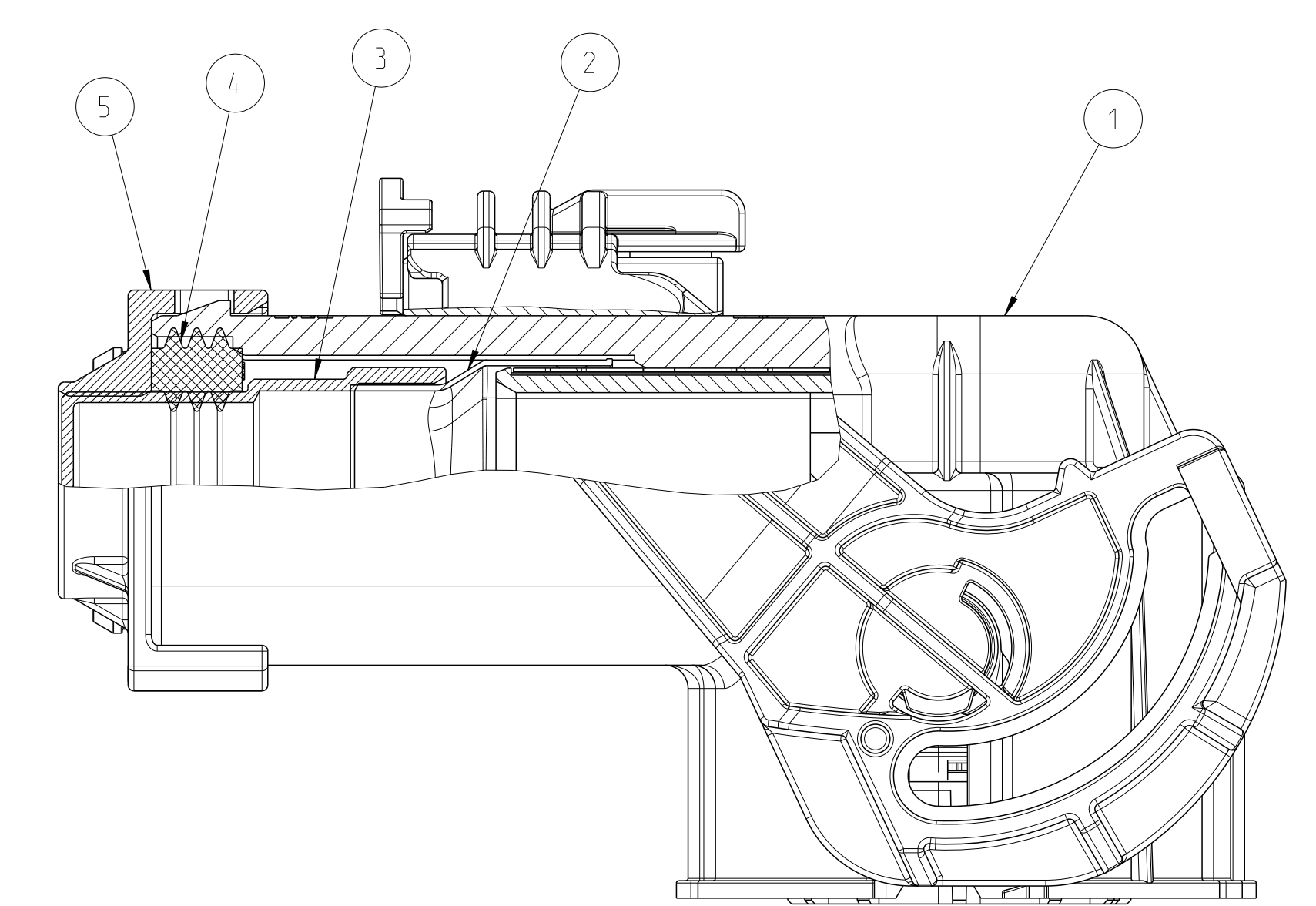
PN 3-2286713-1



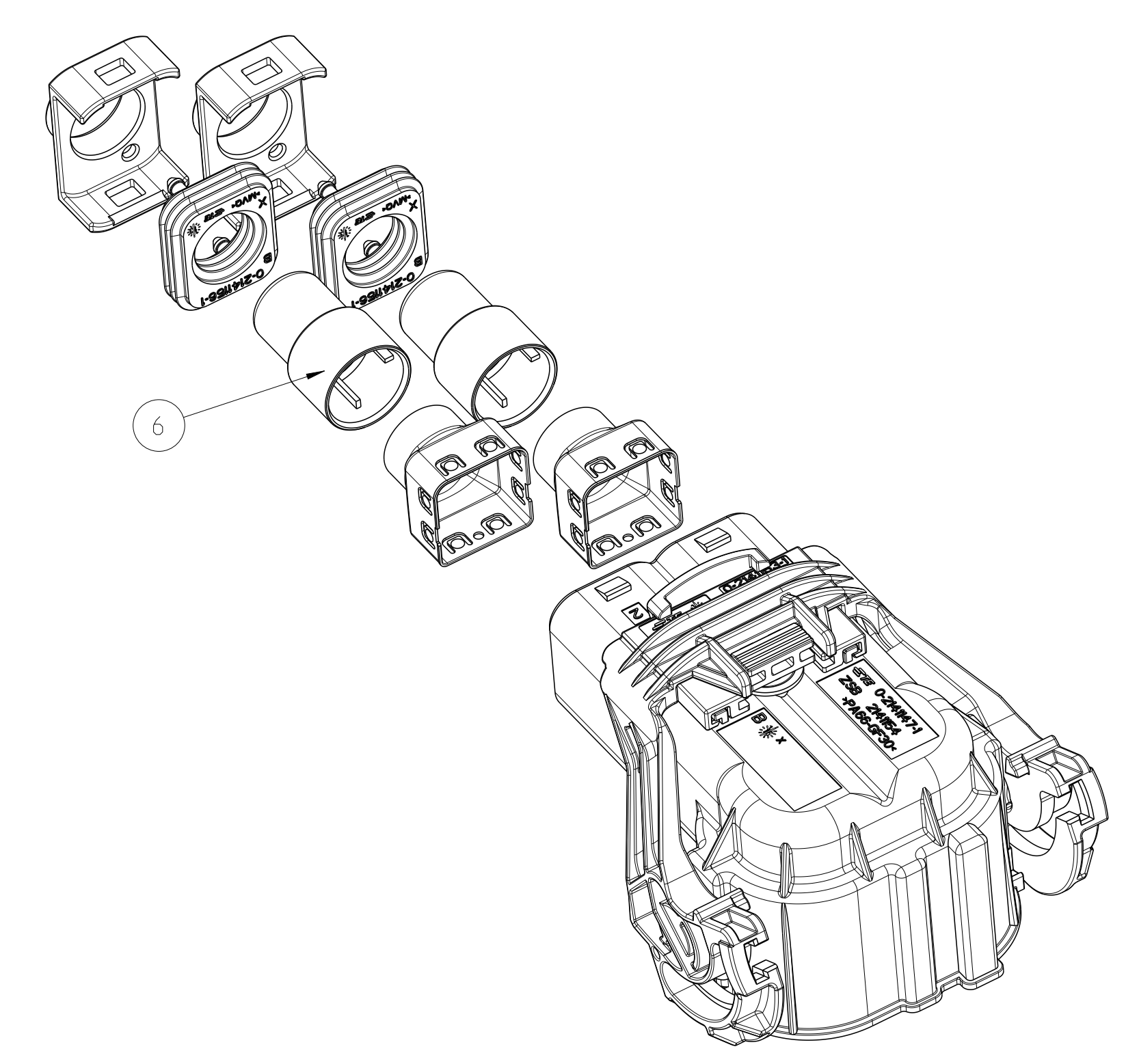
D2 PN 1-2286713-3



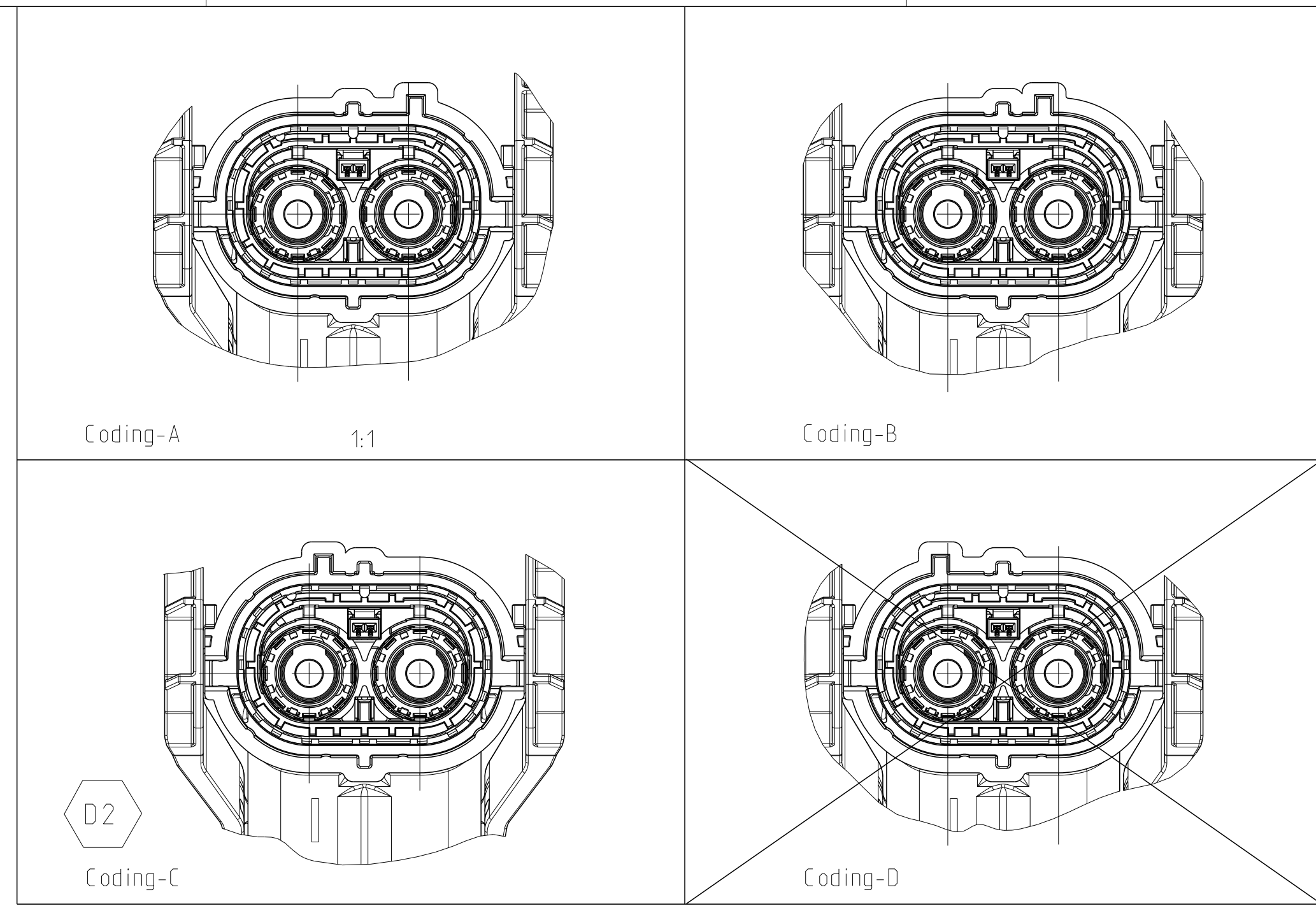
PN 1-2286713-1



PN 1-2286713-1



PN 3-2286713-1

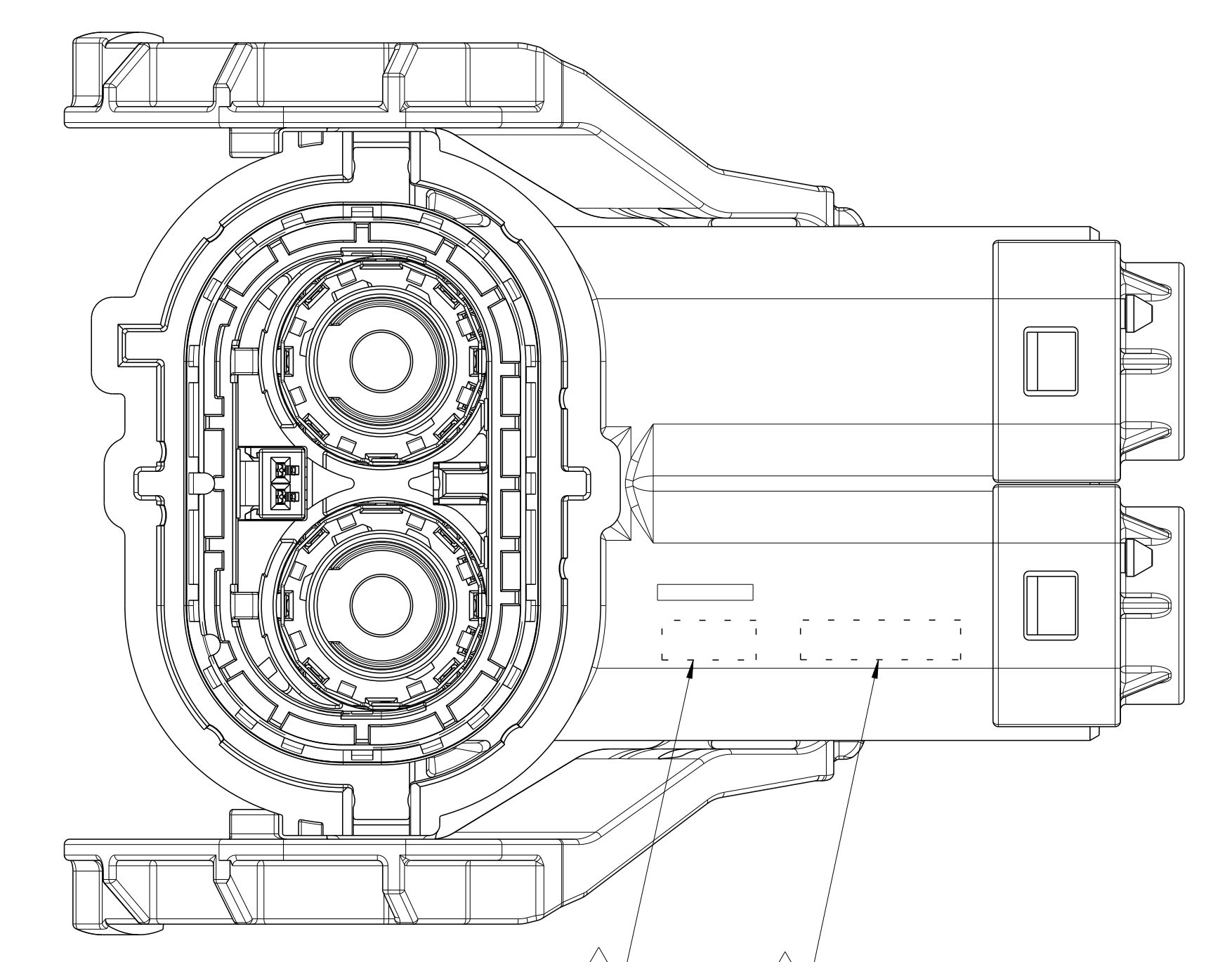


REV.	DATE	BY	APPD.
C	24.06.2017	MSA	DHV
D	04.08.2018	TSV	DHV
D1	04.08.2018	JJM	TSV
D2	10.02.2018	JJM	TSV

- 1 IN CASE OF DISCREPANCIES BETWEEN GERMAN AND ENGLISH TEXT THE GERMAN TEXT IS BINDING
- DELIVERY CONDITION: LEVER IN END-LOCKING POSITION  
CPA CLOSED  
Lieferzustand: Hebel in Endrastellung, CPA geschlossen
- FOR LABELING WITH NEEDLE PRINTER OR BAR CODE FOLLOWING DETAILS MUST BE INCLUDED:  
PRODUCTIONDATE, CALENDAR-WEEK/YEAR, REVISION  
Für Markierung mit Nadeldrucker oder Barcode müssen nachfolgende Angaben vorhanden sein:  
Produktionsdatum, Kalenderwoche/Jahr, Revision
- 4 PACKAG ACC. SPEC.: V - 2286713  
Verpackung nach Spec.: V - 2286713
- PN PRINTING  
PN drucken
- 6 MATING 2POS. PIN DIA 8mm PINHEADER - 2141227  
Passende 2Pol. Rundkontakt 8mm Stiftwanne - 2141227

COD.	TE ASSY-NO.	QTY	TE PART-NO.	TE SUB-ASSY-NO.	DESCRIPTION	MATERIAL	SURFACE COLOUR	ITEM
C	1-2286713-3	D2	2	0-2141155-1	PROTEC. COVER 8mm HV, 90 DEG Abdeckkappe 8mm HV, 90 Grad	P6-(GF10-GB20) Ultraamid B3GK24 0-0704822-1	ORANGE SIM./aehnli. RAL 2003	5
			2	0-2141156-1	SINGLE WIRE SEAL, 8mm HV, 90 DEG Kabeldichtung einzeln, 8mm HV, 90 Grad	Elastosil LR3844/30A/B COMPONENT A + B Komponente A + B PN: 0-2136301-1	GRASS GREEN/Grassgruen SIM./aehnlich RAL 6010	4
			2	2286681-1	CLOSING PLUG Verschlussstopfen	1,4301 PN [TBD]	black	6
			2	9-2141158-2	SHIELDING SLEEVE, 90 DEG Schirmhülse, 90 Grad	CuNiSi 2580-STOL-76-R580S TE Spec. 100-1230	SILVER PLATED versilbert	2
			1	-	1-2141154-3	2POS, 8mm HV, REC HSG, 90 DEG, ASSY, SEALED 2pol. gedichtete Assy, 8mm HV, 90 Grad	SEE 2141154	
B	1-2286713-2		2	0-2141155-1	PROTEC. COVER 8mm HV, 90 DEG Abdeckkappe 8mm HV, 90 Grad	P6-(GF10-GB20) Ultraamid B3GK24 0-0704822-1	ORANGE SIM./aehnli. RAL 2003	5
			2	0-2141156-1	SINGLE WIRE SEAL, 8mm HV, 90 DEG Kabeldichtung einzeln, 8mm HV, 90 Grad	Elastosil LR3844/30A/B COMPONENT A + B Komponente A + B PN: 0-2136301-1	GRASS GREEN/Grassgruen SIM./aehnlich RAL 6010	4
			2	2286681-1	CLOSING PLUG Verschlussstopfen	1,4301 PN [TBD]	blank	3
			2	9-2141158-2	SHIELDING SLEEVE, 90 DEG Schirmhülse, 90 Grad	CuNiSi 2580-STOL-76-R580S TE Spec. 100-1230	SILVER PLATED versilbert	2
			1	-	1-2141154-2	2POS, 8mm HV, REC HSG, 90 DEG, ASSY, SEALED 2pol. gedichtete Assy, 8mm HV, 90 Grad	SEE 2141154	
A	1-2286713-1		2	0-2141155-1	PROTEC. COVER 8mm HV, 90 DEG Abdeckkappe 8mm HV, 90 Grad	P6-(GF10-GB20) Ultraamid B3GK24 0-0704822-1	ORANGE SIM./aehnli. RAL 2003	5
			2	0-2141156-1	SINGLE WIRE SEAL, 8mm HV, 90 DEG Kabeldichtung einzeln, 8mm HV, 90 Grad	Elastosil LR3844/30A/B COMPONENT A + B Komponente A + B PN: 0-2136301-1	GRASS GREEN/Grassgruen SIM./aehnlich RAL 6010	4
			2	2286681-1	CLOSING PLUG Verschlussstopfen	1,4301 PN [TBD]	blank	3
			2	9-2141158-2	SHIELDING SLEEVE, 90 DEG Schirmhülse, 90 Grad	CuNiSi 2580-STOL-76-R580S TE Spec. 100-1230	SILVER PLATED versilbert	2
			1	-	1-2141154-1	2POS, 8mm HV, REC HSG, 90 DEG, ASSY, SEALED 2pol. gedichtete Assy, 8mm HV, 90 Grad	SEE 2141154	

COD.	TE ASSY-NO.	QTY	TE PART-NO.	TE SUB-ASSY-NO.	DESCRIPTION	MATERIAL	SURFACE COLOUR	ITEM
B	3-2286713-2		2	0-2141155-1	PROTEC. COVER 8mm HV, 90 DEG Abdeckkappe 8mm HV, 90 Grad	P6-(GF10-GB20) Ultraamid B3GK24 0-0704822-1	ORANGE SIM./aehnli. RAL 2003	5
			2	0-2141156-1	SINGLE WIRE SEAL, 8mm HV, 90 DEG Kabeldichtung einzeln, 8mm HV, 90 Grad	Elastosil LR3844/30A/B COMPONENT A + B Komponente A + B PN: 0-2136301-1	GRASS GREEN/Grassgruen SIM./aehnlich RAL 6010	4
			2	2321221-1	CLOSING PLUG Verschlussstopfen	PA66-GF15	black	6
			2	9-2141158-2	SHIELDING SLEEVE, 90 DEG Schirmhülse, 90 Grad	CuNiSi 2580-STOL-76-R580S TE Spec. 100-1230	SILVER PLATED versilbert	2
			1	-	1-2141154-2	2POS, 8mm HV, REC HSG, 90 DEG, ASSY, SEALED 2pol. gedichtete Assy, 8mm HV, 90 Grad	SEE 2141154	
A	3-2286713-1		2	0-2141155-1	PROTEC. COVER 8mm HV, 90 DEG Abdeckkappe 8mm HV, 90 Grad	P6-(GF10-GB20) Ultraamid B3GK24 0-0704822-1	ORANGE SIM./aehnli. RAL 2003	5
			2	0-2141156-1	SINGLE WIRE SEAL, 8mm HV, 90 DEG Kabeldichtung einzeln, 8mm HV, 90 Grad	Elastosil LR3844/30A/B COMPONENT A + B Komponente A + B PN: 0-2136301-1	GRASS GREEN/Grassgruen SIM./aehnlich RAL 6010	4
			2	2321221-1	CLOSING PLUG Verschlussstopfen	PA66-GF15	black	6
			2	9-2141158-2	SHIELDING SLEEVE, 90 DEG Schirmhülse, 90 Grad	CuNiSi 2580-STOL-76-R580S TE Spec. 100-1230	SILVER PLATED versilbert	2
			1	-	1-2141154-1	2POS, 8mm HV, REC HSG, 90 DEG, ASSY, SEALED 2pol. gedichtete Assy, 8mm HV, 90 Grad	SEE 2141154	



APPLICABLE FOR ALL DASH VARIANTS

DIESE ZEICHNUNG IST EIN KONTROLLIERTES DOKUMENT. DIMENSIONEN UND TOLERANZEN GEMÄSS: GPS ISO STANDARDS.

THIS DRAWING IS A CONTROLLED DOCUMENT. DIMENSIONING AND TOLERANCING PER GPS ISO STANDARDS.

DATE: 04APR2016  
DRAWN: W. Saender  
CHECKED: OSAPR2016

SCALE: 1:1  
SHEET: 1 OF 1

TE Connectivity

2POS 8MM HV, HSG, 90DEG, BLIND PLUG 2pol 8mm HV, Buchsengegaeuse 90Grad, Blindstecker

SIZE: A0  
CASE CODE: 00779  
DRAWING NO: 2286713

CUSTOMER DRAWING