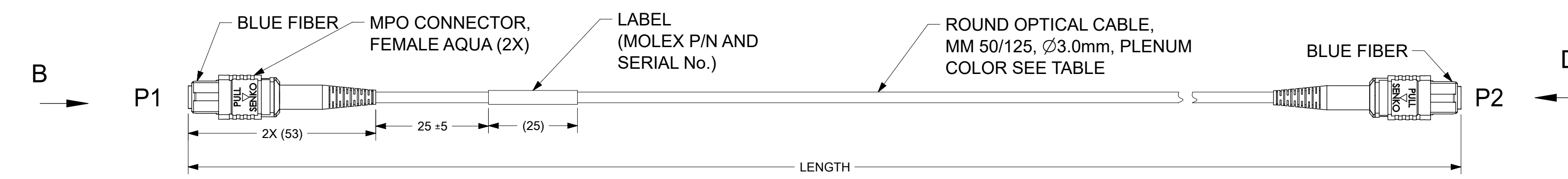
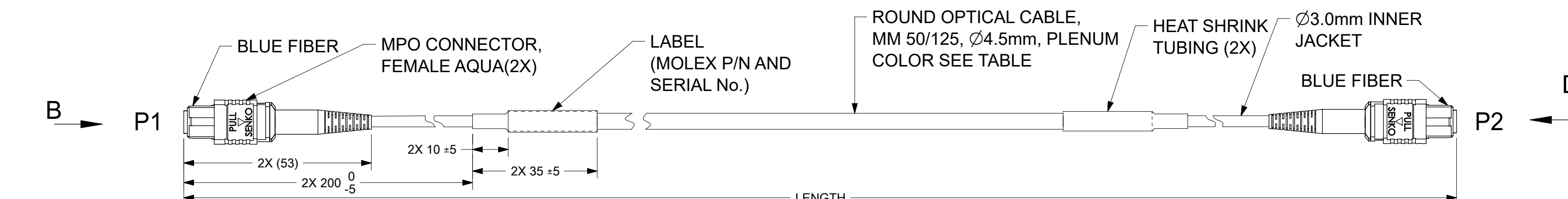


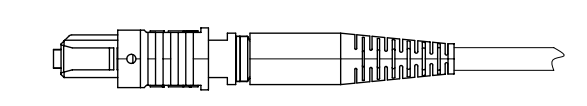
QSFP CABLE ASSEMBLY PART NUMBER			OVERALL LENGTH L (m)	CABLE DIA (mm)	CABLE TYPE
STANDARD BANDWIDTH (OM2 FIBER) (ORANGE CABLE)	HIGH BANDWIDTH (OM3 FIBER) (AQUA CABLE)	HIGH BANDWIDTH (OM4 FIBER) (AQUA CABLE)			
885366101	885366201	885366301	1.0 +0.2/-0	3.0	12 FIBER ROUND CABLE, SINGLE JACKET
885366103	885366203	885366303	3.0 +0.2/-0		
885366105	885366205	885366305	5.0 +0.2/-0		
885366110	885366210	885366310	10.0 +0.3/-0		
885366115	885366215	885366315	15.0 +0.3/-0		
885366120	885366220	885366320	20.0 +0.4/-0	4.5	12 FIBER ROUND CABLE, DUAL JACKET
885366130	885366230	885366330	30.0 +0.6/-0		
885366140	885366240	885366340	40.0 +0.8/-0		
885366150	885366250	885366350	50.0 +1.0/-0		
885366160	885366260	885366360	60.0 +1.2/-0		
885366170	885366270	885366370	70.0 +1.5/-0		
885366180	885366280	885366380	80.0 +1.6/-0		
885366199	885366299	885366399	100.0 +2.0/-0		



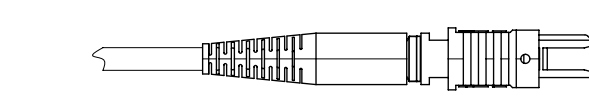
SINGLE JACKET ASSEMBLY



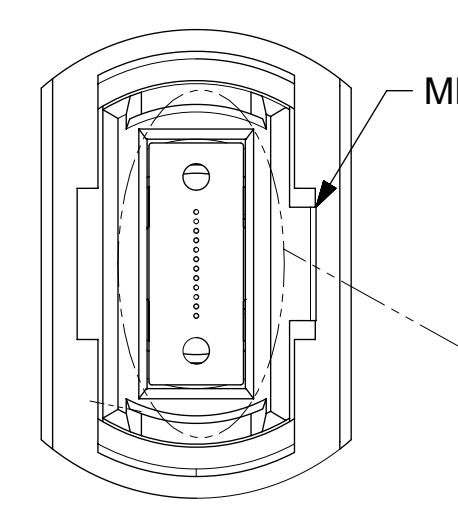
DUAL JACKET ASSEMBLY



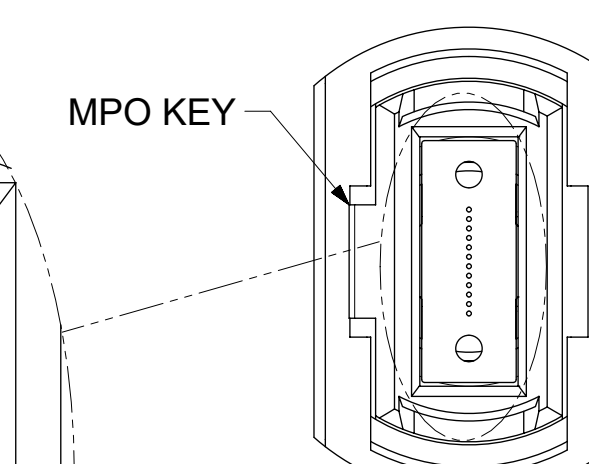
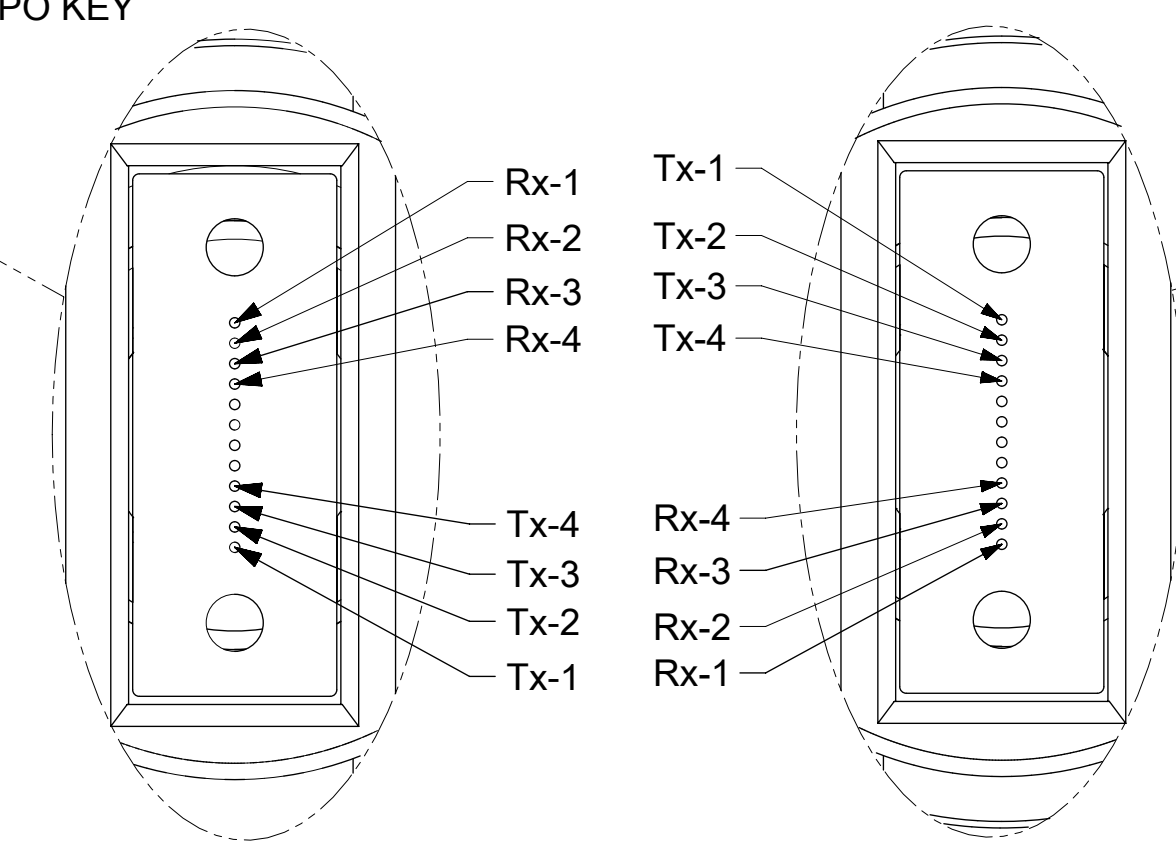
VIEW A



VIEW C



VIEW B SCALE 5:1



VIEW D SCALE 5:1

NOTES:

- CABLE ASSEMBLY SPECIFICATIONS:
 

OPTICAL PROPERTIES	MULTIMODE 50/125 μm BEND-INSENSITIVE
FIBER TYPE	1.0 dB
CONNECTOR INSERTION LOSS MPO(MAX.)	3.5/1.2 dB/km AT 850/1300 nm for OM2
CABLE ATTENUATION (MAX.)	3.0/1.2 dB/km AT 850/1300 nm for OM3
	3.0/1.0 dB/km AT 850/1300 nm for OM4
	SEE TABLE 1
OVERFILLED LAUNCH BANDWIDTH, MIN.	
ENVIRONMENTAL PROPERTIES	UL94 V-0
CONNECTOR MATERIALS	PLENUM OFNP
CABLE FLAMMABILITY RATING	-20°C TO +70°C
OPERATING TEMPERATURE RANGE	
MECHANICAL PROPERTIES	
FIBER COUNT	4 Tx X 4 Rx
- ENDCAPS ARE NOT SHOWN BUT INCLUDED.
- CABLE CONSTRUCTION:
  - L < 25 meters - SINGLE JACKET CABLE
  - L ≥ 25 meters - RUGGEDIZED CENTRAL TUBE CABLE
- INSERTION LOSS TEST DATA IS PROVIDED WITH EACH SHIPMENT.
- PACKAGING:
  - L < 50 meters - INDIVIDUALLY COILED AND BAGGED
  - L ≥ 50 meters - SHIPPED ON SPOOLS

TABLE 1

FIBER TYPE	OVERFILLED LAUNCH BANDWIDTH, MIN. (MHz-km)		1 GIGABIT ETHERNET LINK DISTANCE, MIN. (m)		10 GIGABIT ETHERNET LINK DISTANCE, MIN. (m)		EFFECTIVE MODAL BANDWIDTH (MHz-km)
	850 nm	1300 nm	850 nm	1300 nm	850 nm	1300 nm	850 nm
STANDARD BANDWIDTH (OM2)	500	500	600	---	82	---	---
HIGH BANDWIDTH (OM3)	1500	500	1000	---	300	---	2000
HIGH BANDWIDTH (OM4)	3500	550	1040	---	550	---	4700

FUNCTIONAL SYMBOLS	THIS DRAWING CONTAINS INFORMATION THAT IS PROPRIETARY TO MOLEX ELECTRONIC TECHNOLOGIES, LLC AND SHOULD NOT BE USED WITHOUT WRITTEN PERMISSION		CURRENT REV DESC:		<b>molex</b>		
FA = 0	mm	NTS					
FC = 0	GENERAL TOLERANCES (UNLESS SPECIFIED)		EC NO: 661442		MOLEX MPO QSFP MM JUMPER CABLE ASSEMBLY		
FD = 0	ANGULAR TOL ± °		DRWN: JHUANG18 2021/04/23				
DIVISIONAL SYMBOLS	4 PLACES	±	CHK'D: IGUMIN 2021/05/03		PRODUCT CUSTOMER DRAWING		
	3 PLACES	±	APPR: IGUMIN 2021/05/03				
	2 PLACES	±	INITIAL REVISION:		DOCUMENT NUMBER		
	1 PLACE	±	DRWN: JHUANG18 2021/04/23				
0 PLACES	±	APPR: IGUMIN 2021/05/03		DOC TYPE			
DRAFT WHERE APPLICABLE MUST REMAIN WITHIN DIMENSIONS		THIRD ANGLE PROJECTION	DRAWING				SERIES
			D-SIZE	88536	GENERAL MARKET		A
					SHEET NUMBER		1 OF 1

OPTICAL CONNECTION	
FROM P1	TO P2
Rx-1	Tx-1
Rx-2	Tx-2
Rx-3	Tx-3
Rx-4	Tx-4
UNUSED	UNUSED
UNUSED	UNUSED
UNUSED	UNUSED
UNUSED	UNUSED
Tx-4	Rx-4
Tx-3	Rx-3
Tx-2	Rx-2
Tx-1	Rx-1