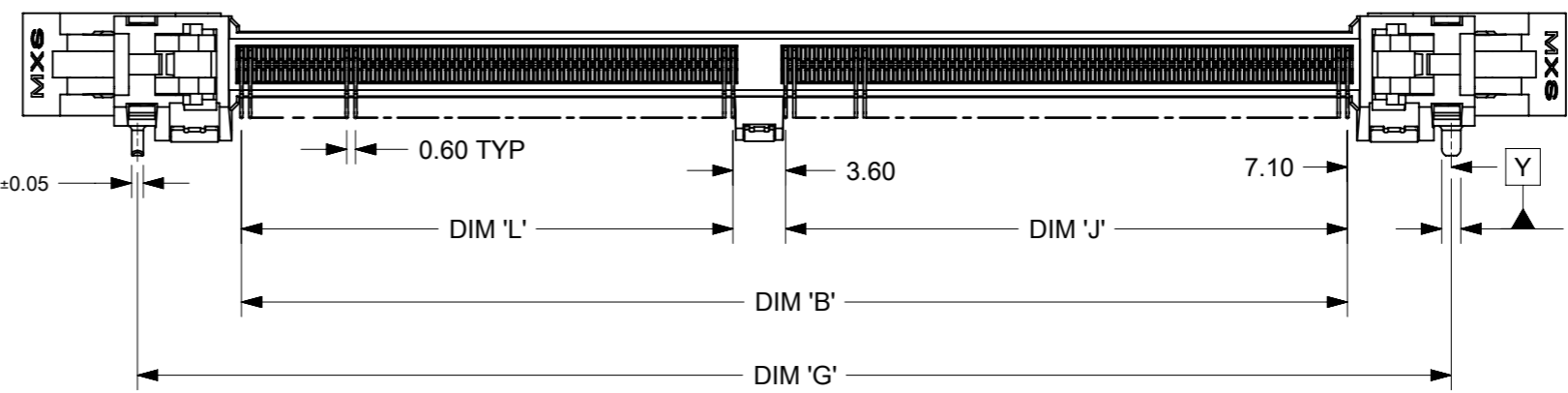
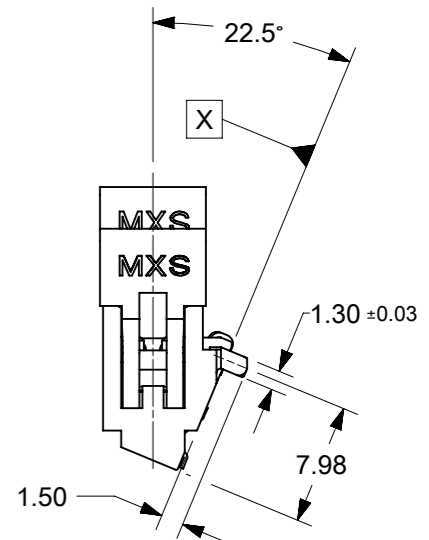
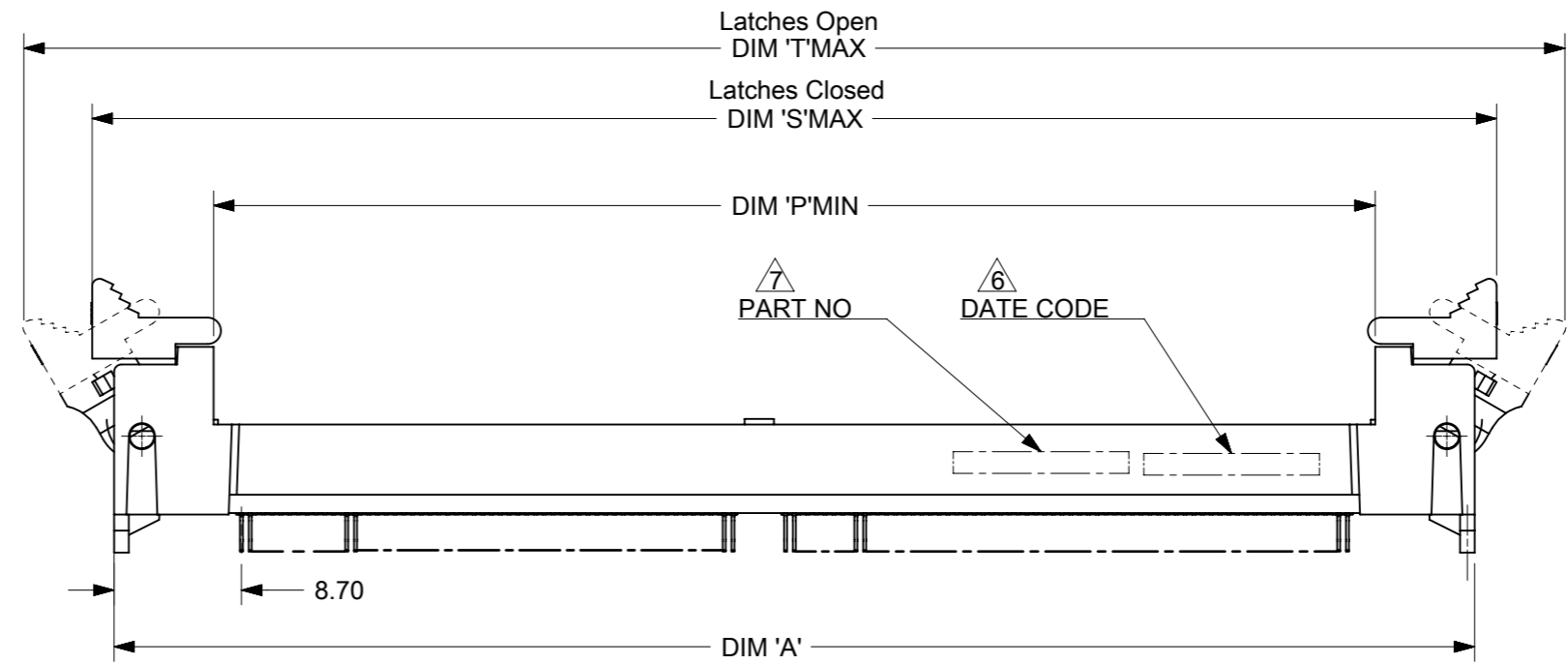


MINIMUM HEIGHT OF SOCKET WITH
MODULE CARD HEIGHT OF 30.00mm
AND THICKNESS OF 4mm.



- NOTES :
- MATERIAL :
HOUSING : HIGH TEMPERATURE LIQUID CRYSTAL POLYMER, UL94V-0
COLOUR : BLACK
CONTACTS : COPPER ALLOY
LATCHES : HIGH TEMPERATURE NYLON, UL94V-0
COLOUR : NATURAL (OFF-WHITE)
COVER : HIGH TEMPERATURE NYLON, UL 94V-0
COLOUR : BLACK

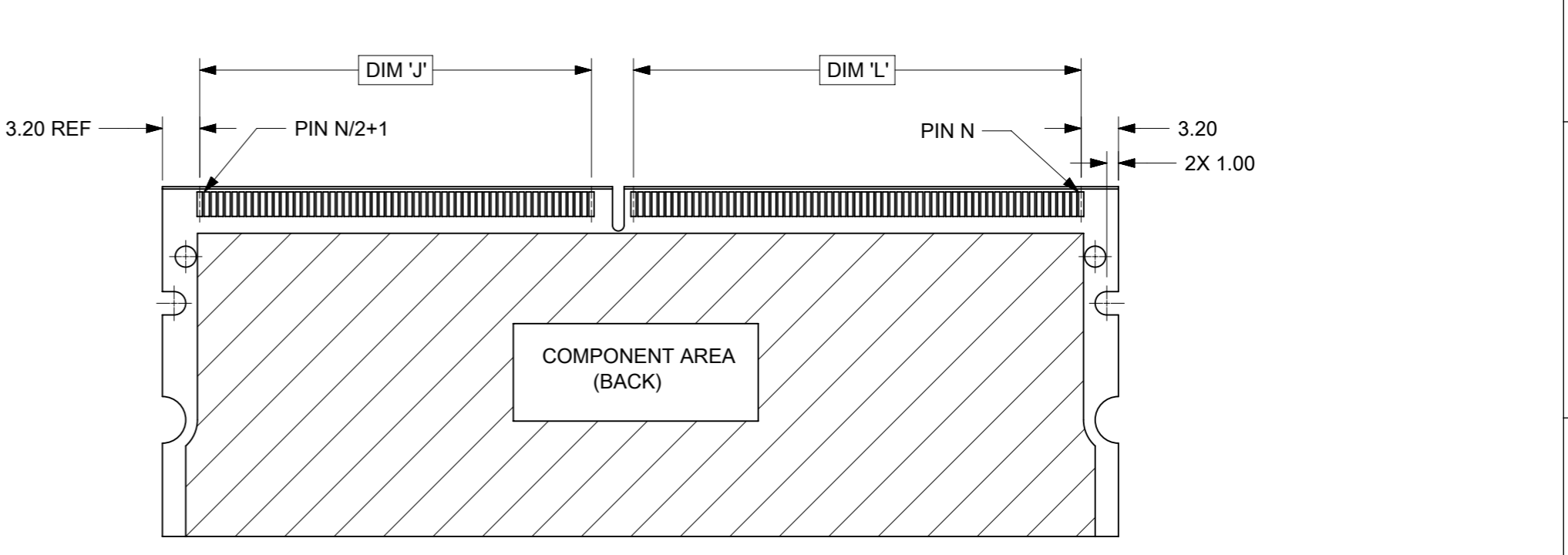
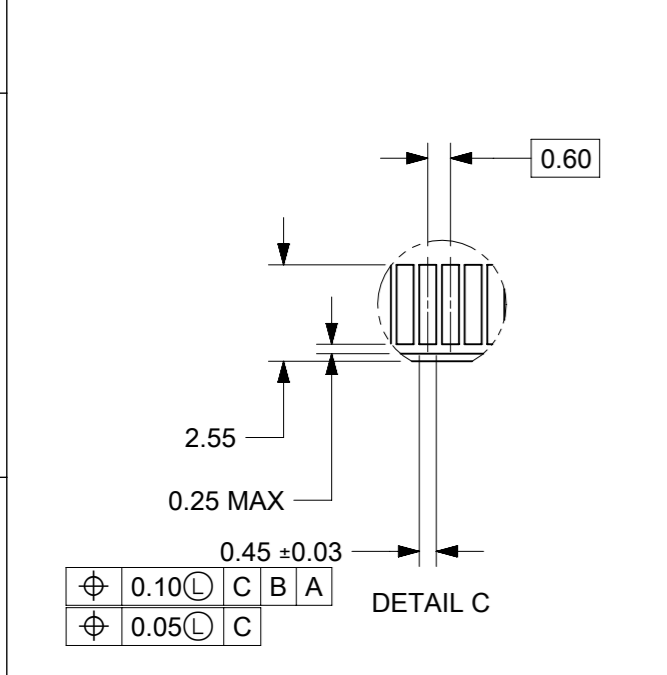
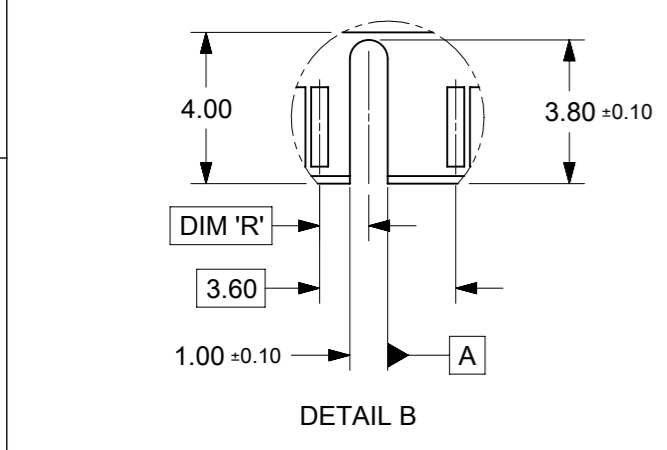
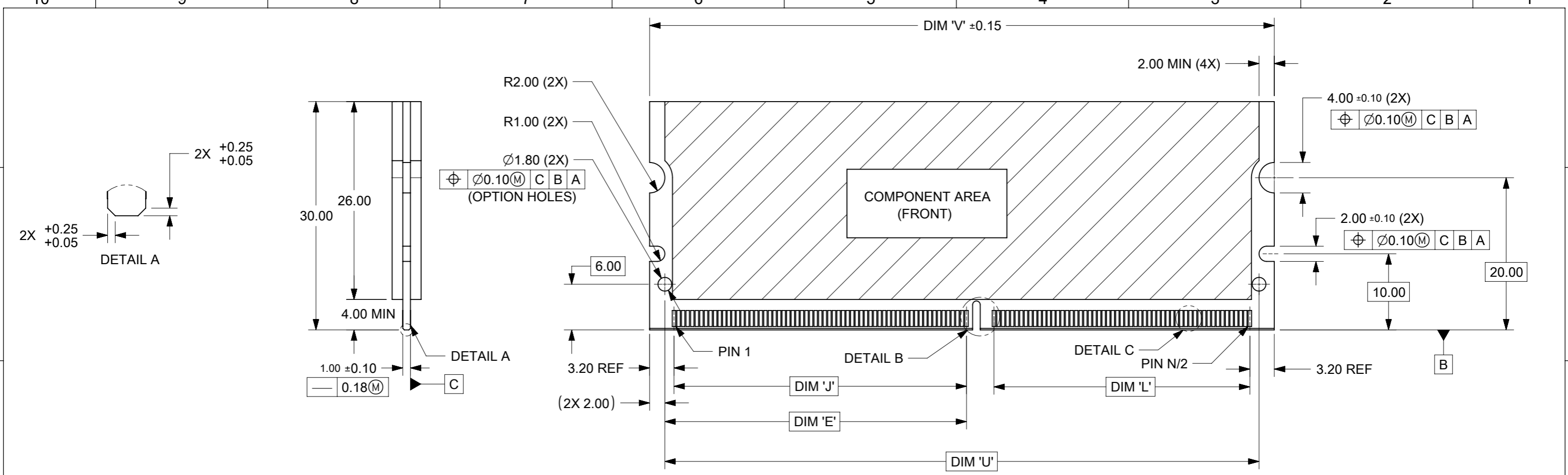
- FINISH
CONTACTS : 0.76 MICROMETER (30 MICROINCH) MIN GOLD OVER
1.25 MICROMETER (50 MICROINCH) MIN NICKEL
SMT TAIL : 2.54 MICROMETER (100 MICROINCH) MIN TIN OVER
1.25 MICROMETER (50 MICROINCH) MIN NICKEL
- ACCEPTS 1.0mm THICK MEMORY MODULE PER JEDEC MO-244 FOR 244 CKTS AND MO-258 FOR 200 CKTS.
- PRODUCT SPECIFICATION : PS-78035-001.
- PACKING SPECIFICATION: SEE TABLE IN SHEET 4.

6. DATE CODE SHALL BE MARKED LEGIBLY AS SHOWN : YY DDD.

7. PART NUMBER SHALL BE MARKED LEGIBLY AS SHOWN : 78035-XXXX (REFER TO TABLE).

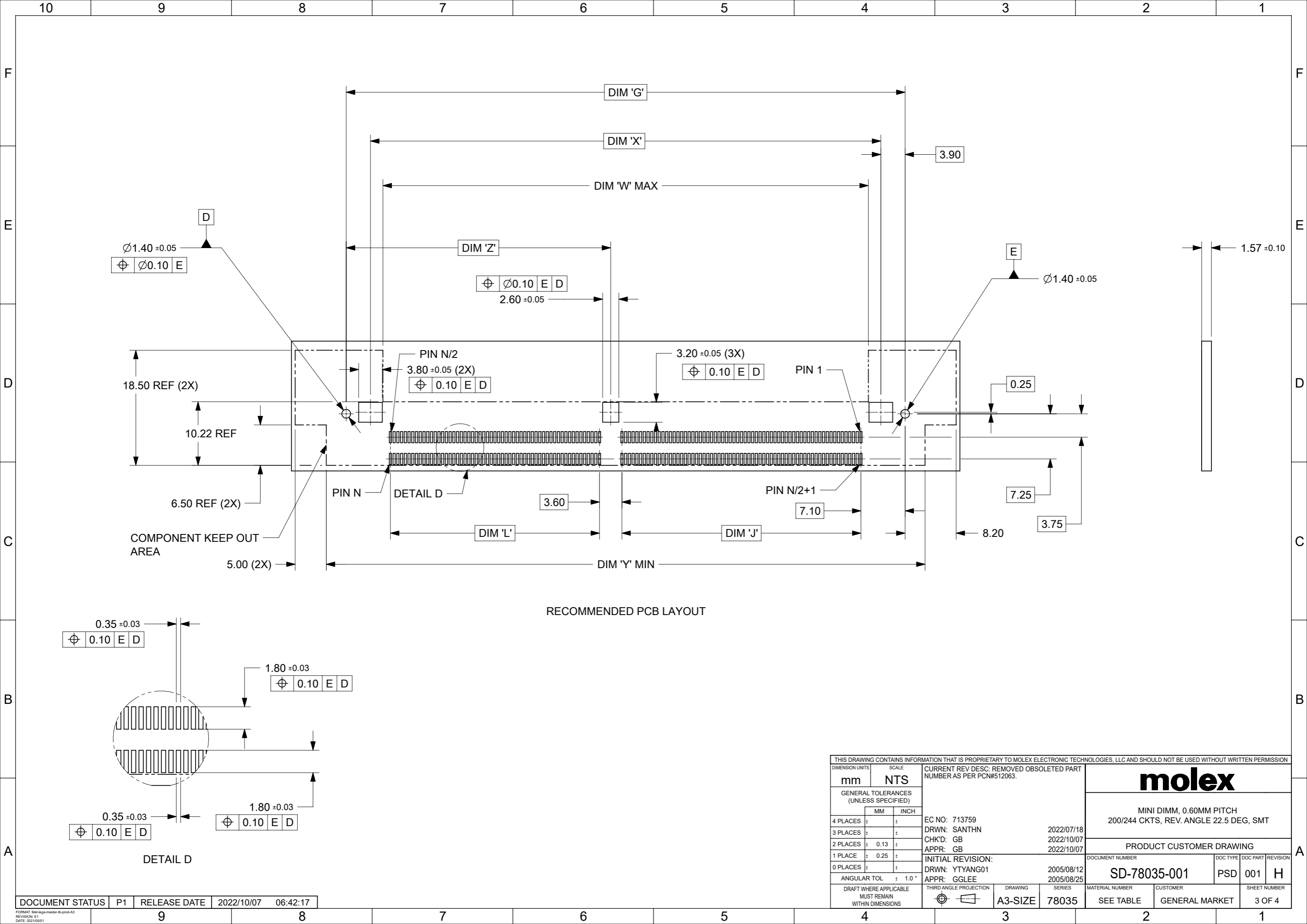
THIS DRAWING CONTAINS INFORMATION THAT IS PROPRIETARY TO MOLEX ELECTRONIC TECHNOLOGIES, LLC AND SHOULD NOT BE USED WITHOUT WRITTEN PERMISSION

DIMENSION UNITS		SCALE		CURRENT REV DESC: REMOVED OBSOLETE PART NUMBER AS PER PCN#512063.			
mm		NTS		<p>molex</p> <p>MINI DIMM, 0.60MM PITCH 200/244 CKTS, REV. ANGLE 22.5 DEG, SMT</p> <p>PRODUCT CUSTOMER DRAWING</p>			
GENERAL TOLERANCES (UNLESS SPECIFIED)							
		MM	INCH				
4 PLACES	±						
3 PLACES	±						
2 PLACES	±	0.13					
1 PLACE	±	0.25					
0 PLACES	±						
ANGULAR TOL		± 1.0 °		EC NO: 713759 DRWN: SANTHN 2022/07/18 CHK'D: GB 2022/10/07 APPR: GB 2022/10/07			
DRAFT WHERE APPLICABLE MUST REMAIN WITHIN DIMENSIONS		THIRD ANGLE PROJECTION		DRAWING		SERIES	
				A3-SIZE		78035	
DOCUMENT NUMBER		DOC TYPE		DOC PART		REVISION	
SD-78035-001		PSD		001		H	
MATERIAL NUMBER		CUSTOMER		SHEET NUMBER			
SEE TABLE		GENERAL MARKET		1 OF 4			



THIS DRAWING CONTAINS INFORMATION THAT IS PROPRIETARY TO MOLEX ELECTRONIC TECHNOLOGIES, LLC AND SHOULD NOT BE USED WITHOUT WRITTEN PERMISSION											
DIMENSION UNITS		SCALE		CURRENT REV DESC: REMOVED OBSOLETE PART NUMBER AS PER PCN#512063.							
mm		NTS									
GENERAL TOLERANCES (UNLESS SPECIFIED)											
		MM		INCH		EC NO: 713759		2022/07/18		MINI DIMM, 0.60MM PITCH	
4 PLACES		±		±		DRWN: SANTHN		2022/10/07		200/244 CKTS, REV. ANGLE 22.5 DEG, SMT	
3 PLACES		±		±		CHK'D: GB		2022/10/07		PRODUCT CUSTOMER DRAWING	
2 PLACES		± 0.13		±		APPR: GB		2022/10/07		DOCUMENT NUMBER	
1 PLACE		± 0.25		±		INITIAL REVISION:				DOC TYPE	
0 PLACES		±		±		DRWN: YTYANG01		2005/08/12		DOC PART	
ANGULAR TOL		± 1.0°		±		APPR: GGLEE		2005/08/25		REVISION	
DRAFT WHERE APPLICABLE MUST REMAIN WITHIN DIMENSIONS				THIRD ANGLE PROJECTION		DRAWING		SERIES		MATERIAL NUMBER	
						A3-SIZE		78035		CUSTOMER	
								SEE TABLE		GENERAL MARKET	
										SHEET NUMBER	
										2 OF 4	

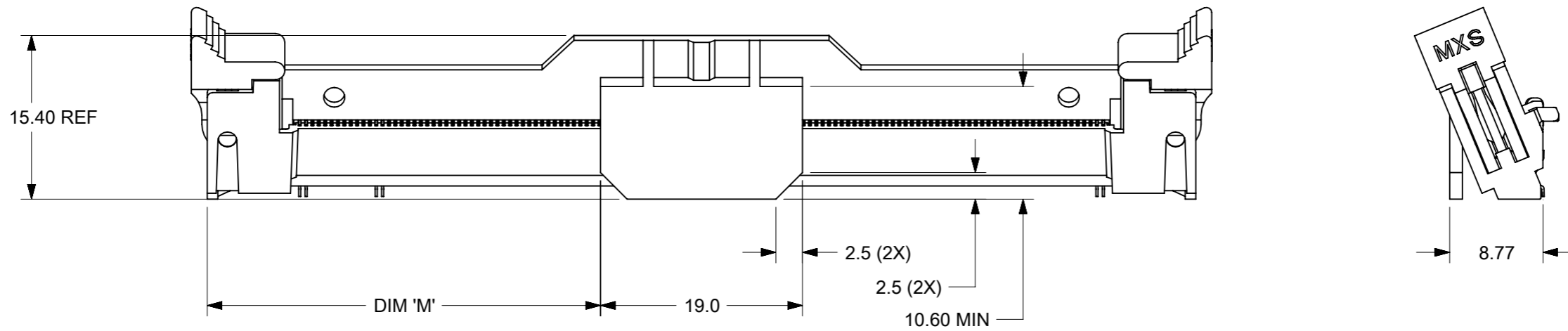
DOCUMENT STATUS	P1	RELEASE DATE	2022/10/07	06:42:17
-----------------	----	--------------	------------	----------



RECOMMENDED PCB LAYOUT

THIS DRAWING CONTAINS INFORMATION THAT IS PROPRIETARY TO MOLEX ELECTRONIC TECHNOLOGIES, LLC AND SHOULD NOT BE USED WITHOUT WRITTEN PERMISSION											
DIMENSION UNITS		SCALE		CURRENT REV DESC: REMOVED OBSOLETE PART NUMBER AS PER PCN#512063.							
mm		NTS									
GENERAL TOLERANCES (UNLESS SPECIFIED)											
		MM		INCH							
4 PLACES		±		±		EC NO: 713759		2022/07/18			
3 PLACES		±		±		DRWN: SANTHN		2022/10/07			
2 PLACES		± 0.13		±		CHK'D: GB		2022/10/07			
1 PLACE		± 0.25		±		APPR: GB		2022/10/07			
0 PLACES		±		±		INITIAL REVISION:					
ANGULAR TOL		± 1.0°				DRWN: YTYANG01		2005/08/12		DOCUMENT NUMBER	
						APPR: GGLEE		2005/08/25		SD-78035-001	
DRAFT WHERE APPLICABLE MUST REMAIN WITHIN DIMENSIONS				THIRD ANGLE PROJECTION		DRAWING		SERIES		MATERIAL NUMBER	
						A3-SIZE		78035		CUSTOMER	
										SEE TABLE	
										GENERAL MARKET	
										SHEET NUMBER	
										3 OF 4	

DOCUMENT STATUS	P1	RELEASE DATE	2022/10/07	06:42:17
-----------------	----	--------------	------------	----------



SHOW WITH PICK & PLACE COVER

CKT SIZE 'N'	PART NUMBER	MODULE CARD	VOLTAGE KEY	DIM 'R'	DIM 'E'	DIM 'J'	DIM 'L'	DIM 'M'	DIM 'P'	DIM 'G'	DIM 'S'	DIM 'T'	DIM 'U'	DIM 'V'	DIM 'W'	DIM 'X'	DIM 'Y'	DIM 'Z'	DIM 'A'	DIM 'B'	TRAY P/N PACKAGING SPEC
244	78035-0001	DDR2	1.8 V	1.30	39.60	38.40	33.60	37.0	79.0	89.80	96.0	106.20	78.00	82.00	78.0	82.00	96.20	42.50	93.0	75.60	89990-8198 89990-8199 PK-78035-001
	78035-0301	DDR3	1.5 V	2.30																	78888-8026 PK-78035-003 (HARDTRAY)
	78035-6301		1.8 V	1.30																	
	78035-6001	DDR2	1.8 V	1.30																	
200	78035-0202	DDR	2.5 V	2.30	24.60	23.40	35.40	30.40	65.8	76.60	82.8	93.00	64.80	68.80	64.8	68.80	83.00	44.30	79.8	62.40	89990-8196 89990-8197 PK-78035-002

THIS DRAWING CONTAINS INFORMATION THAT IS PROPRIETARY TO MOLEX ELECTRONIC TECHNOLOGIES, LLC AND SHOULD NOT BE USED WITHOUT WRITTEN PERMISSION

DIMENSION UNITS mm	SCALE NTS	CURRENT REV DESC: REMOVED OBSOLETE PART NUMBER AS PER PCN#512063.		molex	
GENERAL TOLERANCES (UNLESS SPECIFIED)		EC NO: 713759			
		DRWN: SANTHN		2022/07/18	
		CHK'D: GB		2022/10/07	
		APPR: GB		2022/10/07	
		INITIAL REVISION:		DOCUMENT NUMBER	
		DRWN: YTYANG01		SD-78035-001	
		APPR: GGLEE		DOC TYPE	
		ANGULAR TOL ± 1.0°		PSD	
DRAFT WHERE APPLICABLE MUST REMAIN WITHIN DIMENSIONS		THIRD ANGLE PROJECTION		DOC PART	
		DRAWING		001	
		SERIES		REVISION	
		A3-SIZE		H	
		78035		SHEET NUMBER	
		SEE TABLE		4 OF 4	
		GENERAL MARKET			