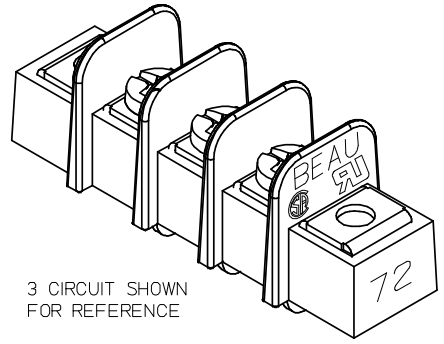
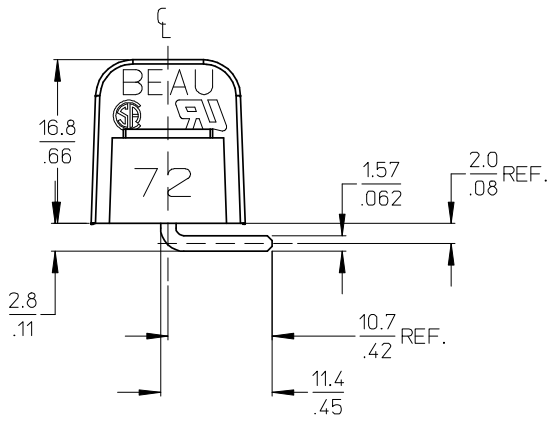
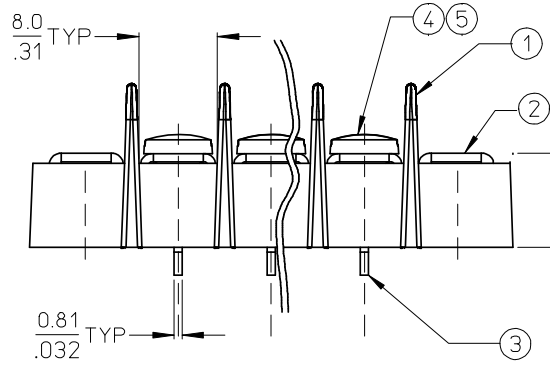


REF. -50 OPT. SCREW
(WHERE APPLICABLE)



3 CIRCUIT SHOWN
FOR REFERENCE



- NOTES:
 1. MATERIAL: SEE TABLE.
 2. FINISHES: SEE TABLE.
 3. PRODUCT SPECIFICATION: NOT REQUIRED.
 4. "XX" REFERS TO THE QUANTITY OF CIRCUITS.
 5. RHOS COMPLIANT.

| | | | | |
|------|------|---|-----------------|--------------------|
| 6 | XX | SCRW&WSHR,#6-32X.25 PANHD,PH-SL (OPT -50) | STEEL | ZN, CLEAR CHROMATE |
| 5 | XX | SCREW,#6-32X.250,PAN,PHIL-SLOT (OPT -49) | BRASS | NICKEL PLATE |
| 4 | XX | SCREW,#6-32X.250,BHD,PHIL-SLOT (STD) | STEEL | ZN, CLEAR CHROMATE |
| 3 | XX | TERMINAL, WIRE WRAP, #6-32 | BRASS | TIN PLATE |
| 2 | 2 | PLATE, MOUNTING #6 | BRASS | NICKEL PLATE |
| 1 | 1 | INSULATOR SR BTS PC | POLYESTER (PBT) | BLACK |
| ITEM | QTY. | DESCRIPTION | MATERIAL | FINISH |

INITIAL RELEASE
 EC NO: WNA2008-0402
 DRWN:JENC INAS 2008/07/28
 CHKD:CYORK 2008/08/15
 APPR:JMACNEIL 2008/08/15

QUALITY SYMBOLS
 ▽=0
 ▽=0

| GENERAL TOLERANCES (UNLESS SPECIFIED) | |
|--|--------------|
| 4 PLACES | ± --- ± --- |
| 3 PLACES | ± --- ± .005 |
| 2 PLACES | ± 0.13 ± .01 |
| 1 PLACE | ± 0.3 ± --- |
| ANGULAR ± 2 ° | |
| DRAFT WHERE APPLICABLE MUST REMAIN WITHIN DIMENSIONS | |

| DIMENSION STYLE | |
|-----------------|--------------|
| MM/IN | |
| DRAWN BY | DATE |
| JENC INAS | 2008/07/09 |
| CHECKED BY | DATE |
| CYORK | 2008/07/11 |
| APPROVED BY | DATE |
| JMACNEIL | 2008/07/11 |
| MATERIAL NO. | DOCUMENT NO. |
| SEE SHEET 2 | SD-38721-008 |

| | | |
|---|--------------|------------------------|
| SCALE | DESIGN UNITS | THIRD ANGLE PROJECTION |
| 2:1 | INCH | ☉ |
| TITLE | | |
| 9.53/.375 SR BTS PCB RIGHT ANGLE ASSEMBLY (728XX,-49,-50) | | |
| MOLEX INCORPORATED | | SHEET NO. |
| | | 1 OF 2 |
| THIS DRAWING CONTAINS INFORMATION THAT IS PROPRIETARY TO MOLEX INCORPORATED AND SHOULD NOT BE USED WITHOUT WRITTEN PERMISSION | | |

| QTY CKTS | DIM "A" | | DIM "B" | | DIM "C" | | DIM "D" | | MATERIAL # | MATERIAL # | MATERIAL # |
|----------|---------|-------|---------|-------|---------|--------|---------|------|------------|------------|------------|
| | MM | INCH | MM | INCH | MM | INCH | MM | INCH | STD. OPT. | -49 OPT. | -50 OPT. |
| 2 | 40.3 | 1.59 | 9.53 | 0.375 | 28.58 | 1.125 | 21.1 | 0.83 | 387215202 | 387215502 | 387215802 |
| 3 | 49.8 | 1.96 | 19.05 | 0.750 | 38.10 | 1.500 | 30.6 | 1.21 | 387215203 | 387215503 | 387215803 |
| 4 | 59.3 | 2.34 | 28.58 | 1.125 | 47.63 | 1.875 | 40.2 | 1.58 | 387215204 | 387215504 | 387215804 |
| 5 | 68.8 | 2.71 | 38.10 | 1.500 | 57.15 | 2.250 | 49.7 | 1.96 | 387215205 | 387215505 | 387215805 |
| 6 | 78.4 | 3.09 | 47.63 | 1.875 | 66.68 | 2.625 | 59.2 | 2.33 | 387215206 | 387215506 | 387215806 |
| 7 | 87.9 | 3.46 | 57.15 | 2.250 | 76.20 | 3.000 | 68.8 | 2.71 | 387215207 | 387215507 | 387215807 |
| 8 | 97.4 | 3.84 | 66.68 | 2.625 | 85.73 | 3.375 | 78.3 | 3.08 | 387215208 | 387215508 | 387215808 |
| 9 | 106.9 | 4.21 | 76.20 | 3.000 | 95.25 | 3.750 | 87.8 | 3.46 | 387215209 | 387215509 | 387215809 |
| 10 | 116.5 | 4.59 | 85.73 | 3.375 | 104.78 | 4.125 | 97.3 | 3.83 | 387215210 | 387215510 | 387215810 |
| 11 | 126.0 | 4.96 | 95.25 | 3.750 | 114.30 | 4.500 | 106.9 | 4.21 | 387215211 | 387215511 | 387215811 |
| 12 | 135.5 | 5.34 | 104.78 | 4.125 | 123.83 | 4.875 | 116.4 | 4.58 | 387215212 | 387215512 | 387215812 |
| 13 | 145.0 | 5.71 | 114.30 | 4.500 | 133.35 | 5.250 | 125.9 | 4.96 | 387215213 | 387215513 | 387215813 |
| 14 | 154.6 | 6.09 | 123.83 | 4.875 | 142.88 | 5.625 | 135.5 | 5.33 | 387215214 | 387215514 | 387215814 |
| 15 | 164.1 | 6.46 | 133.35 | 5.250 | 152.40 | 6.000 | 145.0 | 5.71 | 387215215 | 387215515 | 387215815 |
| 16 | 173.6 | 6.84 | 142.88 | 5.625 | 161.93 | 6.375 | 154.5 | 6.08 | 387215216 | 387215516 | 387215816 |
| 17 | 183.1 | 7.21 | 152.40 | 6.000 | 171.45 | 6.750 | 164.1 | 6.46 | 387215217 | 387215517 | 387215817 |
| 18 | 192.7 | 7.59 | 161.93 | 6.375 | 180.98 | 7.125 | 173.6 | 6.83 | 387215218 | 387215518 | 387215818 |
| 19 | 202.2 | 7.96 | 171.45 | 6.750 | 190.50 | 7.500 | 183.1 | 7.21 | 387215219 | 387215519 | 387215819 |
| 20 | 211.7 | 8.34 | 180.98 | 7.125 | 200.03 | 7.875 | 192.6 | 7.58 | 387215220 | 387215520 | 387215820 |
| 21 | 221.2 | 8.71 | 190.50 | 7.500 | 209.55 | 8.250 | 202.2 | 7.96 | 387215221 | 387215521 | 387215821 |
| 22 | 230.8 | 9.09 | 200.03 | 7.875 | 219.08 | 8.625 | 211.7 | 8.33 | 387215222 | 387215522 | 387215822 |
| 23 | 240.3 | 9.46 | 209.55 | 8.250 | 228.60 | 9.000 | 221.2 | 8.71 | 387215223 | 387215523 | 387215823 |
| 24 | 249.8 | 9.84 | 219.08 | 8.625 | 238.13 | 9.375 | 230.8 | 9.08 | 387215224 | 387215524 | 387215824 |
| 25 | 259.3 | 10.21 | 228.60 | 9.000 | 247.65 | 9.750 | 240.3 | 9.46 | 387215225 | 387215525 | 387215825 |
| 26 | 268.9 | 10.59 | 238.13 | 9.375 | 257.18 | 10.125 | 249.8 | 9.83 | 387215226 | 387215526 | 387215826 |

| | | | | | | | | | | |
|---|------------------|--|---|--|--|--|---------------------------|------------------------------|---------------------|--|
| INITIAL RELEASE EC NO: WNA2008-0402 DRAWN: JENCINAS 2008/07/28 CHKD: CYORK 2008/08/15 APPR: JMACNEIL 2008/08/15 | DESCRIPTION A | QUALITY SYMBOLS ▽=0 ▽=0 | GENERAL TOLERANCES (UNLESS SPECIFIED) mm INCH 4 PLACES ± --- ± --- 3 PLACES ± --- ± .005 2 PLACES ± 0.13 ± .01 1 PLACE ± 0.3 ± --- ANGULAR ± 2° | DIMENSION STYLE MM/IN DRAWN BY DATE JENCINAS 2008/07/09 CHECKED BY DATE CYORK 2008/07/11 APPROVED BY DATE JMACNEIL 2008/07/11 | SCALE 2:1 DESIGN UNITS INCH THIRD ANGLE PROJECTION | TITLE 9.53/.375 SR BTS PCB RIGHT ANGLE ASSEMBLY (728XX,-49,-50) | MATERIAL NO. SEE CHART | DOCUMENT NO. SD-38721-008 | SHEET NO. 2 OF 2 | |
| | | DRAFT WHERE APPLICABLE MUST REMAIN WITHIN DIMENSIONS | | | THIS DRAWING CONTAINS INFORMATION THAT IS PROPRIETARY TO MOLEX INCORPORATED AND SHOULD NOT BE USED WITHOUT WRITTEN PERMISSION | | | | | |
| | | | | | SIZE B | | | | | |
| | | | | | | | | | | |