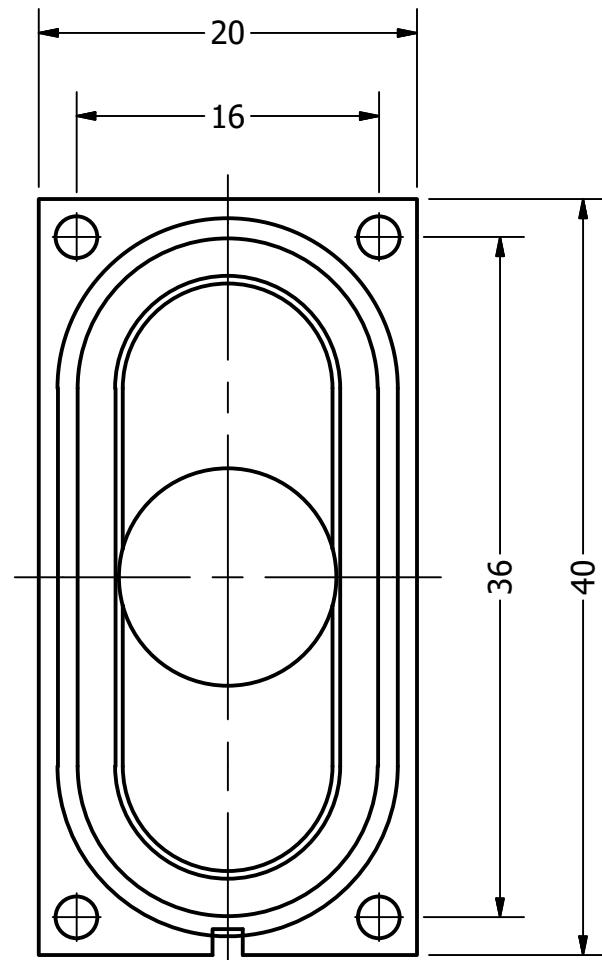
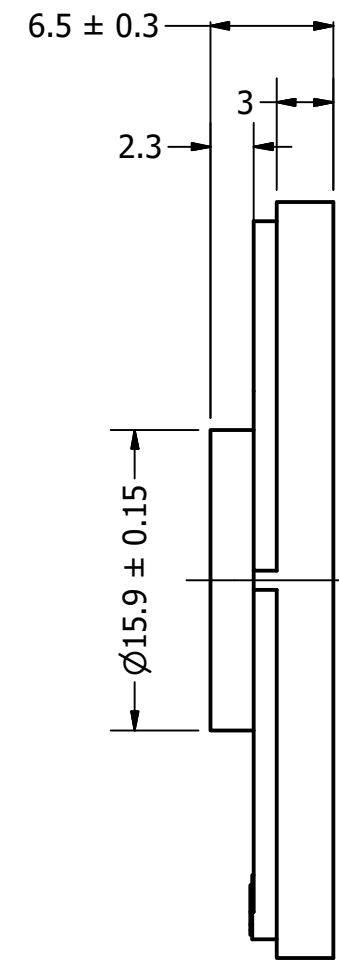


Part Number:	SW401404-1	
DESCRIPTION:	Waterproof Dynamic Speaker	
DRAWN	CJ	3/13/2017
CHECKED		10/2/2017
P.D.		10/2/2017
APPROVED	C.E.	10/2/2017
This document contains data proprietary to DB Unlimited. Any use or reproduction, in any form, without prior written permission of DB Unlimited is prohibited. All terms and conditions can be found at www.dbunlimitedco.com		

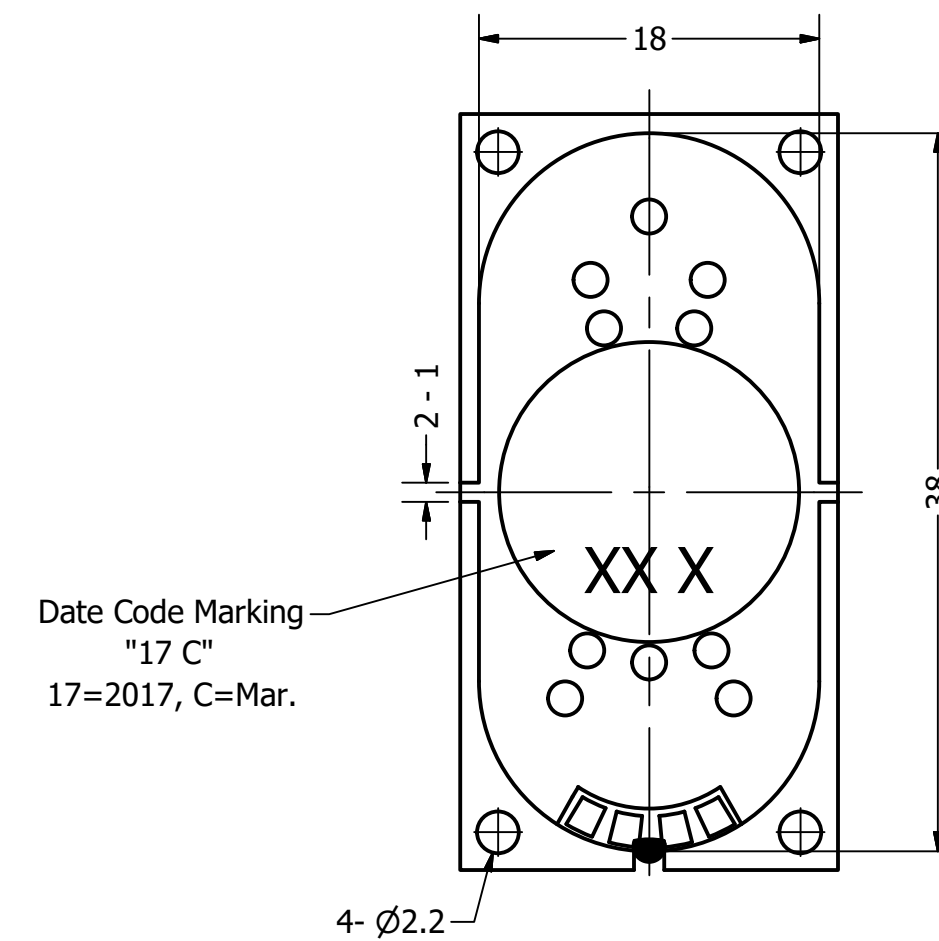
Top View



Side View



Bottom View



Items	Specifications	Conditions	REVISION HISTORY			
Sound Pressure Level	97	dB (@ 10cm), Avg.	REV	DESCRIPTION	DATE	APPROVED
Resonant Frequency	1,400	Hz	1	Released from Engineering	10/2/2017	C.E.
Frequency Range	300 ~ 10,000	Hz	2	Updated frequency range	12/27/2017	C.E.
Nominal Power	2	W		Update markings	2/28/2018	C.E.
Max. Power	3	W	NOTES			
Impedance	4	Ω	1) All dimensions are in mm unless otherwise noted			
Cone Material	Mylar		2) All tolerances are ± 0.2 mm unless otherwise noted			
Mount Type	Frame Mount		3) All parts meet RoHS			
IP Rating	IP67		4) Subject to change or redrawn without notice			
Storage Temperature	-20 ~ +55	°C				
Operating Temperature	-20 ~ +55	°C				
Weight	5.21	g				