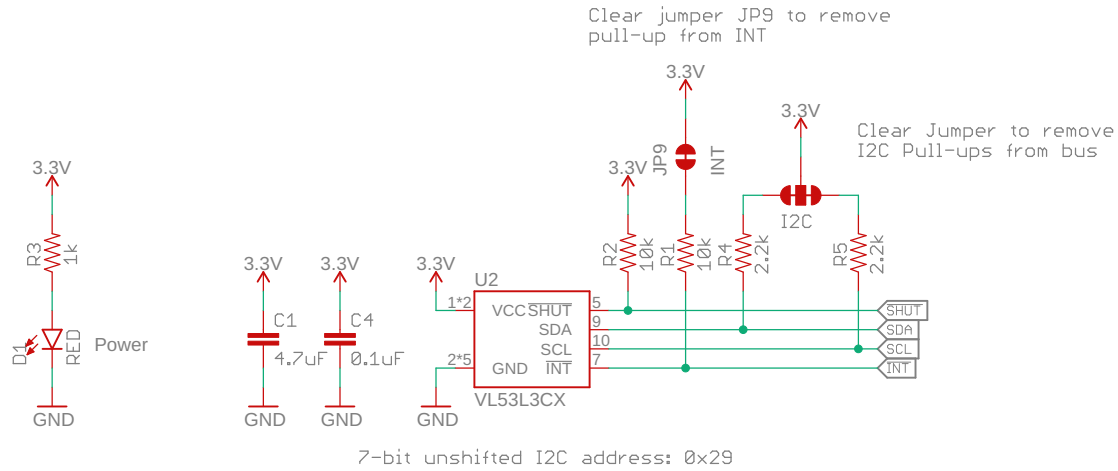
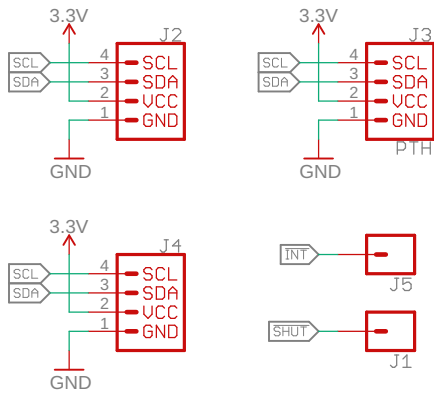


VL53L3CX Distance Sensor  
VCC: 2.3V-3.5V



I<sup>2</sup>C Connections



open hardware

Released under the Creative Commons Attribution Share-Alike 4.0 License <a href="https://creativecommons.org/licenses/by-sa/4.0/">https://creativecommons.org/licenses/by-sa/4.0/</a>		 
TITLE: Qwiic Multi Distance Sensor - VL53L3CX		
Design by: N. Seidle N. Poole A. England		REV: v10
Date: 8/23/2020 5:59 PM	Sheet: 1/1	