

R1973 SERIES ROCKER SWITCH

ANTI-VANDAL SWITCHES
DETECTOR SWITCHES
DIP SWITCHES
KEYLOCK SWITCHES
NAVIGATION SWITCHES
PUSHBUTTON SWITCHES
ROCKER SWITCHES
ROTARY SWITCHES
SLIDE SWITCHES
SNAP ACTION SWITCHES
TACTILE SWITCHES
TOGGLE SWITCHES
CAP OPTIONS



APPLICATIONS / MARKETS



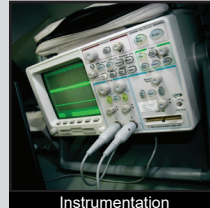
Home Appliances



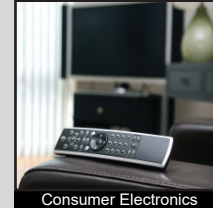
Medical Equipment



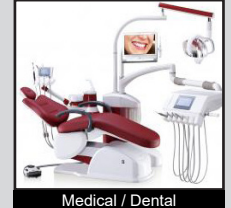
Electrical Houseware



Instrumentation



Consumer Electronics



Medical / Dental

RoHS

SPECIFICATIONS

Contact Rating: 9A @ 125VAC [cURus]
6A @ 250VAC [cURus]
4A(1) @ 250VAC [VDE]
Contact Arrangement: SPST, DPST
Electrical Life: 10,000 cycles
Mechanical Life: 30,000 cycles
Insulation Resistance: >1000 MΩ
Dielectric Strength: >1,500VAC for 1 minute
Operating Temperature: -30°C to 65°C
Storage Temperature: -30°C to 80°C
Panel Thickness: 0.7mm to 3.0mm

FEATURES & BENEFITS

- Agency approvals: cURus, VDE
- SPST and DPST
- Illumination options
- Multiple termination options
- Actuator marking available
- Standard 13mm x 19mm panel cutout size

PART NUMBER CONFIGURATOR

Series	Circuit	Housing Color	Actuator Color	Marking (see chart)	Termination	Lamp Voltage
<input type="text" value="R"/> <input type="text" value="1"/> <input type="text" value="9"/> <input type="text" value="7"/> <input type="text" value="3"/>	<input type="text" value="A"/> <input type="text" value="B"/>	<input type="text" value="BLK"/> <input type="text" value="WHT"/> <input type="text" value="GRY"/>	<input type="text" value="BLK"/> <input type="text" value="RED"/> <input type="text" value="GRY"/> <input type="text" value="YIL"/> <input type="text" value="GIL"/> <input type="text" value="RIL"/> <input type="text" value="BIL"/>	<input type="text" value="A"/> <input type="text" value="D"/> <input type="text" value="E"/> <input type="text" value="F"/> <input type="text" value="G"/> <input type="text" value="I"/>	<input type="text" value="F"/> <input type="text" value="R"/>	<input type="text" value="0"/> <input type="text" value="1"/> <input type="text" value="2"/> <input type="text" value="3"/> <input type="text" value="4"/>
R1973	A - SPST B - DPST	BLK - Black WHT - White GRY - Grey	BLK - Black RED - Red GRY - Grey YIL - Yellow Illuminated GIL - Green Illuminated RIL - Red Illuminated BIL - Blue Illuminated		F - Faston R - Right Angle PC Pin	0 - No Lamp 1 - Neon Bulb 125V-AC 2 - Neon Bulb 250V-AC 3 - LED 12V-DC 4 - LED 24V-DC

Specifications subject to change without notice 7.27.2020



E-SWITCH®

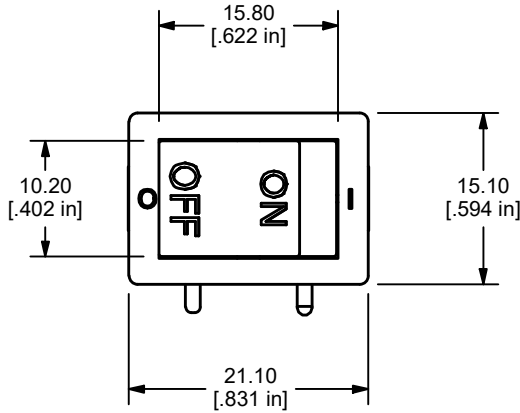
www.e-switch.com

800.867.2717

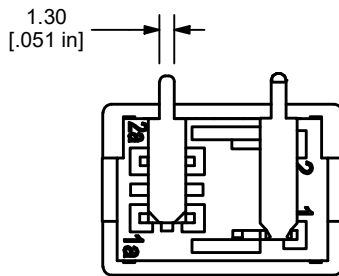
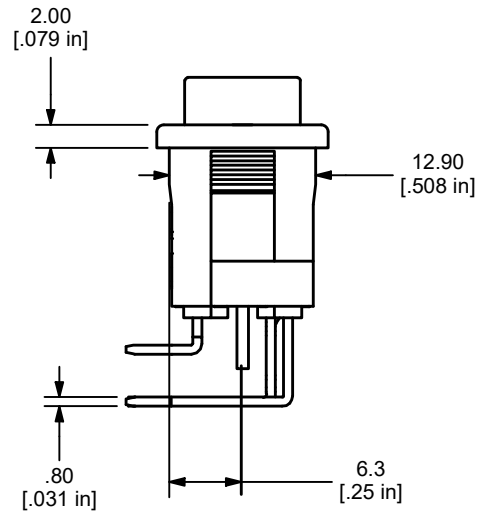
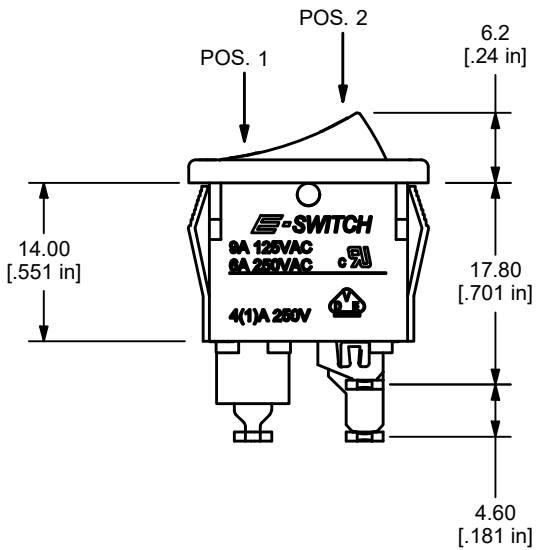
1

R1973 SERIES ROCKER SWITCH

BODY DIMENSIONS



MODEL NO.	POS. 1	POS. 2
A - SPST	OFF	ON
TERMINAL CLOSURE	OPEN	1-1a or 2-2a for NON-ILLUMINATED RIGHT ANGLE PC PIN



"R" TERMINAL
(RIGHT ANGLE TERMINALS BENT
TOWARDS THE LOGO SIDE)

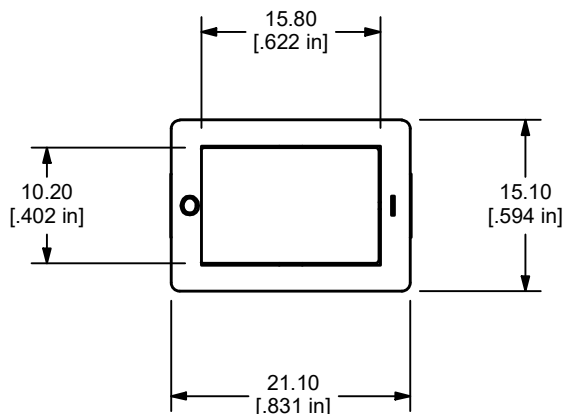
SHOWN WITH
A - SPST ILLUMINATED
I - MARKING
R - RIGHT ANGLE PC PIN



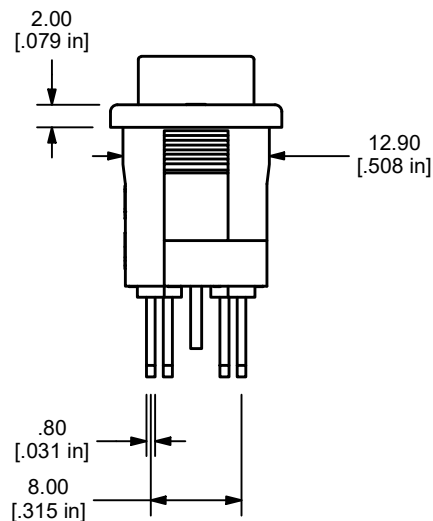
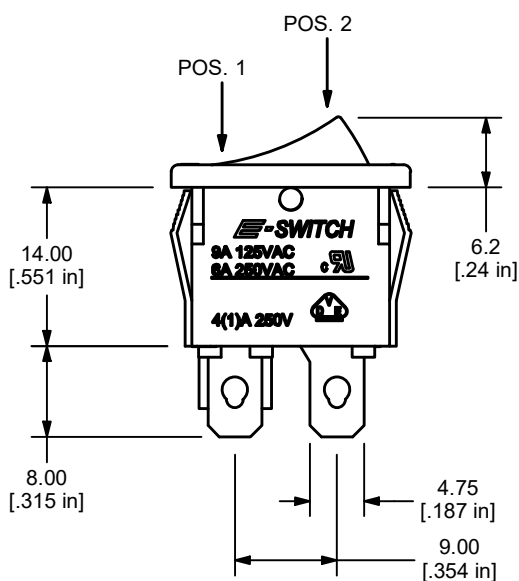
ANTI-VANDAL
DETECTOR
SWITCHES
DIP
SWITCHES
KEYLOCK
SWITCHES
NAVIGATION
SWITCHES
PUSHBUTTON
SWITCHES
ROCKER
SWITCHES
ROTARY
SWITCHES
SLIDE
SWITCHES
SNAP ACTION
SWITCHES
TACTILE
SWITCHES
TOGGLE
SWITCHES
CAP
OPTIONS

R1973 SERIES ROCKER SWITCH

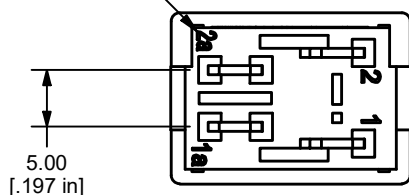
BODY DIMENSIONS



MODEL NO.	POS. 1	POS. 2
B - DPST	OFF	ON
TERMINAL CLOSURE	OPEN	1-1a, 2-2a



TERMINAL DESIGNATIONS
(DPST VERSION SHOWN)



SHOWN WITH
B - DPST
E - MARKING
F - FASTON



E-SWITCH®

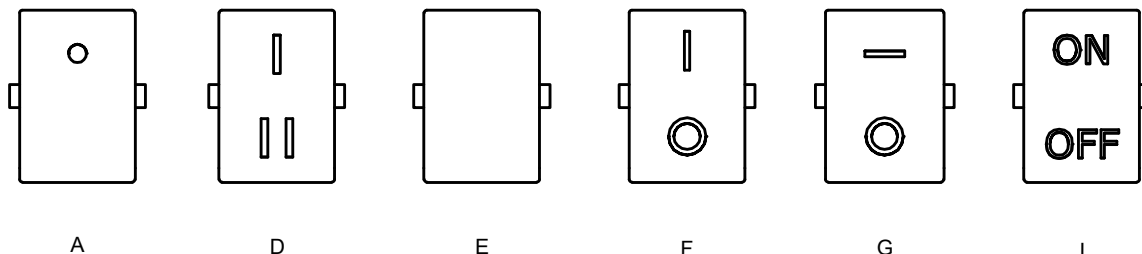
www.e-switch.com

800.867.2717

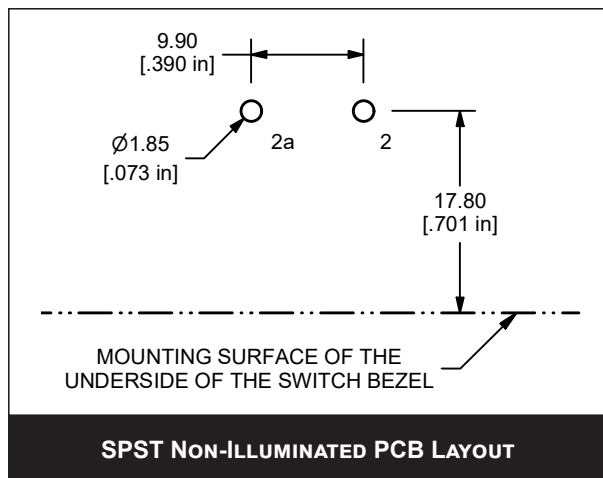
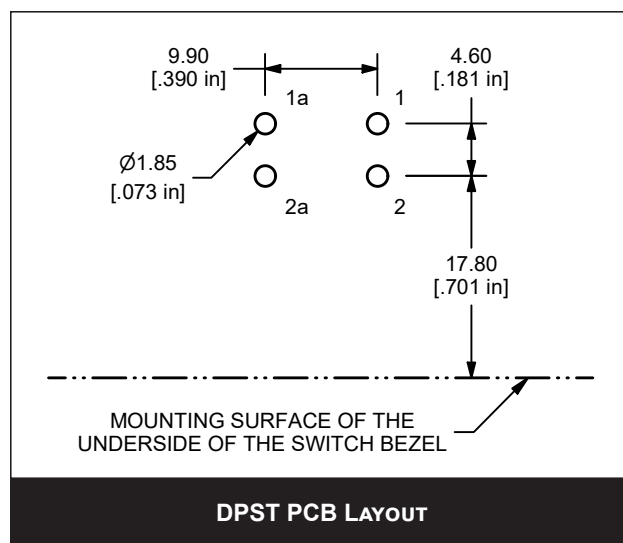
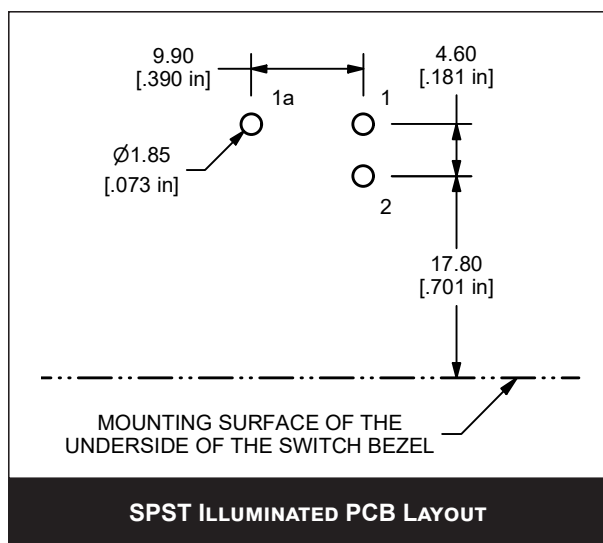
3

R1973 SERIES ROCKER SWITCH

MARKING OPTIONS

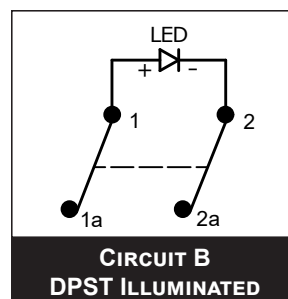
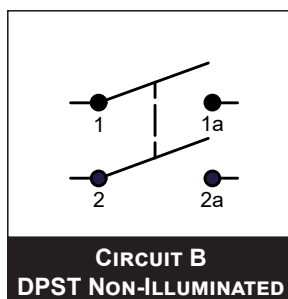
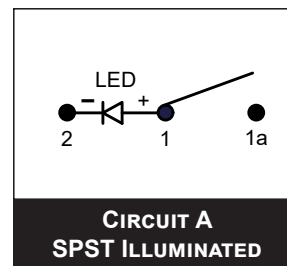
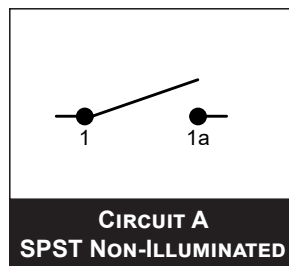
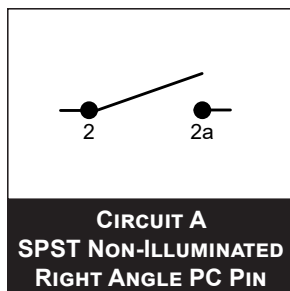


PCB LAYOUTS



R1973 SERIES ROCKER SWITCH

SCHEMATICS



PANEL CUTOUT

