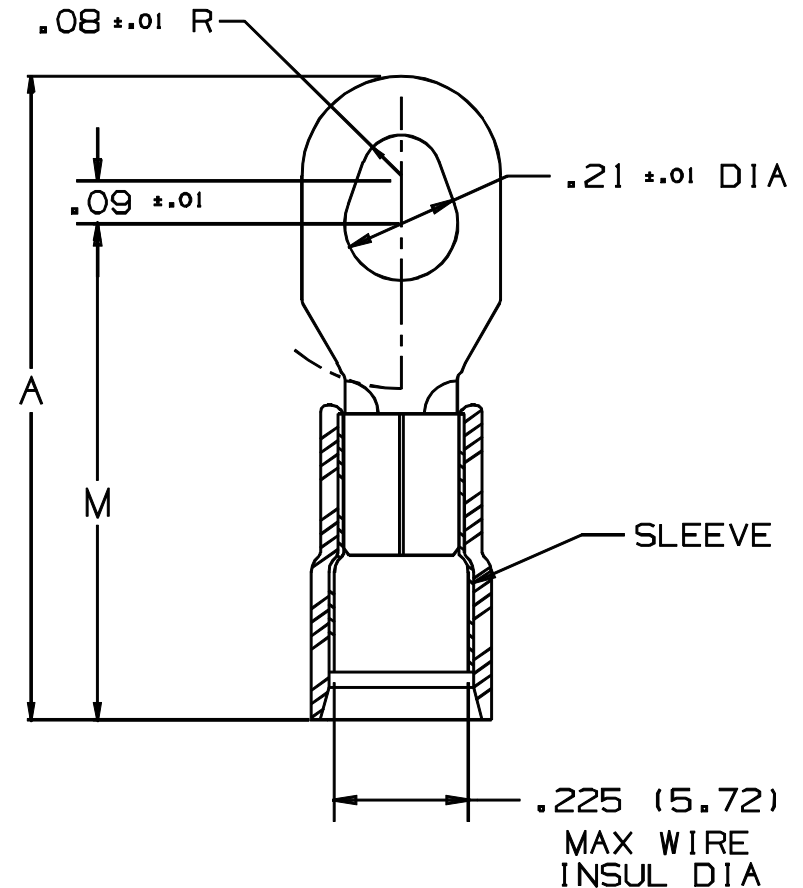


THIS COPY IS PROVIDED ON A RESTRICTED BASIS AND IS NOT TO BE USED IN ANY WAY DETRIMENTAL TO THE INTERESTS OF PANDUIT CORP.

PANDUIT PART NUMBER	STUD SIZE	DIMENSIONS in.			
		A $\pm .04$	W $\pm .01$	C $\pm .02$	M $\pm .04$
PN10-610R	#6, #8, #10	1.17 (29.7)	.37 (9.4)	.33 (8.38)	.87 (22.1)

NOTES:


- UL LISTED AND CSA CERTIFIED FOR:
 - 600V. MAX. BLDG WIRE
(1000 V. MAX IN SIGNS, FIXTURES & LUMINAIRES).
 - #14-10 AWG SOLID OR STRANDED
COPPER WIRE WITH THE CT-550,
INSTALLATION TOOL.
 - #12-10 AWG SOLID OR STRANDED
COPPER WIRE WITH THE CT-100
INSTALLATION TOOL.
 - #12 AWG SOL/STR OR #10 AWG STR COPPER
WIRE WITH THE CT-1550 & CT-1551
INSTALLATION TOOLS.
 - 221°F (105°C) MAX TEMP. RATING
- MATERIAL:
 - STAMPING - .04" (1.02) THK COPPER, TIN PLATED
 - HOUSING - NYLON, YELLOW
 - SLEEVE - BRASS, TIN PLATED
- STRIP LENGTH - $9/32 \pm 1/32$ ₋₀
- PACKAGE QTY:
 - L=50
 - D=500
- DIMENSIONS IN BRACKETS ARE IN MILLIMETERS



UL
LISTED
587H
E52164

CSA
CERTIFIED
LR31212

A41589_02

02	1/01	RM		FILESPEC WAS N41589AA_PCD_01				 TINLEY PARK, ILLINOIS PN10-610R, NYLON INSULATED MULTI-STUD TERMINAL
01	5/99	ED		UPDATED "A" & "M" DIM.S. AND MODIFIED DIMENSIONAL TOLERANCES	07667			
00	3/96	ED	RLS	RELEASED	04191	LA		
REV	DATE	BY	CHK	DESCRIPTION	ECN #	CUST	PM	DRAWN BY EJD Ck'D RLS SCALE NONE DRAWING NO. A41589