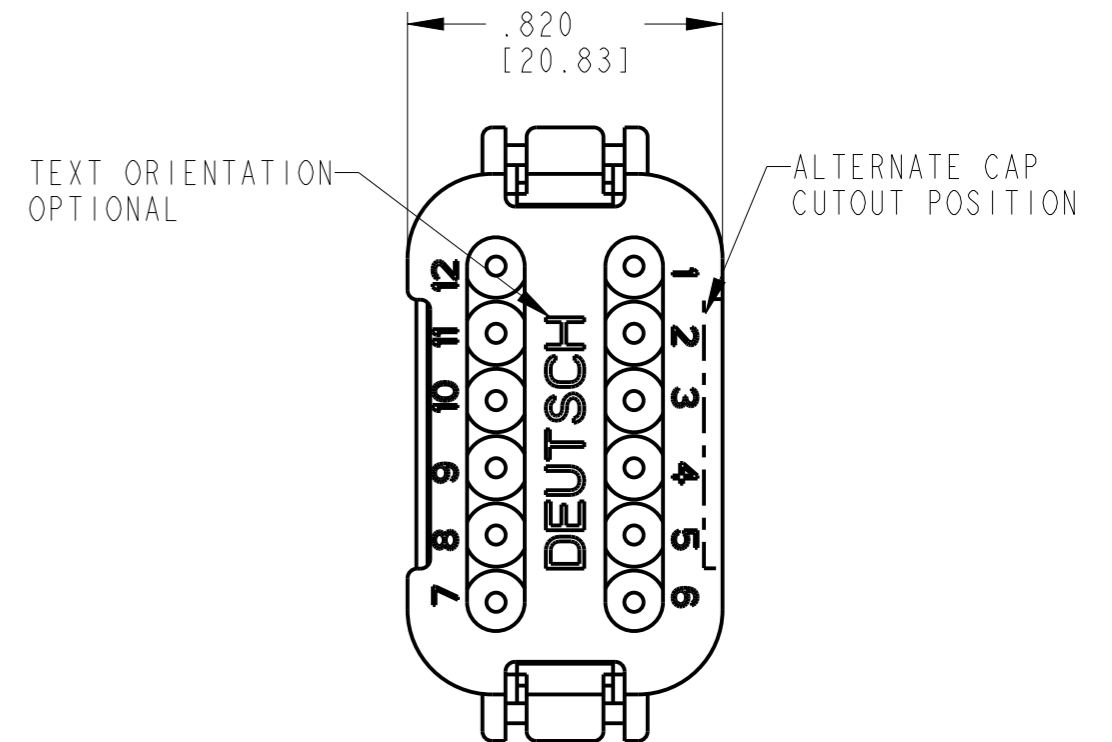
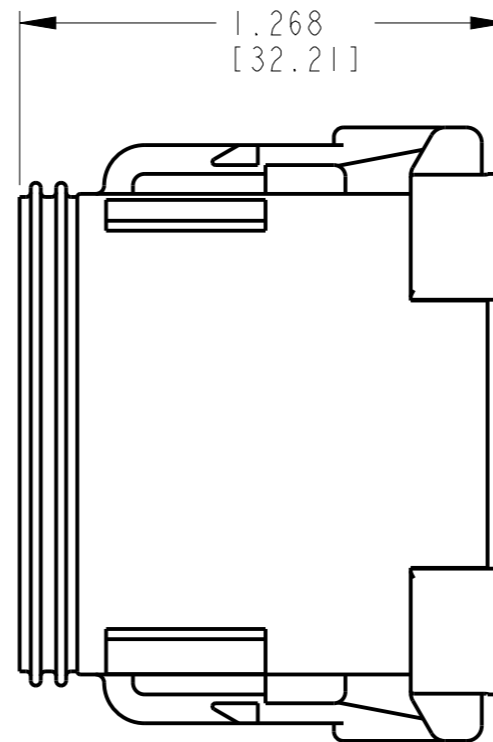
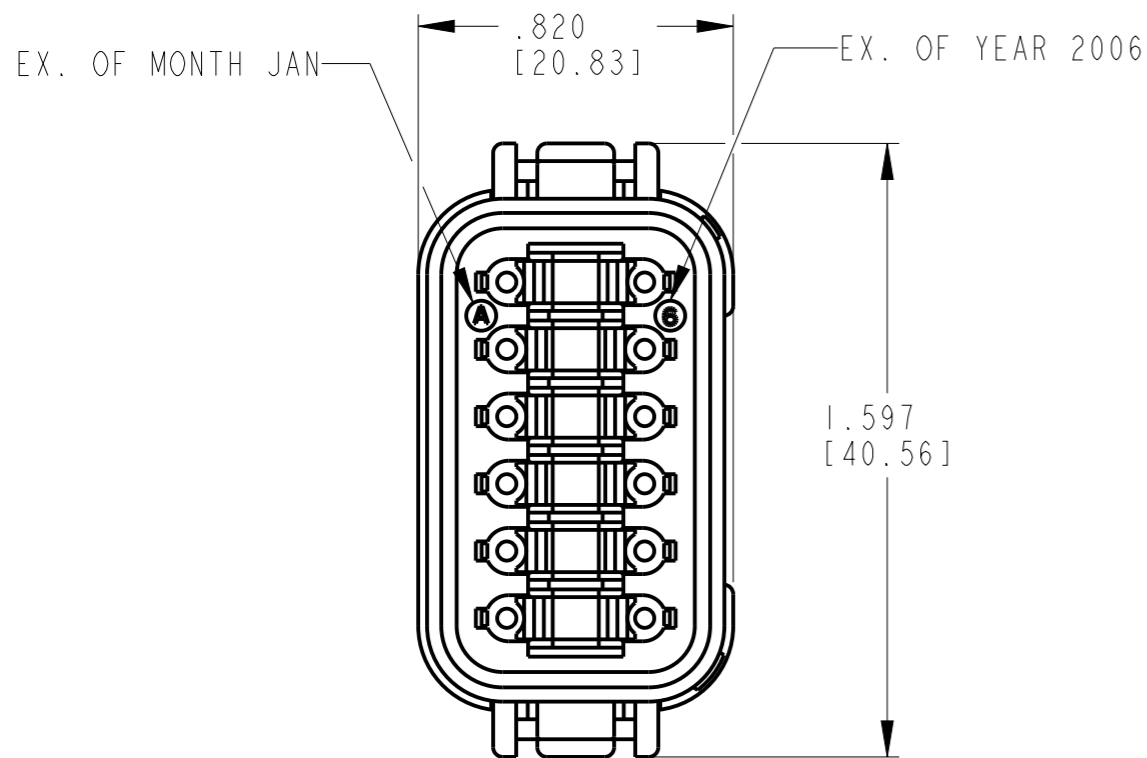


P	LTR	DESCRIPTION	DATE	DWN	APVD
-		RELEASE PER E.O. P18204	27JUN2003	-	RDR
A		RELEASE PER E.O. P18506	19MAR2004	-	RDR
A1		REVISED PER PCN E-21-003625	08APR2021	MK	IG



4. THIS PLUG MATES WITH DT04-12P*-**** RECEPTACLE.
 (**** = ALL MODIFICATIONS * = A,B,C,D KEY ARR.)
 CONSULT FACTORY FOR ALL MODIFICATIONS.

3 FOR CONTACTS AND WIRE PERFORMANCE AND APPLICATION CHARACTERISTICS,
 SEE SPECIFICATION 0425-015-0000.

2 MATERIAL: SHELL: HOUSING: PA66 GF15
 GROMMET: VMQ (RED-ORANGE)
 FRONT SEAL: VMQ (RED-ORANGE)

1. USE WITH WEDGELOCK WI2S SOLD SEPARATELY

CONTACT SIZE	MIN. INSUL O.D.	MAX. INSUL O.D.	WIRE RANGE [mm ²]
16	.088 [2.24]	.145 [3.68]	14-20 AWG [2.0-0.5]

THIS DRAWING IS A CONTROLLED DOCUMENT.		DWN Y. YOHANNES 09JUN2003	TE Connectivity	
DIMENSIONS: IN [mm]		CHK S. BEARD 18MAR2004		
TOLERANCES UNLESS OTHERWISE SPECIFIED:		APVD S. BEARD 16MAR2004	NAME 12 WAY PLUG -E003 MOD. DT SERIES	
0 PLC ±- 1 PLC ±- 2 PLC ±- 3 PLC ±.025[0.63] 4 PLC ±- ANGLES ±-		PRODUCT SPEC 108-151009	RESTRICTED TO	
MATERIAL 2		FINISH	APPLICATION SPEC 114-151009	SIZE A3
		WEIGHT 16 GR	CAGE CODE 00779	DRAWING NO G-DT06-12SX-E003
		CUSTOMER DRAWING	SCALE 1:1	SHEET 1 OF 2
				REV A1

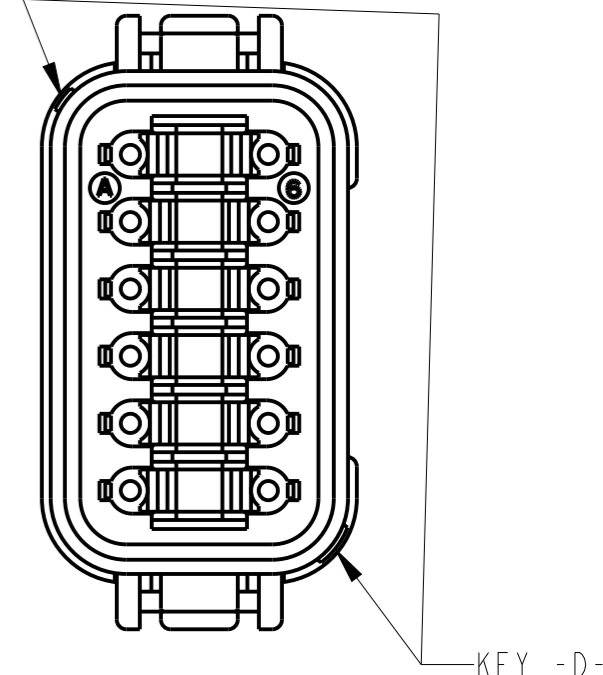
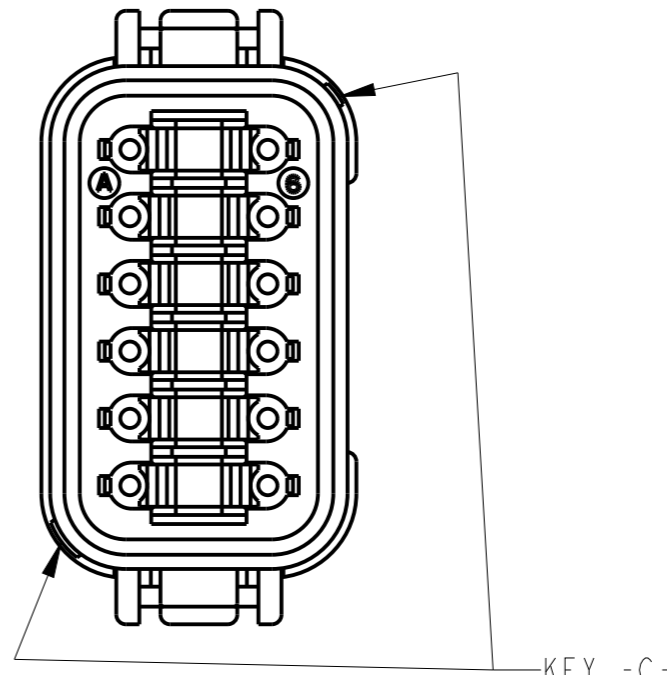
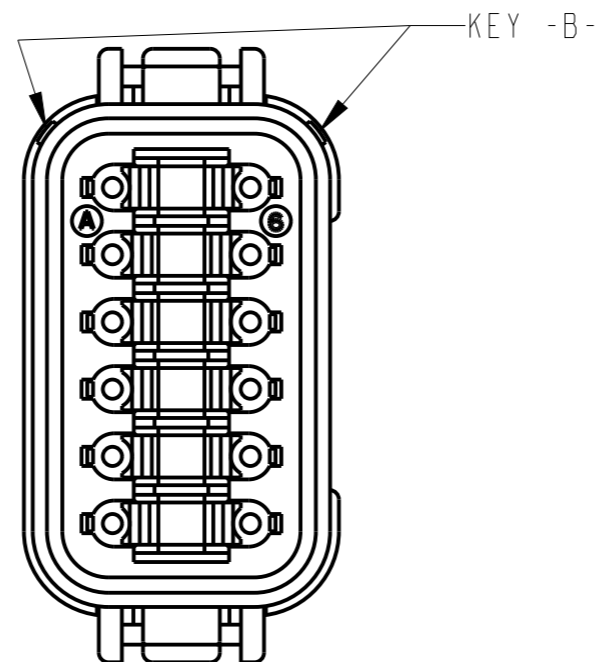
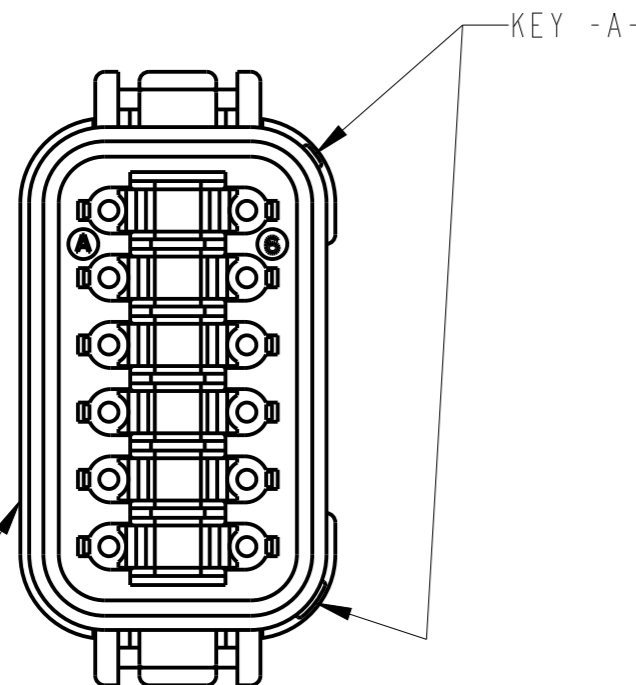
P	LTR	DESCRIPTION	DATE	DWN	APVD
-		SEE SHEET 1	-	-	-

PART NO.: DT06-12SA-E003
KEY ARR. -A-
COLOR: GRAY

PART NO.: DT06-12SB-E003
KEY ARR. -B-
COLOR: BLACK

PART NO.: DT06-12SC-E003
KEY ARR. -C-
COLOR: GREEN

PART NO.: DT06-12SD-E003
KEY ARR. -D-
COLOR: BROWN



ALTERNATE CAP
CUTOUT POSITION
ALL KEYS

NOTES: SEE SHEET ONE

THIS DRAWING IS A CONTROLLED DOCUMENT.		DWN Y. YOHANNES 09 JUN 2003				
DIMENSIONS: IN [mm]		CHK S. BEARD 18 MAR 2004				
TOLERANCES UNLESS OTHERWISE SPECIFIED:		APVD S. BEARD 16 MAR 2004	NAME 12 WAY PLUG -E003 MOD. DT SERIES			
0 PLC ±-		PRODUCT SPEC 108-151009	SIZE A3	CAGE CODE 00779	DRAWING NO G-DT06-12SX-E003	RESTRICTED TO -
1 PLC ±-		APPLICATION SPEC 114-151009	SCALE 1:1		SHEET 2 OF 2	REV A1
2 PLC ±-		WEIGHT 16 GR	CUSTOMER DRAWING			
3 PLC ±.025[0.63]						
4 PLC ±-						
ANGLES ±-						
MATERIAL	FINISH					