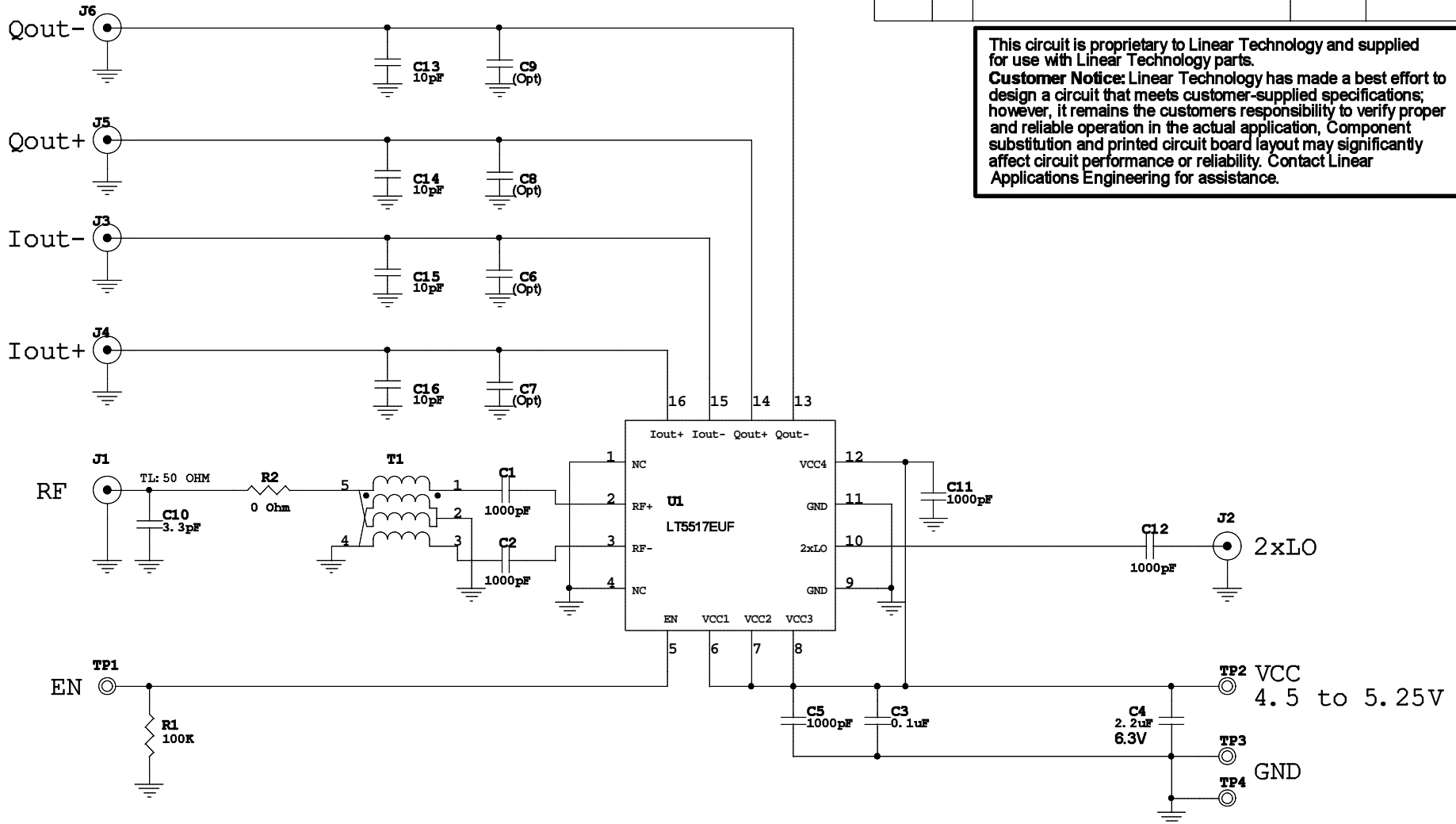


REVISION HISTORY

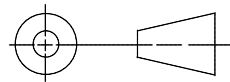
ECO	REV	DESCRIPTION	DATE	APPROVED
	0	PROTO	04/15/03	

This circuit is proprietary to Linear Technology and supplied for use with Linear Technology parts.
Customer Notice: Linear Technology has made a best effort to design a circuit that meets customer-supplied specifications; however, it remains the customers responsibility to verify proper and reliable operation in the actual application, Component substitution and printed circuit board layout may significantly affect circuit performance or reliability. Contact Linear Applications Engineering for assistance.



Monday, January 12, 2004

UNLESS OTHERWISE SPECIFIED
 DIMENSIONS ARE IN INCHES
 TOLERANCE ON ANGLE ---
 2 PLACES --- 3 PLACES ---
 INTERPRET DIM AND TOL
 PER ASME Y14.5M -1994



DO NOT SCALE DRAWING

CONTRACT NO.

APPROVALS

DRAWN RudyB

CHECKED

APPROVED

ENGINEER

DESIGNER

Monday, January 12, 2004

DATE

04/15/03



1630 McCarthy Blvd.
 Milpitas, CA 95035
 Phone: (408)432-1900
 Fax: (408)434-0507

TITLE
 Quadrature Demodulator
 LT5517EUF

SIZE	CAGE CODE	DWG NO DC678A	REV 0
------	-----------	------------------	----------

SCALE:NONE	FILENAME:DC678A.DSN	SHEET 1 OF 1
------------	---------------------	--------------