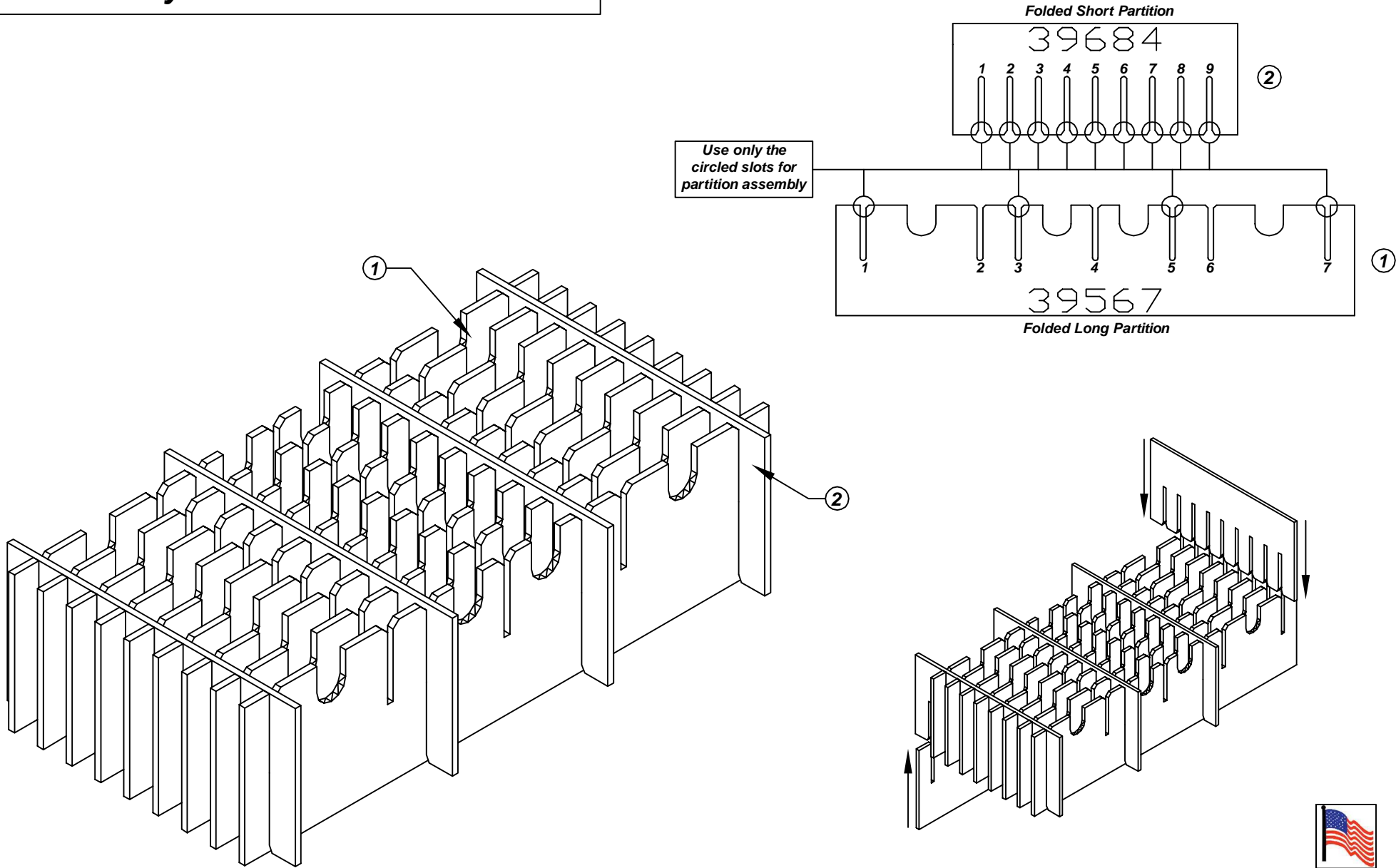


Assembly Instructions for - 37292



Made in America

F/N ①	Part # 39567	Dimensions: 12-1/8" x 22-3/4"	Description: 448/446 - LP Long Partition	Qty: 9
F/N ②	Part # 39684	Dimensions: 12-1/8" x 12-1/2"	Description: 446 - SP Short Partition	Qty: 4

37292 - 30 Cell Inplant Handler Cell Size - 6" x 6-1/2" x 1"

Notes:
For use with the following storage container & lid:
37516 - Storage Container
37552 - Lid

PROTEKTIVE PAK
13520 MONTE VISTA AVENUE, CHINO, CA 91710
PHONE (909) 627-2578, FAX (909) 363-7331
ProtektivePak.com



DRAWING NUMBER
IPH-37292

DATE
Dec.
2007