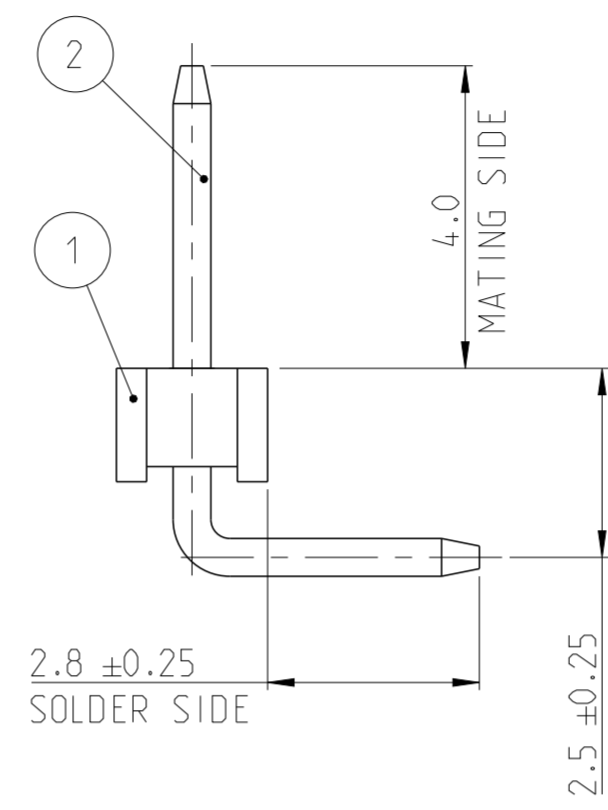
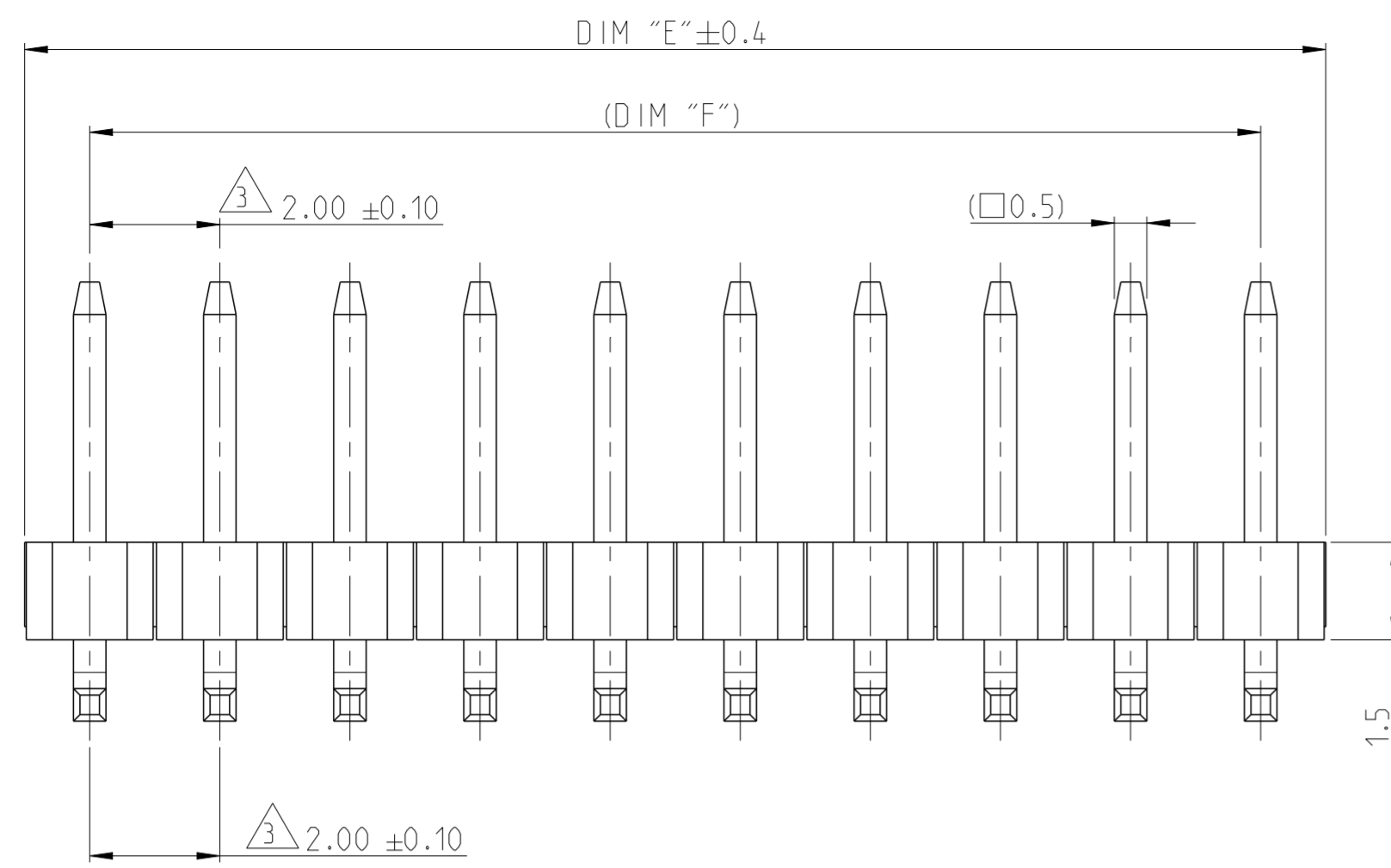
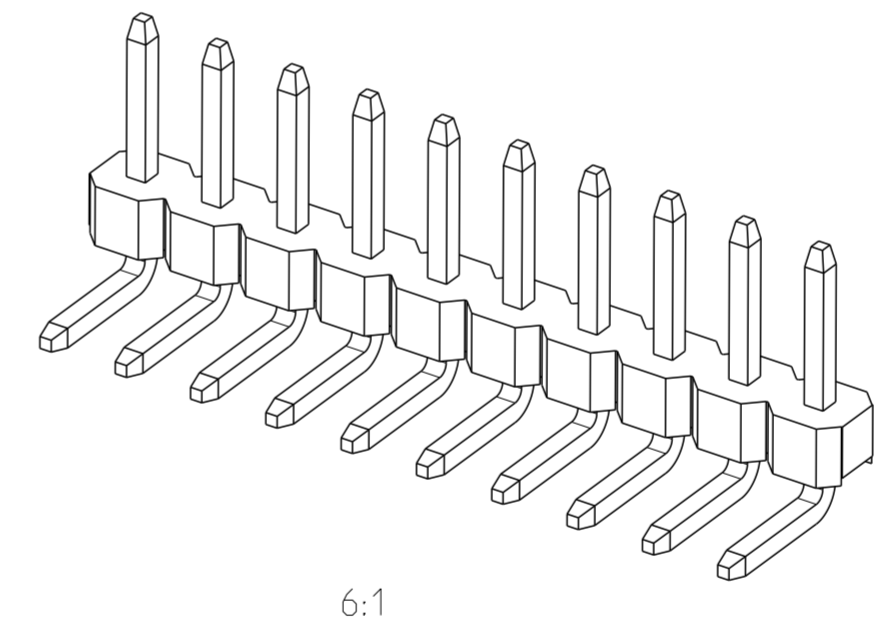
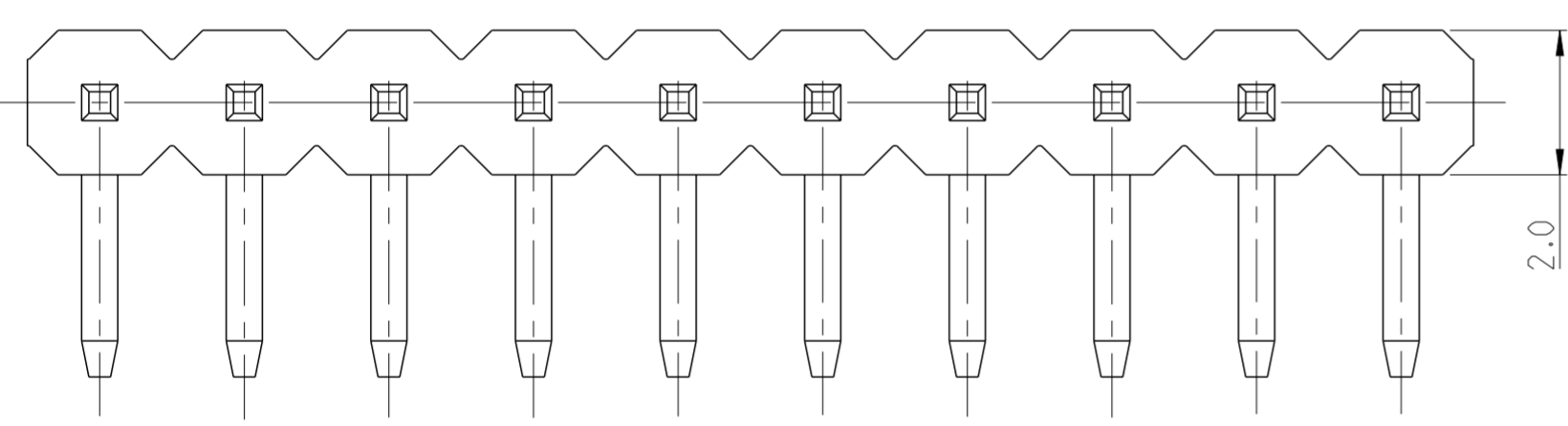


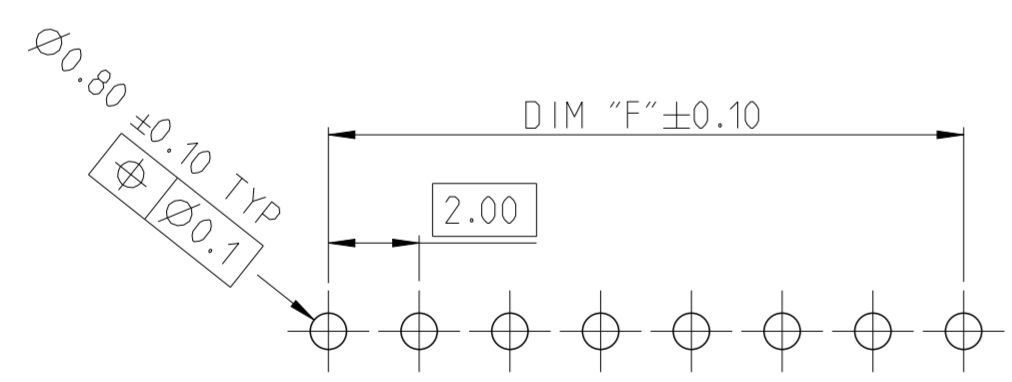
P	LTR	DESCRIPTION	DATE	DWN	APVD
A		RELEASE TO PRODUCTION	27AUG2019	AY	PS
A1		REMOVED TOLERANCE FROM DIM F	17DEC2019	AY	PS



- NOTES:
- MATERIAL
HOUSING : HIGH TEMPERATURE THERMOPLASTIC, UL94-V0; COLOR- BLACK
CONTACT PIN : COPPER ALLOY
FINISH :
MATING SIDE: MIN. 0.38 μ m GOLD OVER NICKEL UNDER PLATING.
SOLDER SIDE: MIN. 2.0 μ m BRIGHT TIN OVER NICKEL UNDER PLATING.
 - PACKAGING: TUBE.
 - TOLERANCE NOT CUMULATIVE.
 - CUTTING BURR MAX. 0.25 mm.

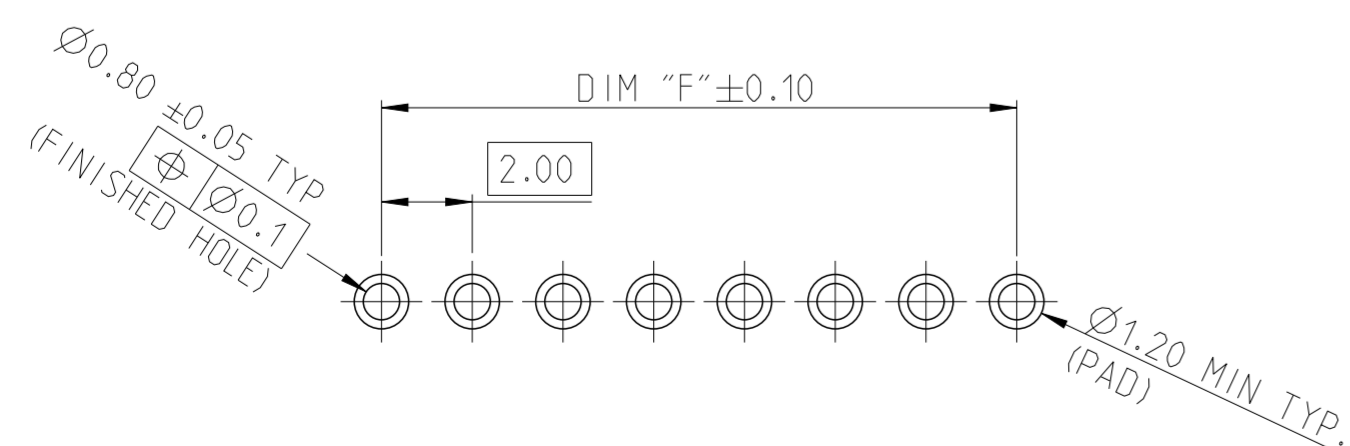


DIM "F"	DIM "E"	POS	TE PN
48.0	50.0	25	2-2842111-5
46.0	48.0	24	2-2842111-4
44.0	46.0	23	2-2842111-3
42.0	44.0	22	2-2842111-2
40.0	42.0	21	2-2842111-1
38.0	40.0	20	2-2842111-0
36.0	38.0	19	1-2842111-9
34.0	36.0	18	1-2842111-8
32.0	34.0	17	1-2842111-7
30.0	32.0	16	1-2842111-6
28.0	30.0	15	1-2842111-5
26.0	28.0	14	1-2842111-4
24.0	26.0	13	1-2842111-3
22.0	24.0	12	1-2842111-2
20.0	22.0	11	1-2842111-1
18.0	20.0	10	1-2842111-0
16.0	18.0	9	2842111-9
14.0	16.0	8	2842111-8
12.0	14.0	7	2842111-7
10.0	12.0	6	2842111-6
8.0	10.0	5	2842111-5
6.0	8.0	4	2842111-4
4.0	6.0	3	2842111-3
2.0	4.0	2	2842111-2



RECOMMENDED PCB HOLE PATTERN FOR THROUGH HOLE WAVE

1-2842111-0 AS SHOWN



RECOMMENDED PCB HOLE PATTERN FOR THROUGH HOLE REFLOW /PIN-IN-PASTE

CONTACT PIN	2
HOUSING	1
DESCRIPTION	ITEM NO.

THIS DRAWING IS A CONTROLLED DOCUMENT.

DIMENSIONS: mm	TOLERANCES UNLESS OTHERWISE SPECIFIED: 0 PLC ± 1 PLC ±0.2 2 PLC ±0.15 3 PLC ± 4 PLC ±	DWN ANKIT YADAV 01AUG2019 CHK KARTHIK JK 14AUG2019 APVD PRASHANTH S 16AUG2019	NAME AMPMODU 2mm BREAKAWAY HEADER, SINGLE ROW, RIGHT ANGLE, 0.38 Au, TUBE
	ANGLES ±°	PRODUCT SPEC 108-64040	SIZE A2
MATERIAL SEE NOTES	FINISH -	APPLICATION SPEC 114-32259	CAGE CODE 00779
		WEIGHT -	DRAWING NO C-2842111
		CUSTOMER DRAWING	RESTRICTED TO -

SCALE 5:1 SHEET 1 OF 1 REV A1