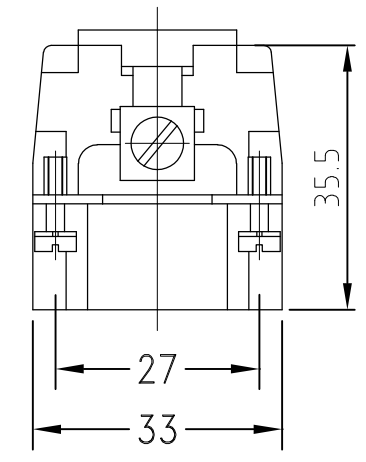
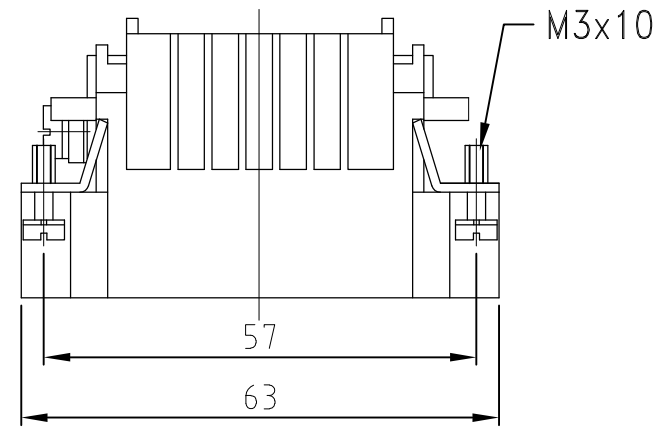


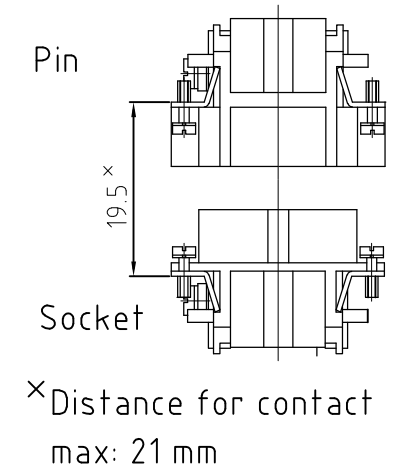
THIS DRAWING IS UNPUBLISHED. RELEASED FOR PUBLICATION  
 © COPYRIGHT - BY TYCO ELECTRONICS CORPORATION. ALL INTERNATIONAL RIGHTS RESERVED.

| LOC | DIST | REVISIONS |     |   |          |     |      |
|-----|------|-----------|-----|---|----------|-----|------|
|     |      | P         | LTR | DESCRIPTION                                   | DATE     | DWN | APVD |
| A1  | -    |           | A3  | UL-File entfällt EGD0-0218-03 UL-file removed | 29.09.03 | SR  | SM   |
|     |      |           | A4  | REVISED PER ECO-11-002591                     | 11FEB11  | HMR | MM   |

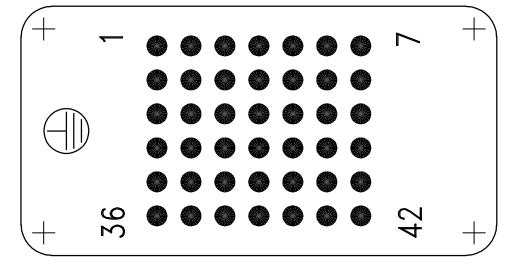
Maßbild  
Outline drawing



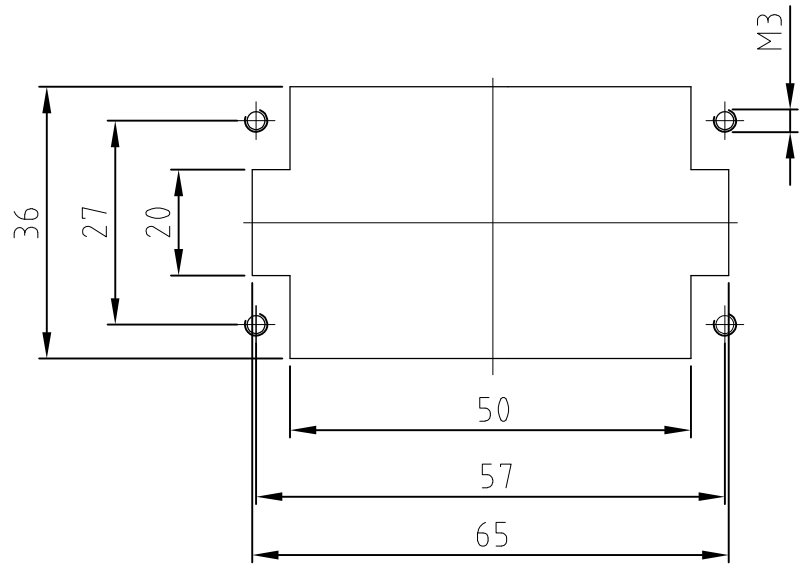
Assembly reference



Kontaktanordnung  
Contact arrangement  
Ansicht Anschlußseite  
view from termination side



Montageausschnitt  
Panel cut-out for contact insert  
bei Verwendung ohne Gehäuse  
when used without housing



Notes,

- 1 Material: insert, PC
- 2 Finish: contact; Ag, Au

Bemerkungen,

- 1 Material: Einsatz: PC
- 2 Oberfläche: Kontakte; Ag, Au

|                  |   |          |                          |   |                       |                 |
|------------------|---|----------|--------------------------|---|-----------------------|-----------------|
| 1                | Pin Insert HN.2D.42 Crimp   | 1        | dark gray                | 1   | -                     |                 |
| 2-3              | DESCRIPTION / BENENNUNG   | MATERIAL | COLOR / FARBE            | ITEM NO. POS.   | REMARKS / BEMERKUNGEN |                 |
| HN.2D.42.Sti.C   | THIS DRAWING IS A CONTROLLED DOCUMENT.  |          | DWN Schneider 10.11.1997 | Tyco Electronics Corporation<br>Harrisburg, Pa 17105-3608 |                       |                 |
|                  | DIMENSIONS: mm  |          | CHK -                    | NAME  |                       |                 |
|                  | TOLERANCES UNLESS OTHERWISE SPECIFIED:<br>GENERAL TOLERANCES<br>ISO 8015<br>ISO 2768 - mH - E<br>DIN 16901 - 14.0 |          | APVD -                   | PRODUCT SPEC  |                       |                 |
|                  | 0 PLC ± -<br>1 PLC ± -<br>2 PLC ± -<br>3 PLC ± -<br>4 PLC ± -<br>ANGLES ± -                                       |          | PRODUCT SPEC -           | APPLICATION SPEC  |                       |                 |
|                  | MATERIAL 1  |          | FINISH 2                 | WEIGHT 53g  | SIZE A3               | CAGE CODE 00779 |
| CUSTOMER DRAWING |   |          | SCALE 1:1                | SHEET 1 OF 1  | REV A4                | RESTRICTED TO - |