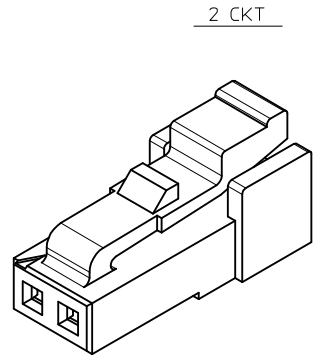
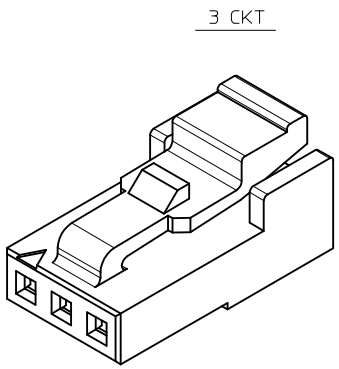
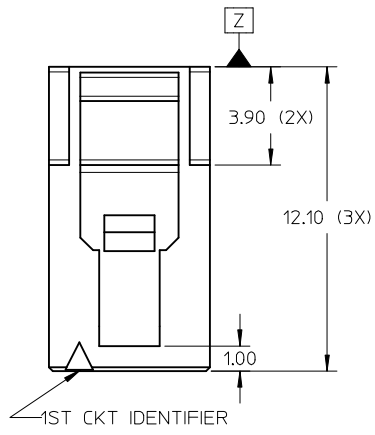
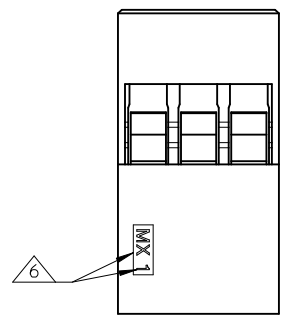
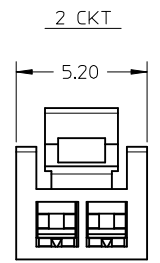
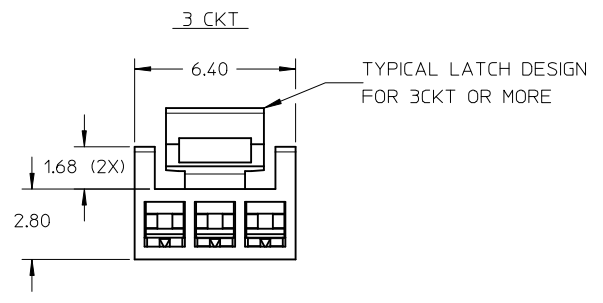
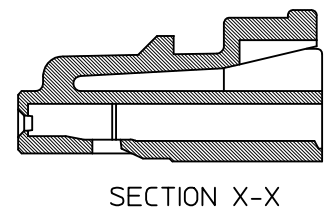
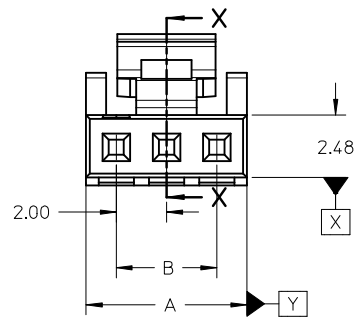


10 9 8 7 6 5 4 3 2 1



MATERIAL NO.	CKT SIZE	DIM A	DIM B
1511000002	2	4.40	2.00
1511000003	3	6.40	4.00
1511000004	4	8.40	6.00
1511000005	5	10.40	8.00
1511000006	6	12.40	10.00
1511000007	7	14.40	12.00
1511000008	8	16.40	14.00
1511000009	9	18.40	16.00
1511000010	10	20.40	18.00



- NOTES:
1. MATERIAL: NON GLASS FILLED THERMOPLASTIC, BLACK, UL94V-0.
 2. PRODUCT SPECIFICATIONS: PS-151062-0001.
 3. PACKAGING: TRAY.
PACKAGING SPECIFICATION: PK-151100-0001.
 4. HOUSING TO BE ASSEMBLED WITH MOLEX FEMALE CRIMP TERMINAL: 50394-****.
 5. HOUSING TO BE MATED WITH MOLEX PCB HEADER AND CRIMP HEADER SERIES: 151062, 151063, 151064, 151065, 151098
 6. MANUFACTURER ID AND CAVITY NO. IS LOCATED APPROXIMATELY AS SHOWN.

REV	DESCRIPTION	QUALITY SYMBOLS	GENERAL TOLERANCES (UNLESS SPECIFIED)		DIMENSION STYLE		SCALE	DESIGN UNITS	THIRD ANGLE PROJECTION
			mm	INCH	MM ONLY	NTS	METRIC		
A	ERROR CORRECTION	$\nabla_{\text{F}}=0$ $\nabla_{\text{E}}=0$ $\nabla_{\text{A}}=0$	4 PLACES	± ---	± ---	DRAWN BY	DATE	SALES DRAWING CRIMP RECEPTACLE HOUSING SINGLE ROW MILLIGRID 	
	EC NO: S2016-0665		3 PLACES	± ---	± ---	FCS00	2015/01/07		
	DRWN:FCS00		2 PLACES	± 0.20	± ---	CHECKED BY	DATE		
	CH'KD:CGOH		1 PLACE	± ---	± ---	FCS00	2015/01/07		
	APPR:KHLIM		0 PLACE	± ---	± ---	APPROVED BY	DATE		
			ANGULAR ± 3 °		KHL IM	2015/07/02	MATERIAL NO.	DOCUMENT NO.	SHEET NO.
			DRAFT WHERE APPLICABLE MUST REMAIN WITHIN DIMENSIONS		SEE TABLE		SD-151100-0001		1 OF 1
			THIS DRAWING CONTAINS INFORMATION THAT IS PROPRIETARY TO MOLEX INCORPORATED AND SHOULD NOT BE USED WITHOUT WRITTEN PERMISSION						

9 8 7 6 5 4 3 2 1

