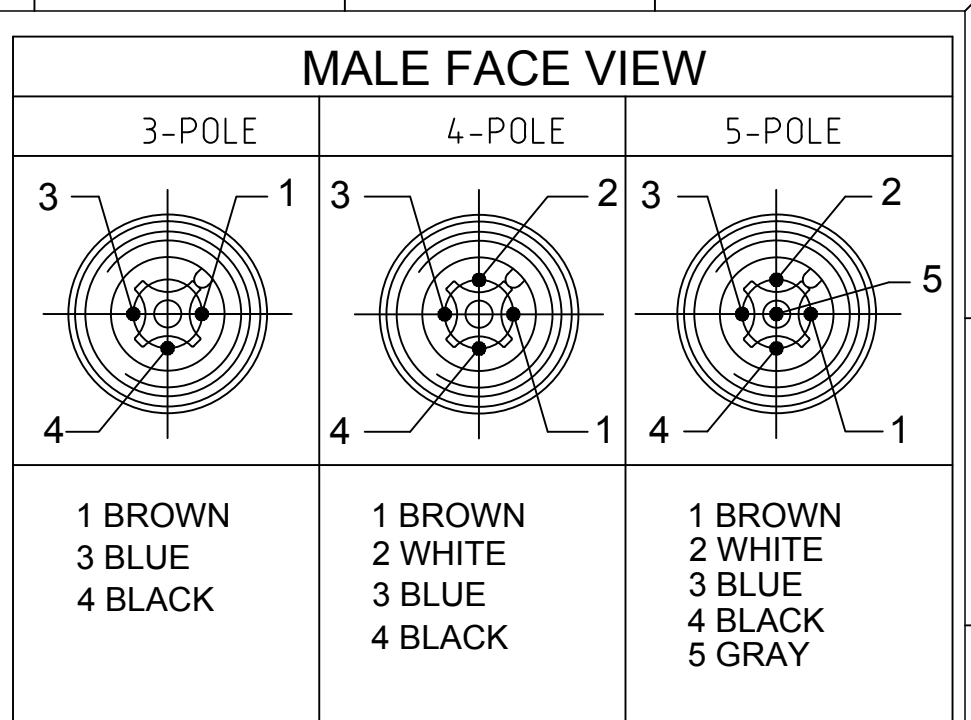


PART NO.	ENGINEERING NO.	FINISHED LENGTH	POLES	CABLE DIA.
1200660232	883032K05M020	2.0M [6'7"]	3	.20/5.1
1200660404	884032K05M040	4.0M [13'1"]	4	.21/5.3
1200662157	885032K05M100	10.0M [32'10"]	5	.23/5.8

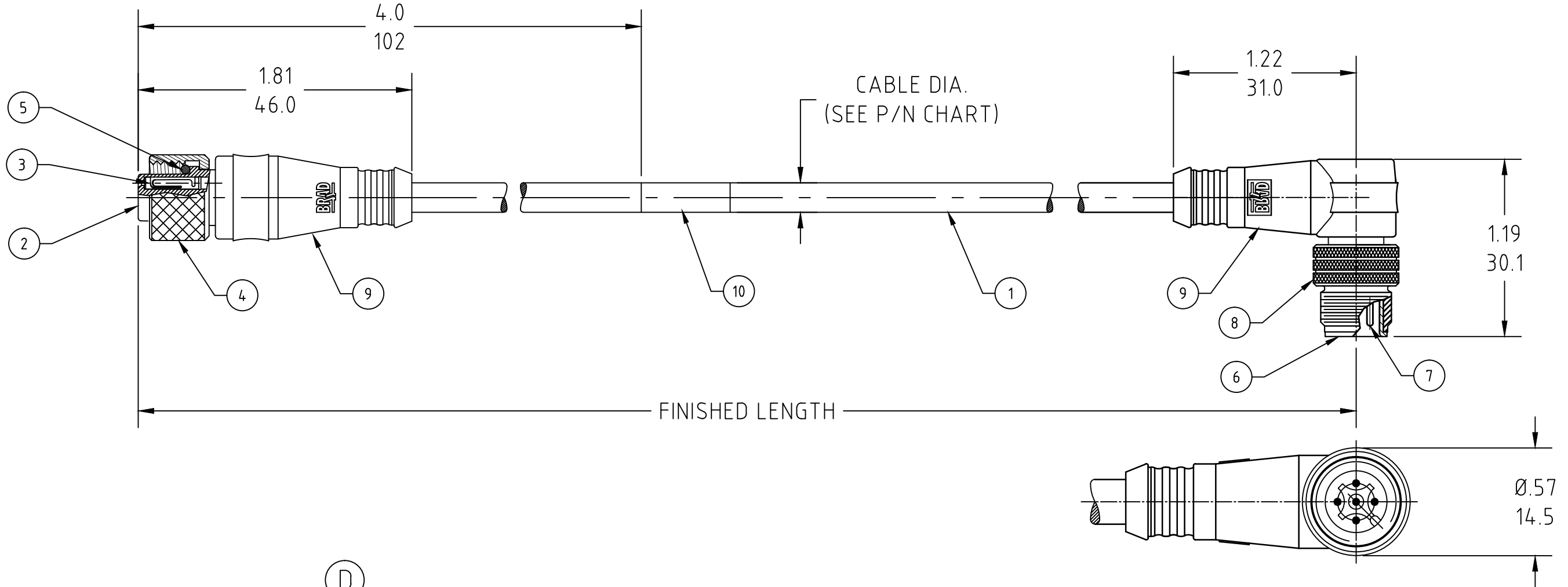


**PART NO. LEGEND**  
**883032K05M020**

POLES: 3, 4 & 5

CABLE TYPE: 22AWG TPE YELLOW

FINISHED LENGTH:  
 M005 = 0.5 Meters  
 M010 = .0 Meter  
 M100 = 10 Meters



- NOTES:**
- MATERIAL: AS NOTED
  - FINISH: AS NOTED
  - ELECTRICAL:  
VOLTAGE: 250V  
CURRENT: 4A
  - TEMP RATING: -25° TO +105°C
  - PROTECTION: IP67 (WHEN MATED)
  - COUPLING THREAD: M12 X 1
  - UL RECOGNIZED FILE: E152210  
CSA CERTIFIED FILE: LR6837
  - ALL DIMS ARE FOR REFERENCE UNLESS NOTED OTHERWISE

#### CABLE FLEX CHARACTERISTICS

TORSIONAL FLEX TEST	10 MILLION CYCLES PER MIL-C-13777G
BEND FLEX TEST	10 MILLION CYCLES PER MIL-C-13777G
WELD SLAG RESISTANCE	WOODHEAD STANDARD S-300

**CABLE LENGTH TOLERANCES**

>.3M [1FT]:	+19mm-0 [+1.75in-0]
.3 - .9M [1 - 3FT]:	+44.5mm-0 [+1.75in-0]
.9 - 1.8M [3 - 6FT]:	+55.6mm-0 [+2.19in-0]
1.8 - 3.7M [6 - 12FT]:	+88.9mm-0 [+3.50in-0]
3.7 - 7.3M [12 - 24FT]:	+165.1mm-0 [+6.50in-0]
7.3-14.6M [24 - 48FT]:	+317.5mm-0 [+12.50in-0]
14.6 - 30.5M [48-100FT]:	+622.3mm-0 [+24.50in-0]
OVER 30M [100FT]:	+2% OF FINISHED LENGTH

ITEM	DESCRIPTION	MATERIAL	FINISH
10	WRAP LABEL	VINYL	BLACK/YELLOW
9	OVERMOLD	TPE	YELLOW
8	COUPLING NUT	BRASS	NICKEL PLATED
7	CONTACT PIN	COPPER ALLOY	GOLD PLATED
6	MALE INSERT	PUR	BLACK
5	O-RING	VITON	RED
4	COUPLING NUT	BRASS	NICKEL PLATED
3	CONTACT SOCKET	COPPER ALLOY	GOLD PLATED
2	FEMALE INSERT	PUR	BLACK
1	CABLE, 22AWG, 300V, 105°	TPE JACKET	YELLOW

UPDATE TO LATEST DOC STD. EC NO.: IPG2019-0231 DRWN: RSTONE 11/26/18 CHKD: M ZIELIN APPR: BWOODMAN2010/02/03	QUALITY SYMBOL ▽=0 ▽C=0	GENERAL TOLERANCES (UNLESS SPECIFIED)		DIMENSION STYLE IN/MM		SCALE ---	DESIGN UNITS INCH	THIRD ANGLE PROJECTION		
										TITLE <b>MICRO-CHANGE CORDSET            3/4/5 P. FE STR/ MA 90            22/3-5 YELLOW TPE CABLE</b>
										<b>MOLEX INCORPORATED</b>
				DRAFT WHERE APPLICABLE MUST REMAIN WITHIN DIMENSIONS		MATERIAL NO. SEE P/N CHART		DOCUMENT NO. SD-120066-025		
				ANGULAR ±---°		APPROVED BY DATE FPACHER 2010/02/03		SHEET NO. 1 OF 1		
				SIZE C		THIS DRAWING CONTAINS INFORMATION THAT IS PROPRIETARY TO MOLEX INCORPORATED AND SHOULD NOT BE USED WITHOUT WRITTEN PERMISSION				