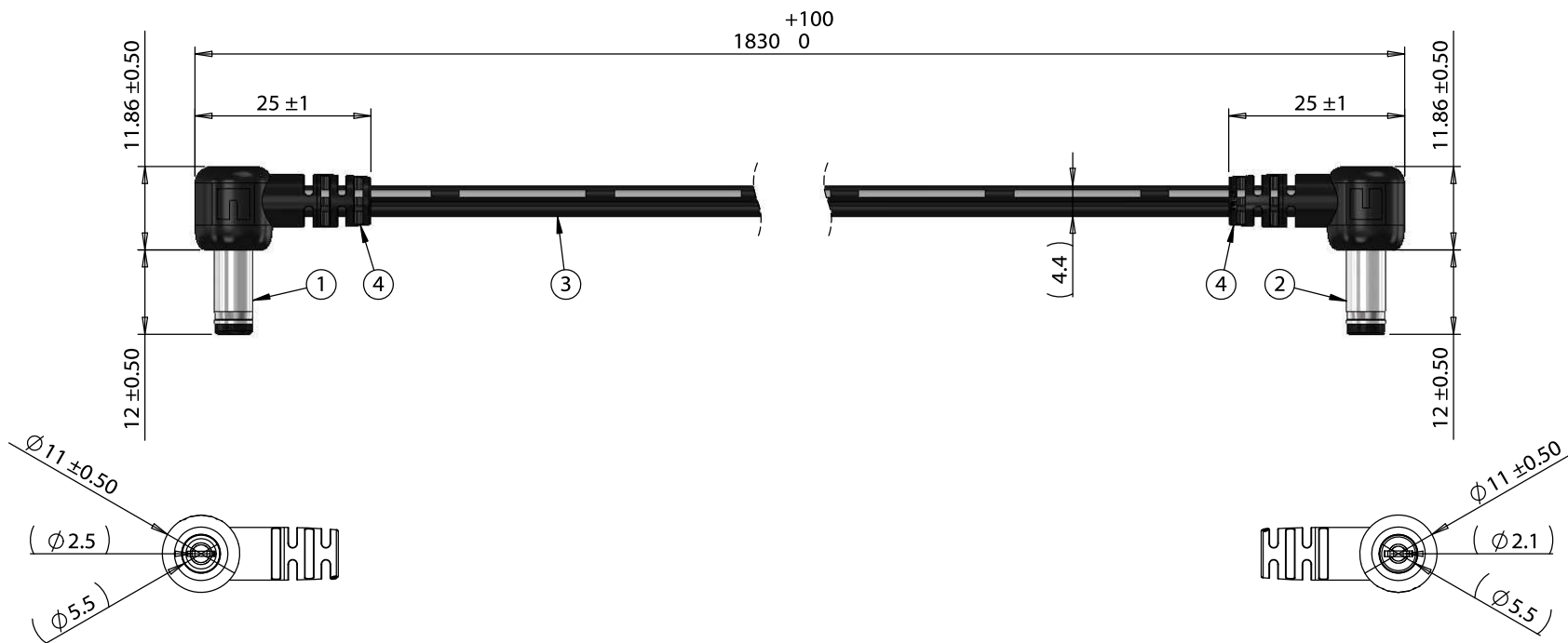


ITEM NO.	PART NUMBER	DESCRIPTION	QTY.	COMPONENT NOTES
1	50-00187	Connector, dc plug, 5.5x2.5xL20.5 mm, molding style, spring contacts	1	
2	50-00186	Connector, dc plug, 5.5x2.1xL20.5 mm, molding style, spring contacts	1	
3	30-00395	Wire, 2C TS, 18 AWG, UL2468, 300V, 80C, 4.4 mm, VW-1, PVC, 87A	1	
4	24-00006	Overmold, PVC	2	black



Wiring Diagram		
50-00187	wire color	50-00186
center	black with stripe	center
sleeve	black	sleeve

Notes:
Functionally equivalent components may be substituted

Revision:	Date:	Description:	Prepared:	Notes:	<h1>TENSILITY</h1> <p>tel 1.541.323.3228 800 877.670.7118 fax 1.541.323.4202 web tensility.com</p>
A	01/18/2018	Initial release	GL <small>Digitally signed by GL Date: 2018.01.18 13:53:30 -08'00'</small>		
			Verified:	Function test: no open, no short circuit, no intermittent	Size:
			AW <small>Digitally signed by AW Date: 2018.02.14 09:28:56 -08'00'</small>	Description:	A
			Dimensions are in millimeters.	Cable, 1830 mm, 5.5x2.5x12 mm 90° 50-00187 dc plug to 5.5x2.1x12 mm 90° 50-00186 dc plug, 18 AWG	Part number:
			Tolerances: X: ± 0.5 mm X.X: ± 0.3 mm X.XX: ± 0.05 mm		10-02576
					Scale: 1:1
					Sheet 1 of 1

5

4

3

2

1