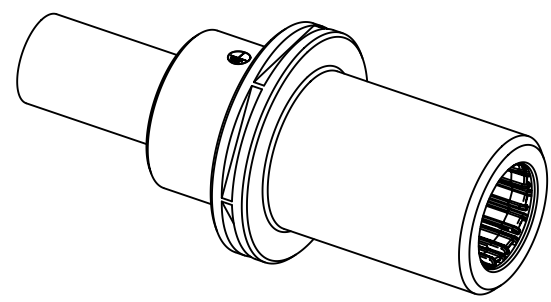


crimp zone acc. to DIN EN 46235; indicator 12
 for stranded fine wire acc. to VDE 0295 class 5 / IEC 60228 class 5
 wire gauge: 35mm²
 stripping length: 26mm



	All rights reserved Department EL PD - DE	All Dimensions in mm Original Size DIN A4		Scale 2:1	Free size tol.	Ref. Sub.
		Created by HOLLERT	Inspected by SUNDERMEIER	Standardisation TIEMANNA	Date 2016-08-15	State Final Release
HARTING Electric GmbH & Co. KG D-32339 Espelkamp		Title Han TC350 PE female contact 35mm ²				Doc-Key / ECM-Nr. 100639133/UGD/000/B 500000107617
		Type TB	Number 09 11 000 6272		Rev. B	Page 1/1