



Pushing Performance

HARTING Product Information

PI-
NPN

Business Unit: Electric
Product range: Han / Han 1A
Author: Maximilian Tischler
Title: Han® 1A Product Change - PINPN

PINPN/20/003/C+N

Date: 2020-10-21



Dear Ladies and Gentlemen,

we want to inform you that a product change concerning the Han® 1A series takes place. This product change mainly affects the Han® 1A contact inserts.

The optimization includes a strengthening of the existing coding as you can see on the pictures below.

The product change means that the previous versions are not compatible with the new ones. The new Han® 1A contact will receive new part numbers.

All features and technical characteristics of the Han® 1A contact inserts remain unaffected by the product modification.



Pushing Performance

HARTING Product Information

PI-
NPN

Product changes in detail:

Previous Han® 1A contact insert:



New Han® 1A contact insert (example: 09 10 012 3006/3106):



The marked product modifications (picture 2) shown above lead to an improved polarization of the contact inserts in order to prevent a mismatching by 180 degrees. In addition, an arrow is implemented as a visual indicator on each contact insert (picture 3).

Concerned Han® 1A contact inserts:

The modification shown above will be implemented on all Han® 1A contact inserts:

Part Description:	Previous Part Number:	Phase out:	New Part Number:	Phase in:
Han 1A-3+PE-C-m	09 10 003 3205	from now on	09 10 003 3206	CW 47/20
Han 1A-3+PE-C-f	09 10 003 3305		09 10 003 3306	
Han 1A-3+PE-C-m latch	09 10 003 3200		09 10 003 3201	
Han 1A-3+PE-C-f latch	09 10 003 3300		09 10 003 3301	
Han 1A-3+PE-S-m	09 10 003 2605	from now on	09 10 003 2606	CW 48/20
Han 1A-3+PE-S-f	09 10 003 2705		09 10 003 2706	
Han 1A-3+PE S-m latch	09 10 003 2600		09 10 003 2601	
Han 1A-3+PE-S-f latch	09 10 003 2700		09 10 003 2701	
Han 1A-2+PE-S-m	09 10 002 2605		09 10 002 2606	
Han 1A-2+PE-S-f	09 10 002 2705		09 10 002 2706	
Han 1A-2+PE-S-m latch	09 10 002 2600		09 10 002 2601	
Han 1A-2+PE-S-f latch	09 10 002 2700		09 10 002 2701	
Han 1A-12-C-m	09 10 012 3005	CW 50/20	09 10 012 3006	CW 50/20
Han 1A-12-C-f	09 10 012 3105		09 10 012 3106	
Han 1A-12-C-m latch	09 10 012 3000		09 10 012 3001	
Han 1A-12-C-f latch	09 10 012 3100		09 10 012 3101	
Han 1A-5+PE-C-m	09 10 005 3005	from now on	09 10 005 3006	CW 50/20
Han 1A-5+PE-C-f	09 10 005 3105		09 10 005 3106	
Han 1A-5+PE-C-m latch	09 10 005 3000		09 10 005 3001	
Han 1A-5+PE-C-f latch	09 10 005 3100		09 10 005 3101	
Han 1A-M12-m D-coded, latch	09 10 004 3000	CW 03/21	09 10 004 3001	CW 03/21
Han 1A-M12-f D-coded, latch	09 10 004 3100		09 10 004 3101	
Han 1A-M12-m X-coded, latch	09 10 008 3000		09 10 008 3001	
Han 1A-M12-f X-coded, latch	09 10 008 3100		09 10 008 3101	
Han 1A-M12-m D-coded	09 10 004 3005		09 10 004 3006	
Han 1A-M12-f D-coded	09 10 004 3105		09 10 004 3106	
Han 1A-M12-m X-coded	09 10 008 3005		09 10 008 3006	
Han 1A-M12-f X-coded	09 10 008 3105		09 10 008 3106	
Han 1A-3+PE-C-m shielded latch	09 10 003 3000	from now on	09 10 003 3001	CW 04/21
Han 1A-3+PE-C-f shielded latch	09 10 003 3100		09 10 003 3101	
Han 1A-3+PE-C-m shielded	09 10 003 3005		09 10 003 3006	
Han 1A-3+PE-C-f shielded	09 10 003 3105		09 10 003 3106	



Pushing Performance

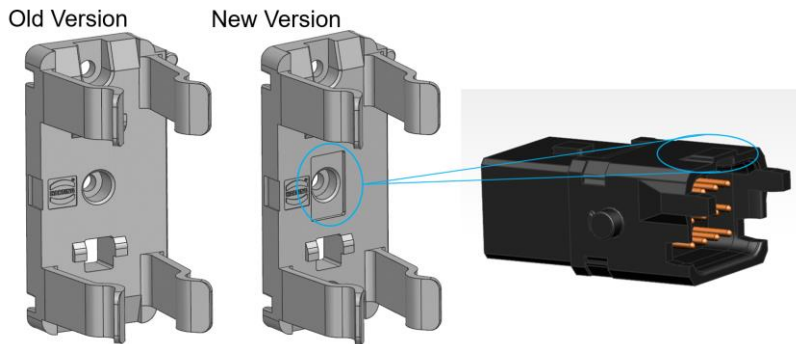
HARTING Product Information

PI-
NPN

Product change of Han® 1A fixing plate:

All housing elements are not affected by the product change of the Han® 1A contact inserts.

The only accessory element that is affected by the product change is the Han 1A fixing plate (09 10 000 9907). Due to an additional contour on the contact insert (blue circle), a slight modification of the fixing plate is necessary to ensure compatibility. The new fixing plate is compatible with the previous and the new Han® 1A contact inserts.



Part Description:	Previous Part Number:	Phase out:	New Part Number:	Phase in:
Han 1A-fixing plate	09 10 000 9907	CW 47/20	09 10 000 9908	CW 47/20

All available marketing content and documents (eCatalogue, Data Sheets, Selection Guide, Assembly instructions, Configurator etc.) will be updated within the next days and weeks according to the described product changes.

Best regards,

Maximilian Tischler
 Product Manager
 E-Mail: Maximilian.Tischler@HARTING.com
 Phone: +49 (5772)47-7244
<http://www.HARTING.com>