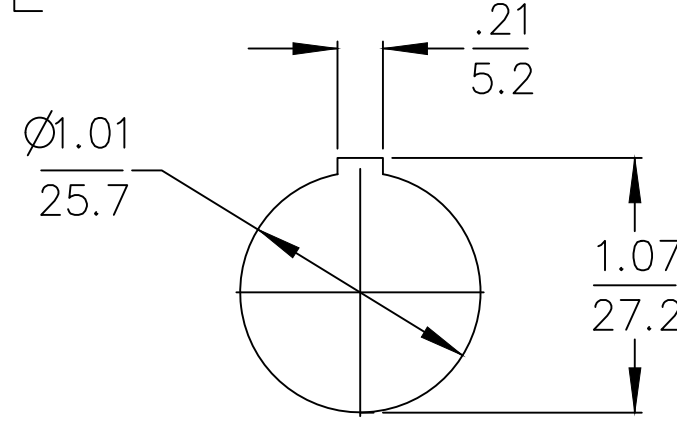
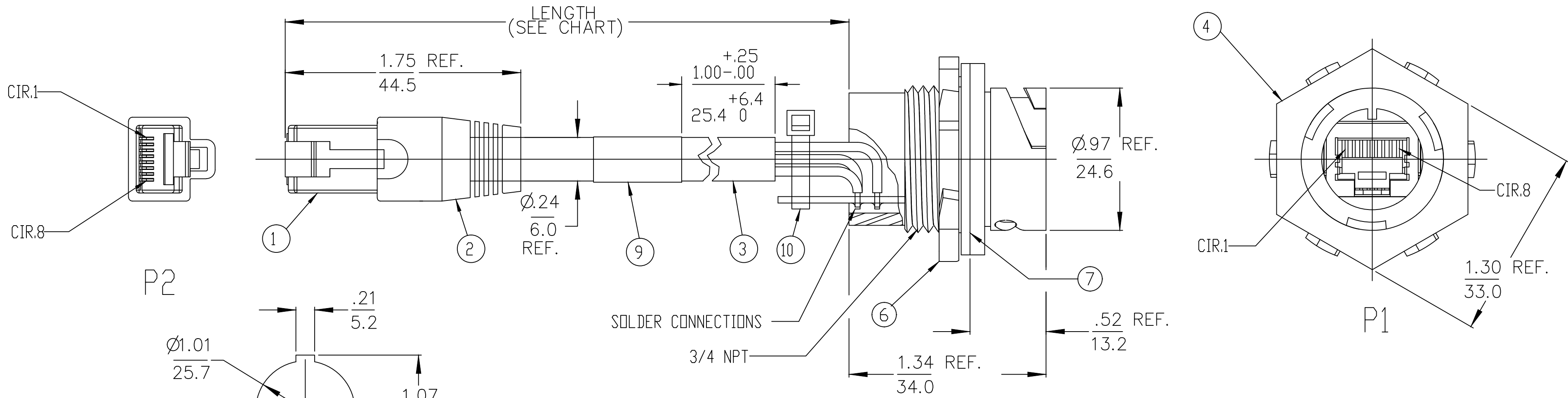
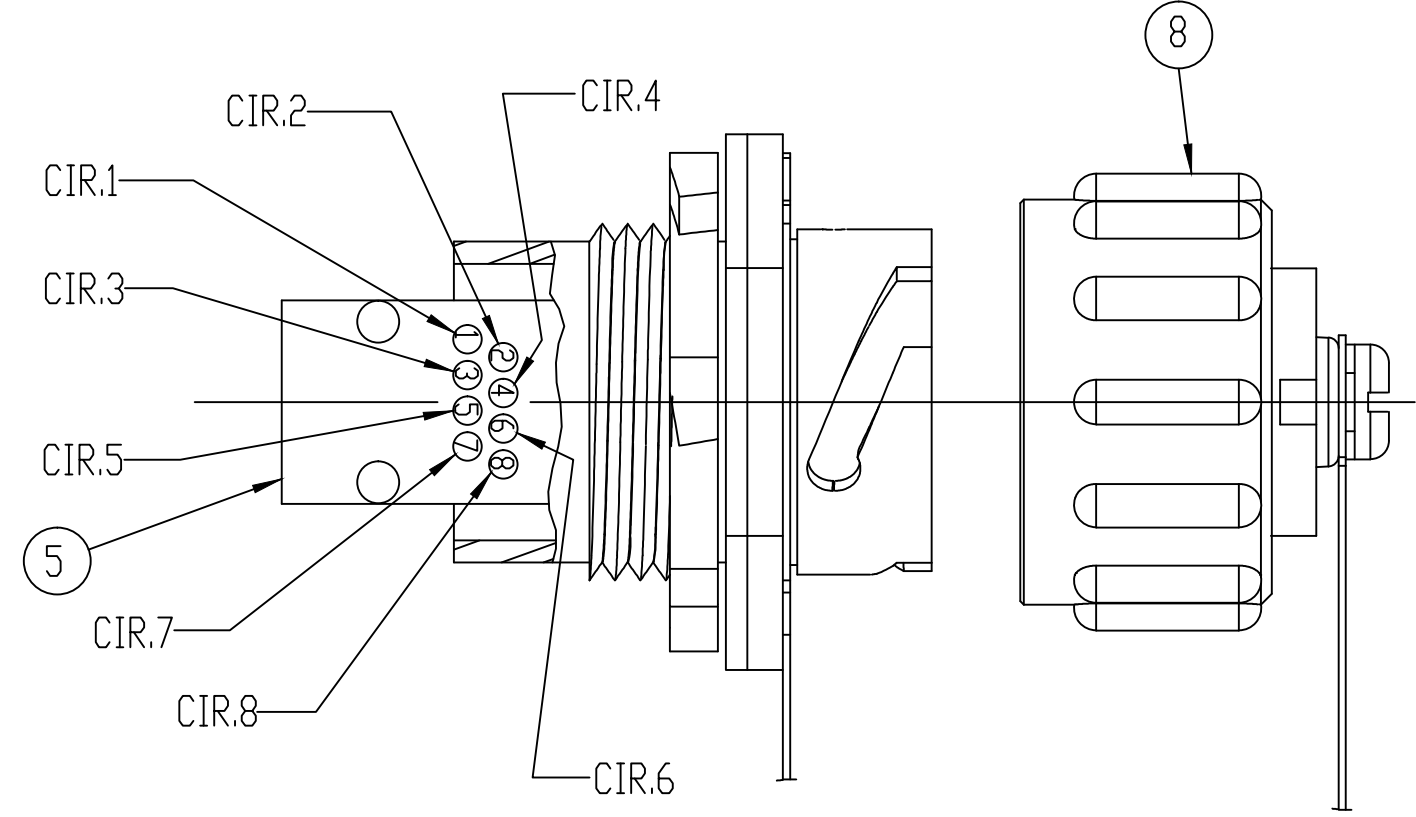
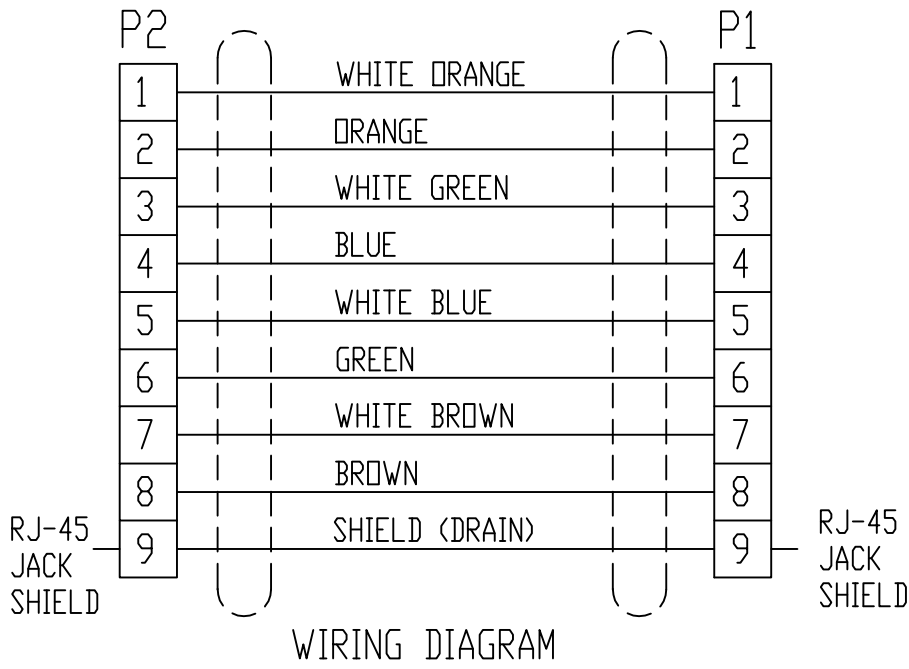


PART NUMBER	CABLE LENGTH
847000005	12.00 +.75-0 [ 305mm +19mm-0 ]
847000006	4.00" +.75-0 [ 102mm +19mm-0 ]



- NOTES:
1. MATERIAL: AS NOTED
  2. FINISH: AS NOTED
  3. ELECTRICAL:  
VOLTAGE: 125V  
CURRENT: 1.5A
  4. PRODUCT SPEC: PS-84700-001
  5. SHIELDS ARE TERMINATED AS SHOWN IN WIRING DIAGRAM
  6. CABLE STD: UL444/CSA-22.2 NO.214
  7. PCB ASSEMBLY PUSH-OUT: 20 LBS. MIN.
  8. PARTS ARE PACKED IN CLEAR POLY BAG WITH BARCODE LABEL ATTACHED
  9. ASSEMBLY IS RoHS COMPIANT



ITEM	QTY.	DESCRIPTION	MATERIAL	FINISH
10	1	CABLE TIE	NYLON	WHITE
9	1	LABEL	VINYL	YELLOW/BLACK
8	1	DUST COVER & TETHER	POLYESTER	BLACK
7	1	PANEL GASKET	NEOPRENE	BLACK
6	1	PANEL LOCKNUT	STEEL	ZINC PLATED
5	1	PCB ASSEMBLY	PURCHASED ASSY.	VENDOR SPEC.
4	1	RECEPTACLE MOLDED	POLYESTER	BLACK
3	1	CABLE, CAT 5E, 4PR, 24AWG, TYPE CM	PVC JACKET	GRAY
2	1	SLIDING SLEEVE	POLYOLEFIN	BLACK
1	1	RJ-45 PLUG SHIELDED	PURCHASED ASSY.	VENDOR SPEC.

QUALITY SYMBOL  
 ▽=0  
 ▽C=0

REDRAWN WAS CO-CREATE  
 EC NO.: IFC2019-0360  
 DRWN: RSTONE 2019/01/28  
 CHKD: M ZIELIN  
 APPR: BWOODMAN2019/02/05

GENERAL TOLERANCES (UNLESS SPECIFIED)

	mm	INCH
4 PLACES	±---	±---
3 PLACES	±---	±---
2 PLACES	±---	±---
1 PLACE	±---	±---

ANGULAR ±---°

DRAFT WHERE APPLICABLE MUST REMAIN WITHIN DIMENSIONS

SIZE C

REF. THIS DRAWING SUPERSEDES CO-CREATE DOC SD-84700-007 REV-E

THIRD ANGLE PROJECTION

SCALE --- METRIC

DESIGN UNITS METRIC

DBL. ENDED FEMALE RJ-45 BULKHEAD TO RJ-45 PLUG 4PR CAT 5E CABLE

MOLEX INCORPORATED

SD-84700-004

SHEET NO. 1 OF 1

THIS DRAWING CONTAINS INFORMATION THAT IS PROPRIETARY TO MOLEX INCORPORATED AND SHOULD NOT BE USED WITHOUT WRITTEN PERMISSION