

MATERIALS AND FINISHES

FRONT BODY
BRASS
PLATED: GOLD(4 μm)

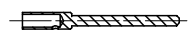
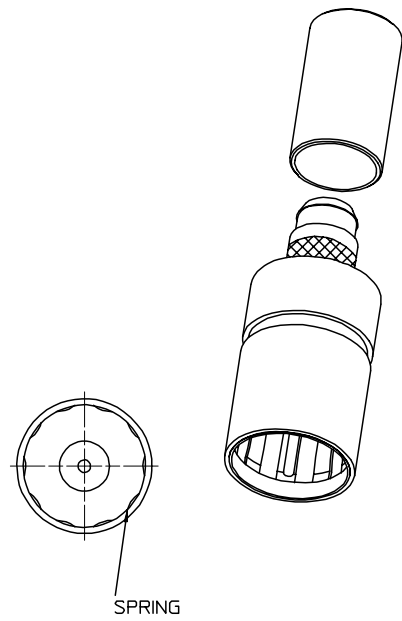
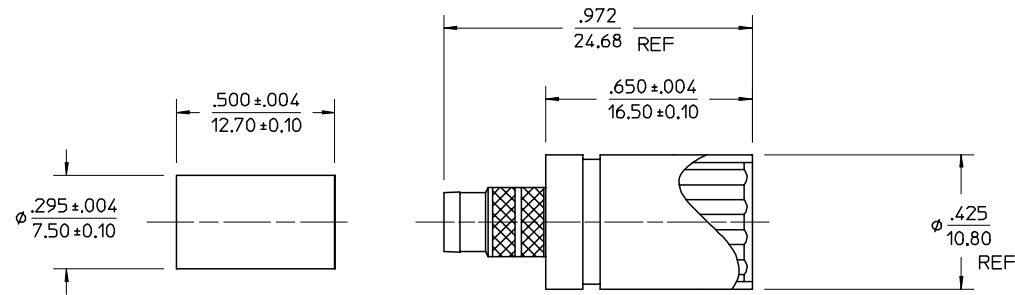
REAR BODY
BRASS
PLATED: NICKEL(70 μm)

CENTER CONTACT
BRASS
PLATED: GOLD(4 μm)

SPRING
PHOSPHOR BRONZE
PLATED: GOLD(4 μm)

CRIMP TUBE
BRASS
PLATED: NICKEL(70 μm)

INSULATOR:
TEFLON



PART # 73412-0260

CHG: NEW RELEASE EC NO. PDR04-071 DRWN: JOHN JAN/16/04 CHK: KENNY JAN/16/04 APPR: MISEN JAN/16/04	DESCRIPTION UNLESS OTHERWISE SPECIFIED DIMS ARE INCHES AND ANGLES ARE DEGREES. 1. ✓ 63 ALL OVER. 2. NO CHATTER OR NON-UNIFORM SURFACE FINISH ALLOWED. 3. PARTS TO BE FREE OF BURRS & SHARP EDGES .005 MAX BREAK. 4. EXTERNAL THREADS TO BE ROLLED OR SINGLE POINT. 5. DIAMETERS TO BE CONCENTRIC WITHIN .003 TIR.	QUALITY SYMBOLS MAJOR CRITICAL	GENERAL TOLERANCES: (UNLESS SPECIFIED)		SCALE	DESIGN UNITS <input checked="" type="checkbox"/> mm <input type="checkbox"/> INCH	THIRD ANGLE PROJECTION	DIMENSIONS: <input type="checkbox"/> mm <input type="checkbox"/> INCH <input checked="" type="checkbox"/> mm <input type="checkbox"/> INCH ONLY		1 SHT	A REV			
			4 PLACES * — * —	mm INCH	DRAWN BY & DATE JOHN JAN/28/04	TITLE: 75 OHM F TYPE PUSH ON S/T CONNECTOR CRIMP RG-59		MOLEX INCORPORATED - TAIWAN (MXT)		MATERIAL NO. SEE NOTE DRAWING NO. SD-73412-026 SHEET NO. 1 of 1		THIS DRAWING CONTAINS INFORMATION THAT IS PROPRIETARY TO MOLEX INCORPORATED AND SHOULD NOT BE USED WITHOUT WRITTEN PERMISSION.		SIZE B
			3 PLACES * — * —	mm INCH	CHECKED BY & DATE KENNY JAN/28/04									
			2 PLACES * .25 * —	mm INCH	APPROVED BY & DATE MISEN JAN/28/04	ANGULAR: ±2°		CAD FILENAME	MISEN JAN/28/04		MISEN JAN/28/04		MISEN JAN/28/04	
1 PLACE * .25 * —	mm INCH	DRAFT WHERE APPLICABLE MUST REMAIN WITHIN DIMENSIONS	DRAFT WHERE APPLICABLE MUST REMAIN WITHIN DIMENSIONS		DRAFT WHERE APPLICABLE MUST REMAIN WITHIN DIMENSIONS		DRAFT WHERE APPLICABLE MUST REMAIN WITHIN DIMENSIONS		DRAFT WHERE APPLICABLE MUST REMAIN WITHIN DIMENSIONS		DRAFT WHERE APPLICABLE MUST REMAIN WITHIN DIMENSIONS			