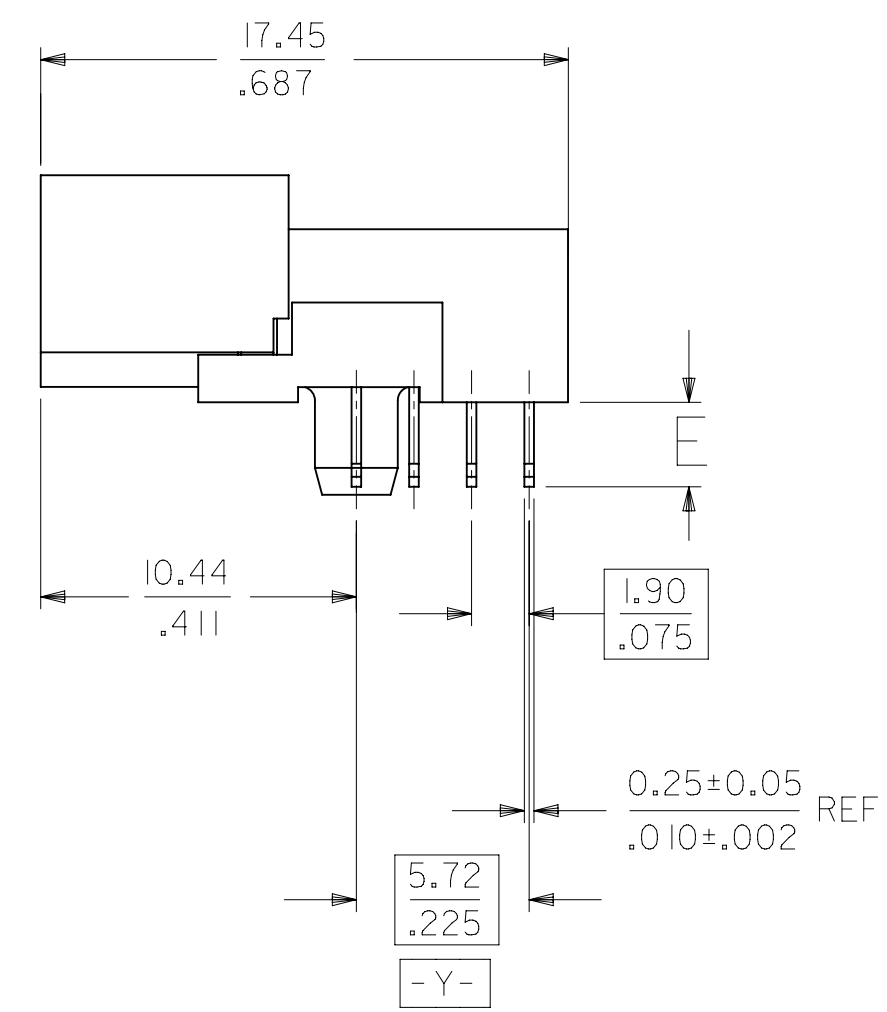
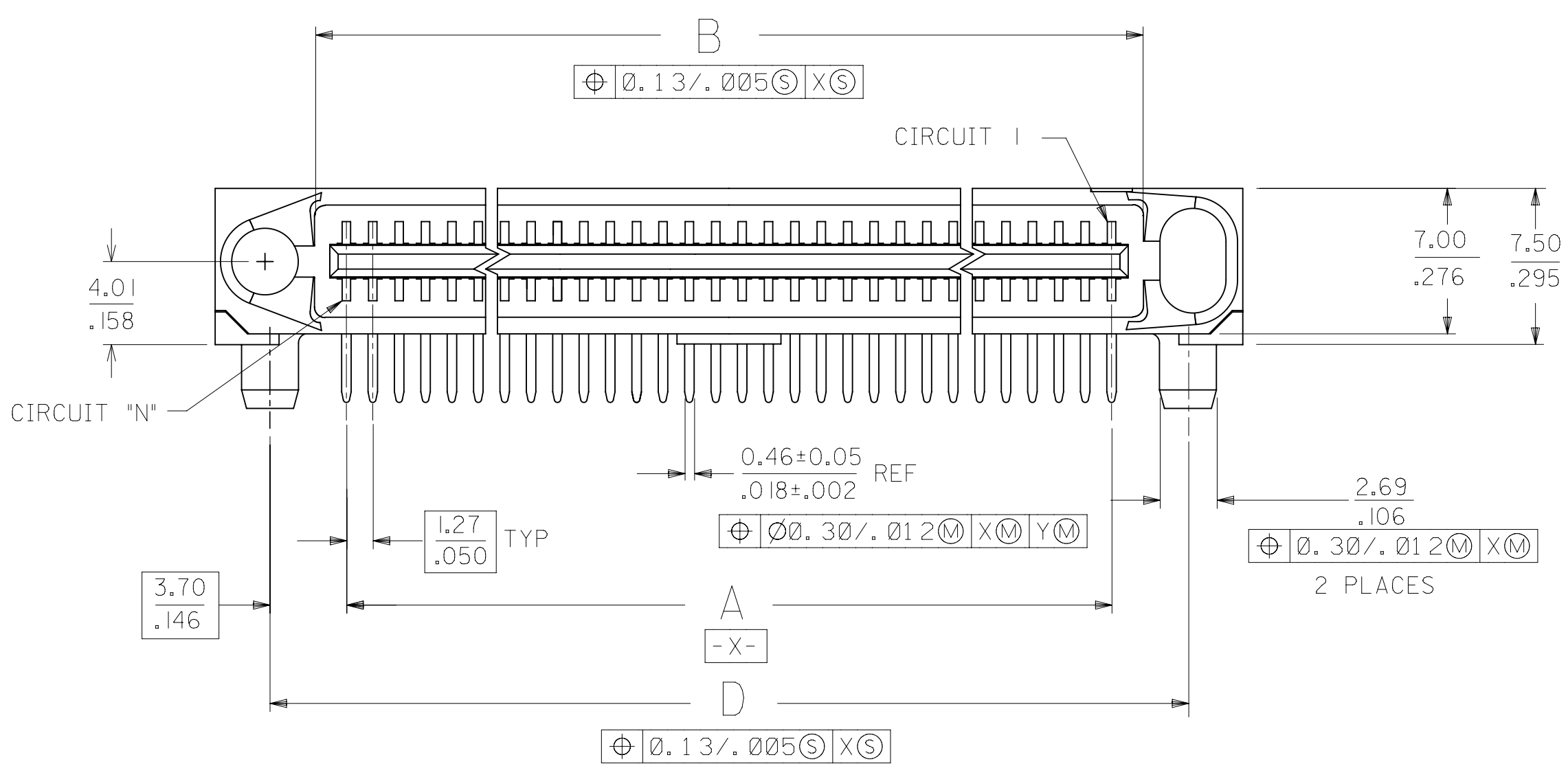
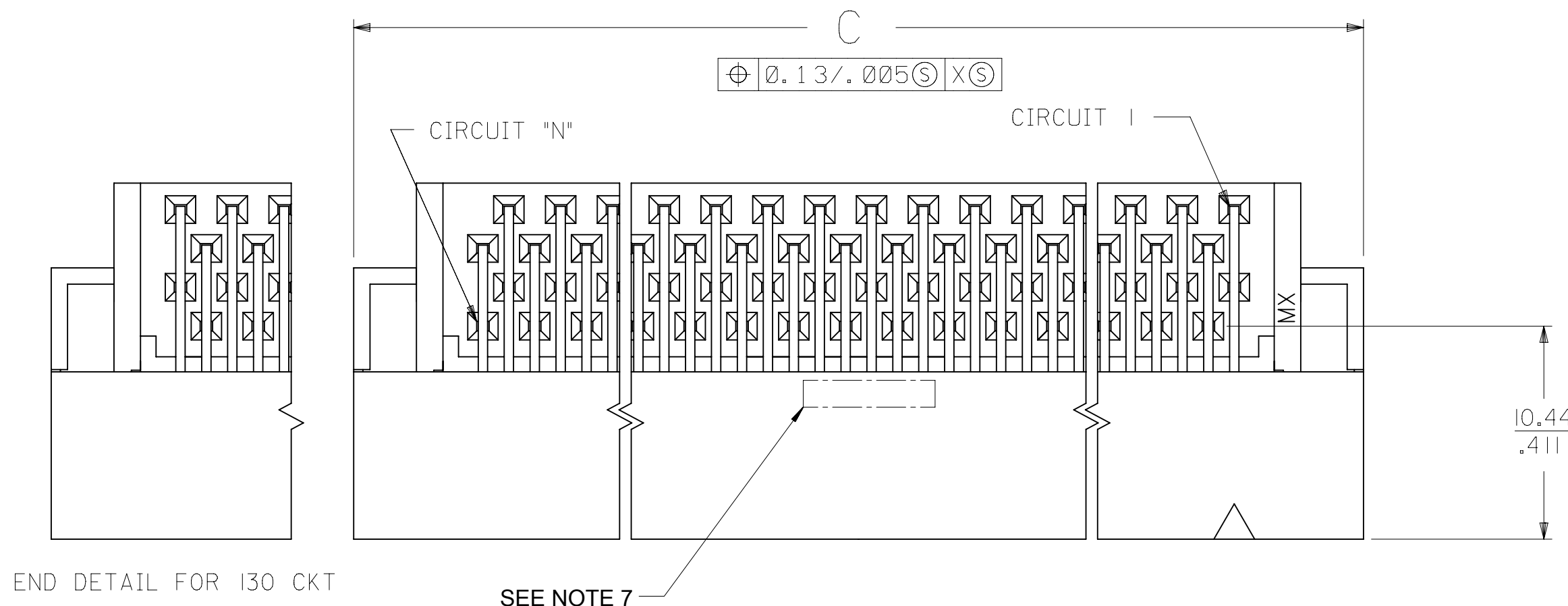
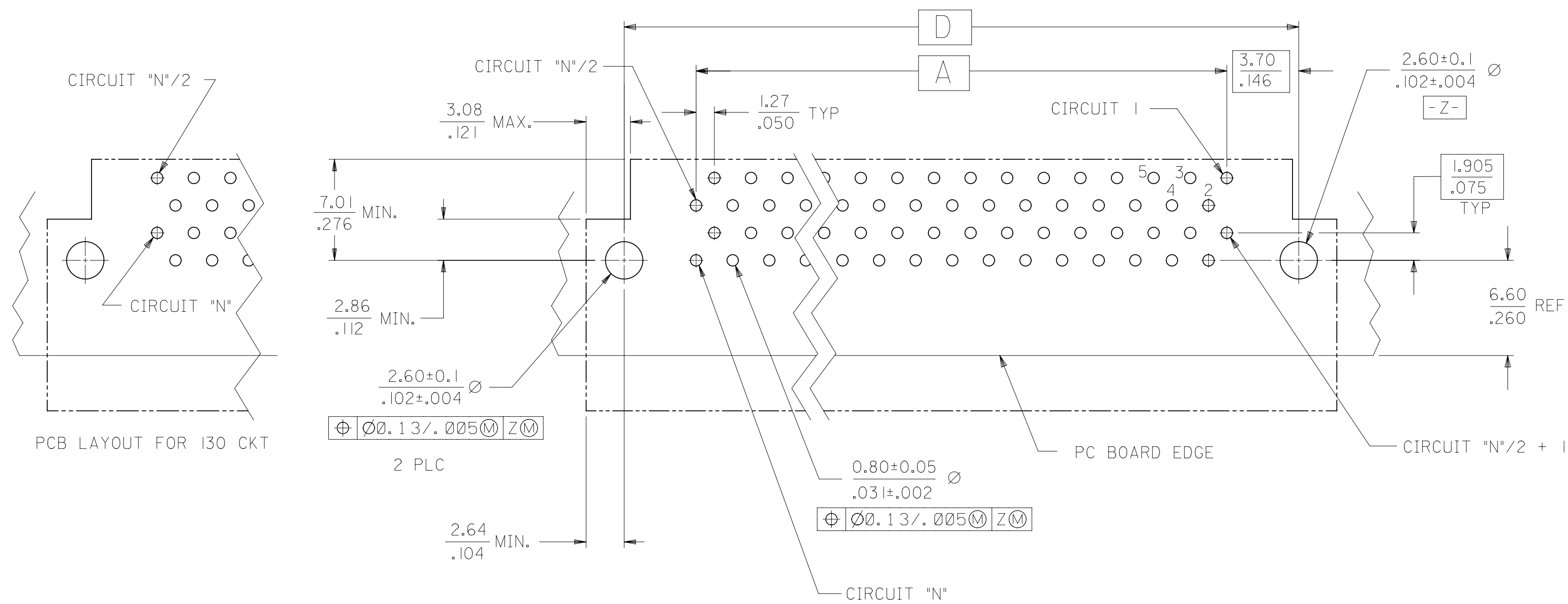


NOTES:

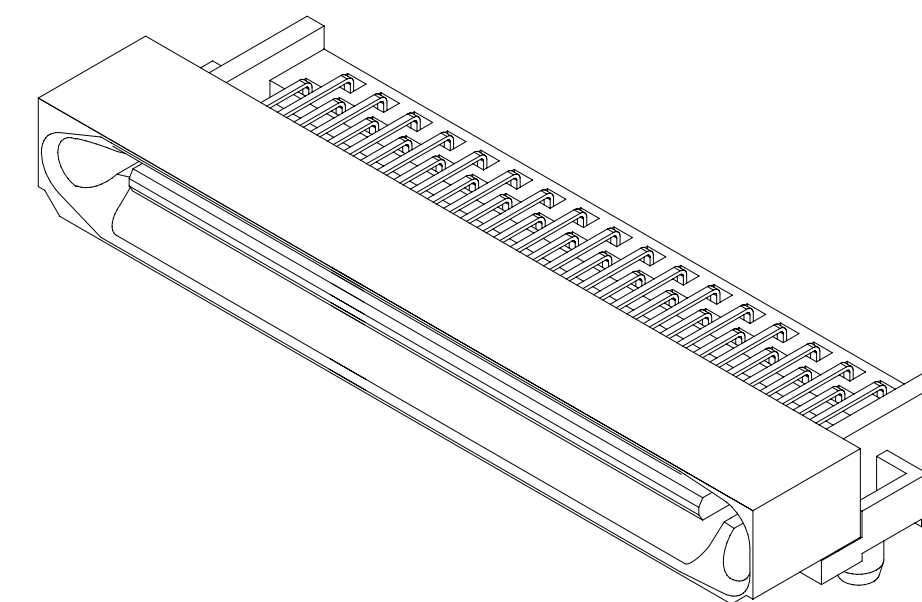
1. MATERIAL:  
HOUSING: LIQUID CRYSTAL POLYMER (LCP), GLASS-FILLED, UL94V-0,  
COLOR: BLACK  
TERMINALS: BRASS
2. FINISH:  
TERMINAL: 0.76 MICROMETERS/30 MICROINCHES MINIMUM SELECTIVE GOLD  
IN CONTACT AREA; 1.27 MICROMETERS/50 MICROINCHES MINIMUM  
SELECTIVE TIN IN THE PC TAIL AREA; NICKEL UNDERPLATE OVERALL.
3. CONFORMS TO PRODUCT SPEC: PS-71660
4. PRODUCT PACKAGED PER PK-70873-084\*
5. ASSEMBLY MATES WITH MOLEX P/N SDA-71660-7\*\*\*
6. RECOMMENDED PC BOARD THICKNESS IS 1.6 MM/.062 IN
7. FOUR DIGIT DATE CODE (WK.YR.) EXAMPLE 26 96 LOCATED IN AREA SHOWN



THIS DRAWING CONTAINS INFORMATION THAT IS PROPRIETARY TO MOLEX ELECTRONIC TECHNOLOGIES, LLC AND SHOULD NOT BE USED WITHOUT WRITTEN PERMISSION									
DIMENSION UNITS <b>MM/IN</b>		SCALE <b>4:1</b>		CURRENT REV DESC: OBSOLETE PART NUMBER					
GENERAL TOLERANCES (UNLESS SPECIFIED)				<b>molex</b> SALES ASSMBLY EBB1 50D RIGHT ANGLE BLIND MATE PLUG PRODUCT CUSTOMER DRAWING EC NO: 644856 DRWN: RPRABHUM 2020/07/15 CHK'D: GGA 2020/10/07 APPR: GGA 2020/10/07 INITIAL REVISION: DRWN: RAN 1995/04/26 APPR: CAB 1995/04/26 THIRD ANGLE PROJECTION DRAWING SERIES <b>C-SIZE 71661</b>					
4 PLACES ±		±							
3 PLACES ±		± 0.01							
2 PLACES ±		0.25 ±							
1 PLACE ±		±							
0 PLACES ±		±		DOCUMENT NUMBER <b>SDA-71661-25XX</b>		DOC TYPE <b>PSD</b>		DOC PART REVISION <b>001 N</b>	
ANGULAR TOL ± 0.5 °		± 0.5 °		MATERIAL NUMBER SEE TABLE		CUSTOMER GENERAL MARKET		SHEET NUMBER 1 OF 2	
DRAFT WHERE APPLICABLE MUST REMAIN WITHIN DIMENSIONS									



RECOMMENDED PC BOARD LAYOUT  
 COMPONENT SIDE  
 SEE NOTE 6



68 CIRCUIT ASSEMBLY SHOWN  
 SCALE 2:1

1.941 (49.31)	2.149 (54.58)	1.770 (44.96)	1.650 (41.91)	.110 (2.79)	68	71661-2568
1.241 (31.53)	1.449 (36.80)	1.070 (27.18)	.950 (24.13)	.110 (2.79)	40	71661-2540
D	C	B	A	E	CKT ("N")	ITEM NUMBER

THIS DRAWING CONTAINS INFORMATION THAT IS PROPRIETARY TO MOLEX ELECTRONIC TECHNOLOGIES, LLC AND SHOULD NOT BE USED WITHOUT WRITTEN PERMISSION

DIMENSION UNITS <b>MM/IN</b>	SCALE <b>4:1</b>	CURRENT REV DESC: OBSOLETE PART NUMBER					
GENERAL TOLERANCES (UNLESS SPECIFIED)		EC NO: 644856					SALES ASSMBLY EBBI 50D RIGHT ANGLE BLIND MATE PLUG
4 PLACES ±	±	DRWN: RPRABHUM 2020/07/15		PRODUCT CUSTOMER DRAWING			
3 PLACES ±	± 0.01	CHK'D: GGA 2020/10/07		DOCUMENT NUMBER			
2 PLACES ±	0.25 ±	APPR: GGA 2020/10/07		SDA-71661-25XX			
1 PLACE ±	±	INITIAL REVISION:		DOC TYPE   DOC PART   REVISION			
0 PLACES ±	±	DRWN: RAN 1995/04/26		PSD 001 N			
ANGULAR TOL ±	0.5 °	APPR: CAB 1995/04/26		MATERIAL NUMBER   CUSTOMER   SHEET NUMBER			
DRAFT WHERE APPLICABLE MUST REMAIN WITHIN DIMENSIONS		THIRD ANGLE PROJECTION	DRAWING	SERIES	SEE TABLE	GENERAL MARKET	2 OF 2