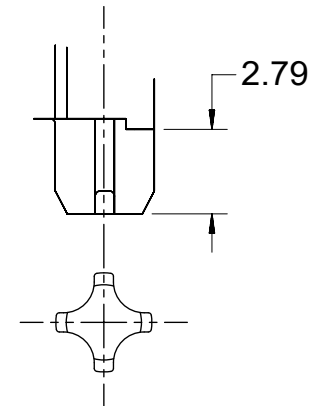


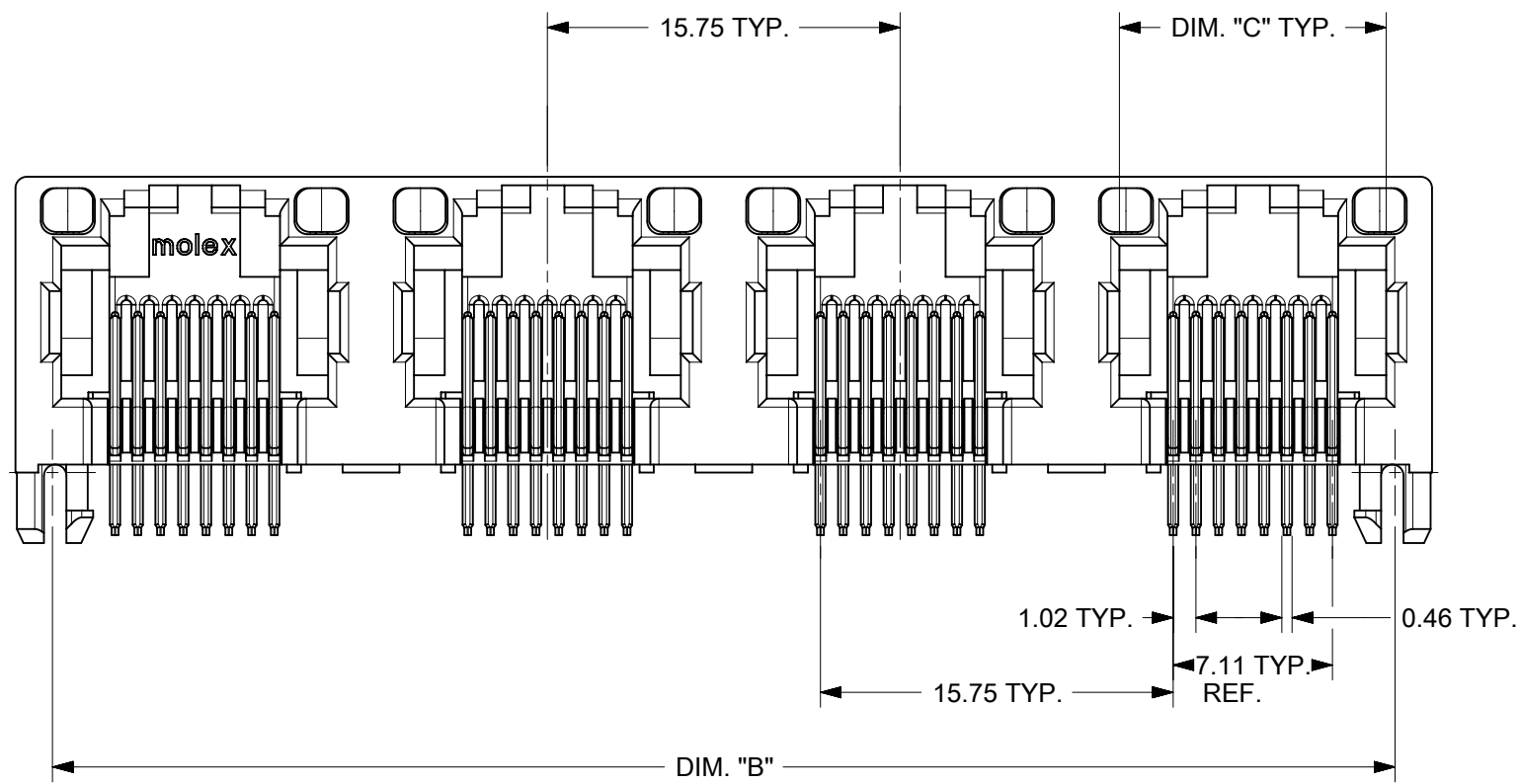
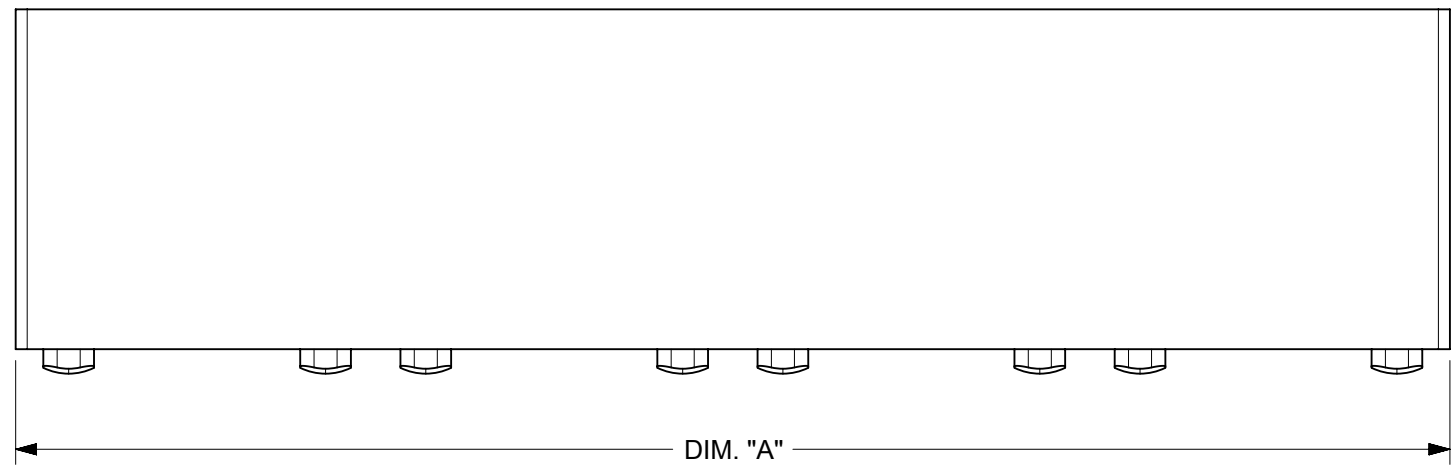
SNAP-FIT PEG OPTION

SCALE: NTS
SEE NOTE 8

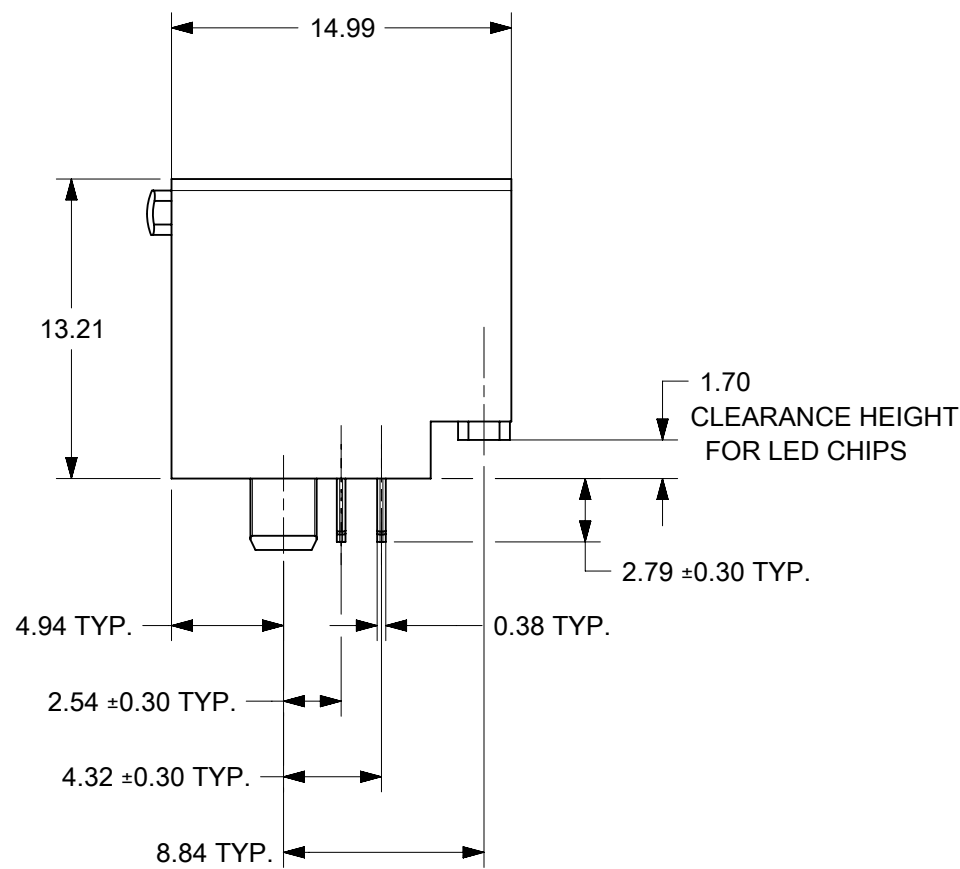


PRESS-FIT PEG OPTION

SCALE: NTS
SEE NOTE 8



**UNSHIELDED
WITH LIGHT PIPES**



8 CIRCUIT HOUSING(S)

X = NOT TOOLED	ASSEMBLY MAT'L NUM	NUM OF CIRCUITS	NUM OF PORTS	PEG STYLE	DIM "A"	DIM "B"	DIM "C"
	44248-0001	8	2	SNAP-FIT	31.75	28.45	11.92
X	44248-0002	8	4	SNAP-FIT	63.25	59.94	11.92
X	44248-0005	8	2	PRESS-FIT	31.75	28.45	11.92
X	44248-0006	8	4	PRESS-FIT	63.25	59.94	11.92

6 CIRCUIT HOUSING(S)

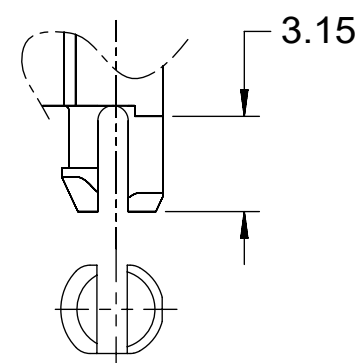
X = NOT TOOLED	ASSEMBLY MAT'L NUM	NUM OF CIRCUITS	NUM OF PORTS	PEG STYLE	DIM "A"	DIM "B"	DIM "C"
X	44248-0009	6	2	SNAP-FIT	31.75	28.45	9.88
X	44248-0010	4	2	SNAP-FIT	31.75	28.45	9.88
X	44248-0011	6	4	SNAP-FIT	63.25	59.94	9.88
X	44248-0012	4	4	SNAP-FIT	63.25	59.94	9.88
X	44248-0017	6	2	PRESS-FIT	31.75	28.45	9.88
X	44248-0018	4	2	PRESS-FIT	31.75	28.45	9.88
X	44248-0019	6	4	PRESS-FIT	63.25	59.94	9.88
X	44248-0020	4	4	PRESS-FIT	63.25	59.94	9.88

NOTES:

- MATERIAL:
HOUSING: POLYESTER(PBT), GLASS FILLED, UL94V-0, COLOR: BLACK
LIGHT PIPES: POLYCARBONATE, UL-94V2, COLOR: CLEAR
TERMINALS: PHOSPHOR BRONZE
- FINISH:
TERMINALS:
SELECT GOLD IN CONTACT AREA: 1.27 MICROMETERS MIN.,
SELECT TIN IN PC TAIL AREA: 2.54 MICROMETERS MIN.,
WITH OVERALL NICKEL UNDERPLATE: 1.27 MICROMETERS MIN.
- PRODUCT SPECIFICATION AND PROCESSING PARAMETERS: PS-43860-003.
- PACKAGING SPECIFICATION:
CONNECTOR ASSEMBLIES IN THERMOFORMED TRAYS PER MOLEX PACKAGING SPECIFICATION PK-44248-004.
- APPLICATION SPECIFICATION: AS-43860-001
- ALL UNTOLERANCED DIMENSIONS ARE SHOWN FOR REFERENCE ONLY.
- CONFORMS TO FCC REGULATION PART 68.5 FOR MODULAR JACKS.
- MODJACKS AVAILABLE WITH EITHER SNAP-FIT OR PRESS-FIT PEGS.
THIS DRAWING SHOWS SNAP-FIT PEGS.
- PCB LAYOUT AND PANEL CUT-OUT SHOWN ON SHEETS (5) AND (6).
- THIS PART CONFORMS TO CLASS B REQUIREMENTS OF COSMETIC SPECIFICATION PS-45499-002.

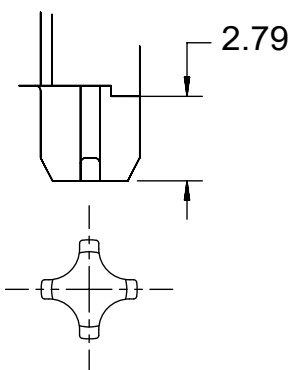
FUNCTIONAL SYMBOLS	THIS DRAWING CONTAINS INFORMATION THAT IS PROPRIETARY TO MOLEX ELECTRONIC TECHNOLOGIES, LLC AND SHOULD NOT BE USED WITHOUT WRITTEN PERMISSION		CURRENT REV DESC: MIGRATION.		molex
	DIMENSION UNITS	SCALE			
$\frac{F}{A} = 0$	mm	3:1			GANGED INVERTED MODJACK ASSEMBLY
$\frac{F}{C} = 0$	GENERAL TOLERANCES (UNLESS SPECIFIED)				
$\frac{F}{P} = 0$	ANGULAR TOL ± 0.5°				PRODUCT CUSTOMER DRAWING
DIVISIONAL SYMBOLS	4 PLACES ±		EC NO: 708533		
	3 PLACES ±		DRWN: FAYEW 2022/05/26		
	2 PLACES ± 0.25		CHK'D: KLANG 2022/06/29		
	1 PLACE ±		APPR: KLANG 2022/06/29		
	0 PLACES ±		INITIAL REVISION:		
	DRAFT WHERE APPLICABLE MUST REMAIN WITHIN DIMENSIONS		DRWN: FAYEW 2022/05/26		DOCUMENT NUMBER 442480001
	THIRD ANGLE PROJECTION		APPR: KLANG 2022/06/29		
		DRAWING	SERIES	MATERIAL NUMBER	CUSTOMER
		C-SIZE	44248	SEE CHART	GENERAL MARKET
					SHEET NUMBER 1 OF 6

PREVIOUS DRAWING: SD-44248-001



SNAP-FIT PEG OPTION

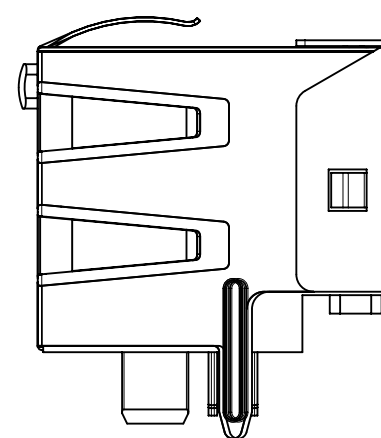
SCALE: NTS
SEE NOTE 8



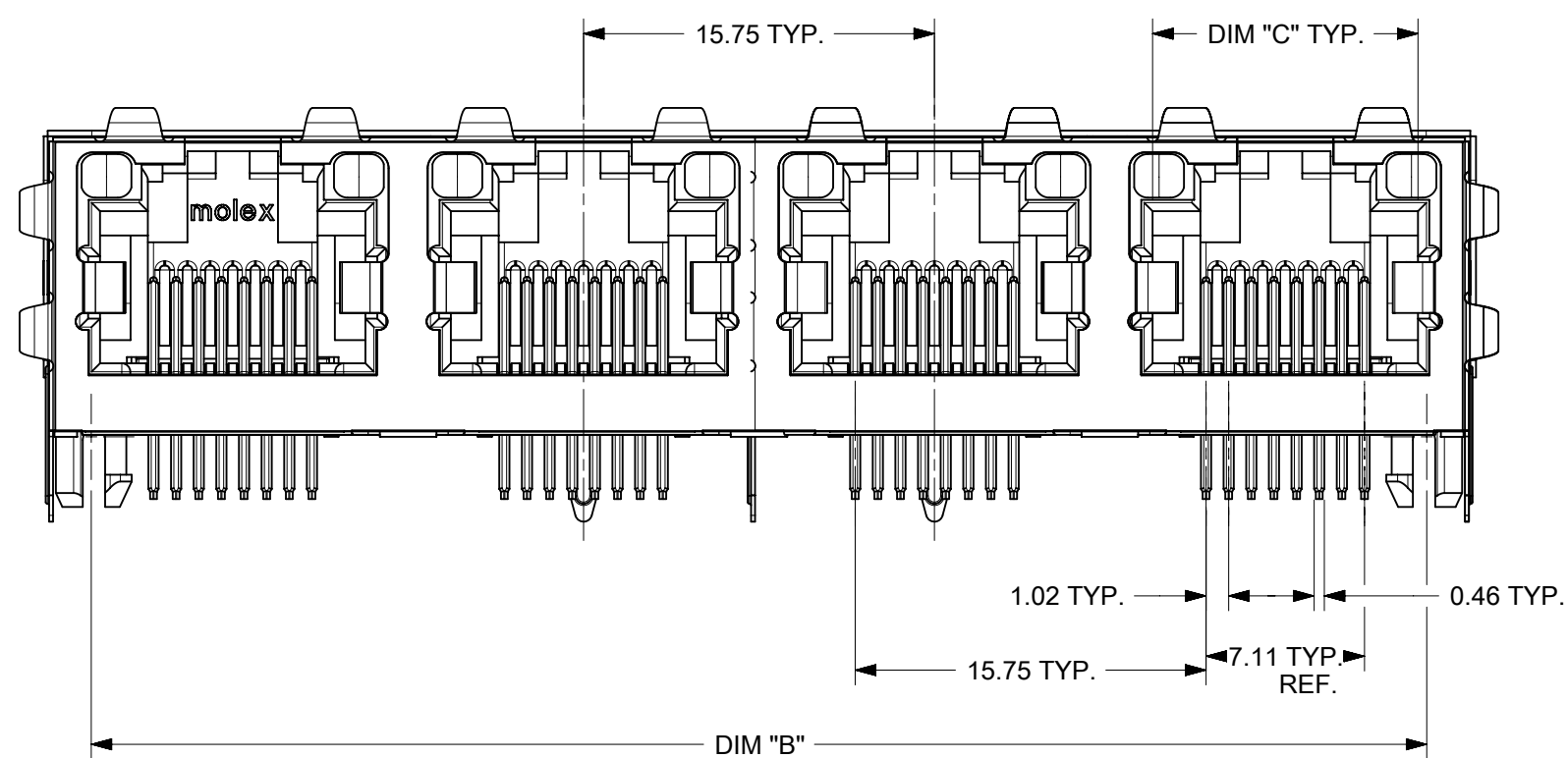
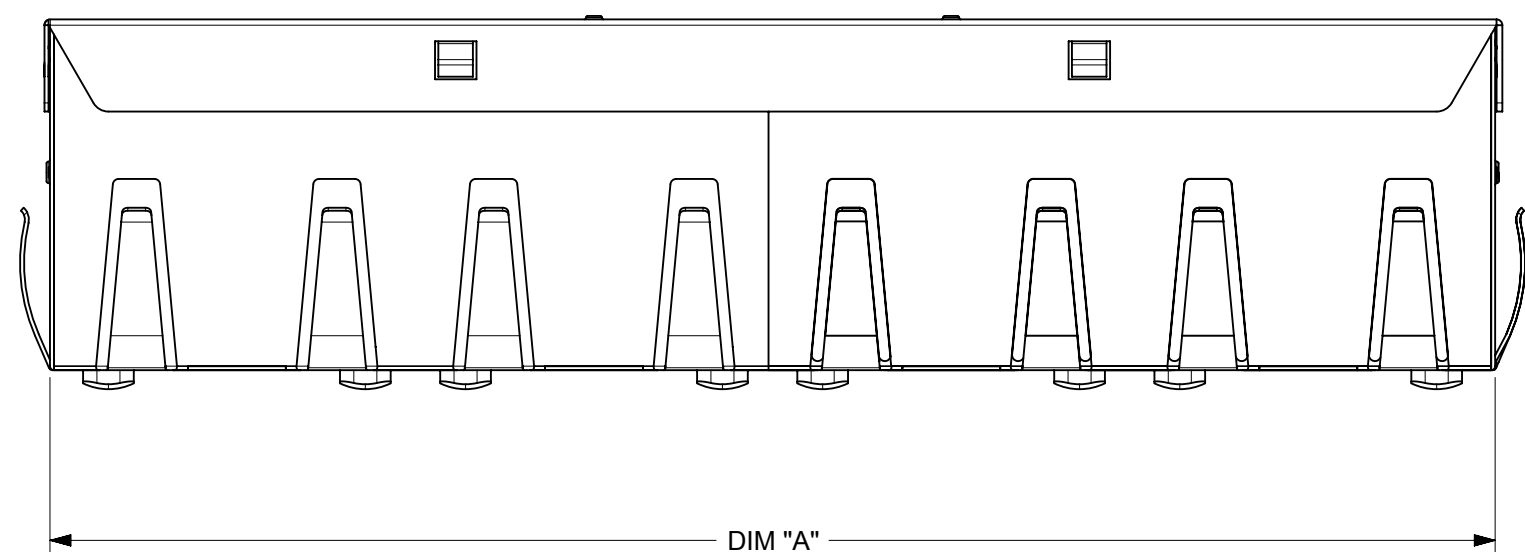
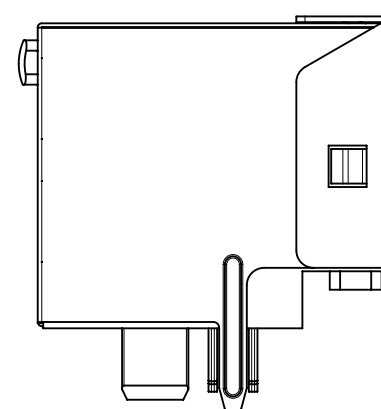
PRESS-FIT PEG OPTION

SCALE: NTS
SEE NOTE 8

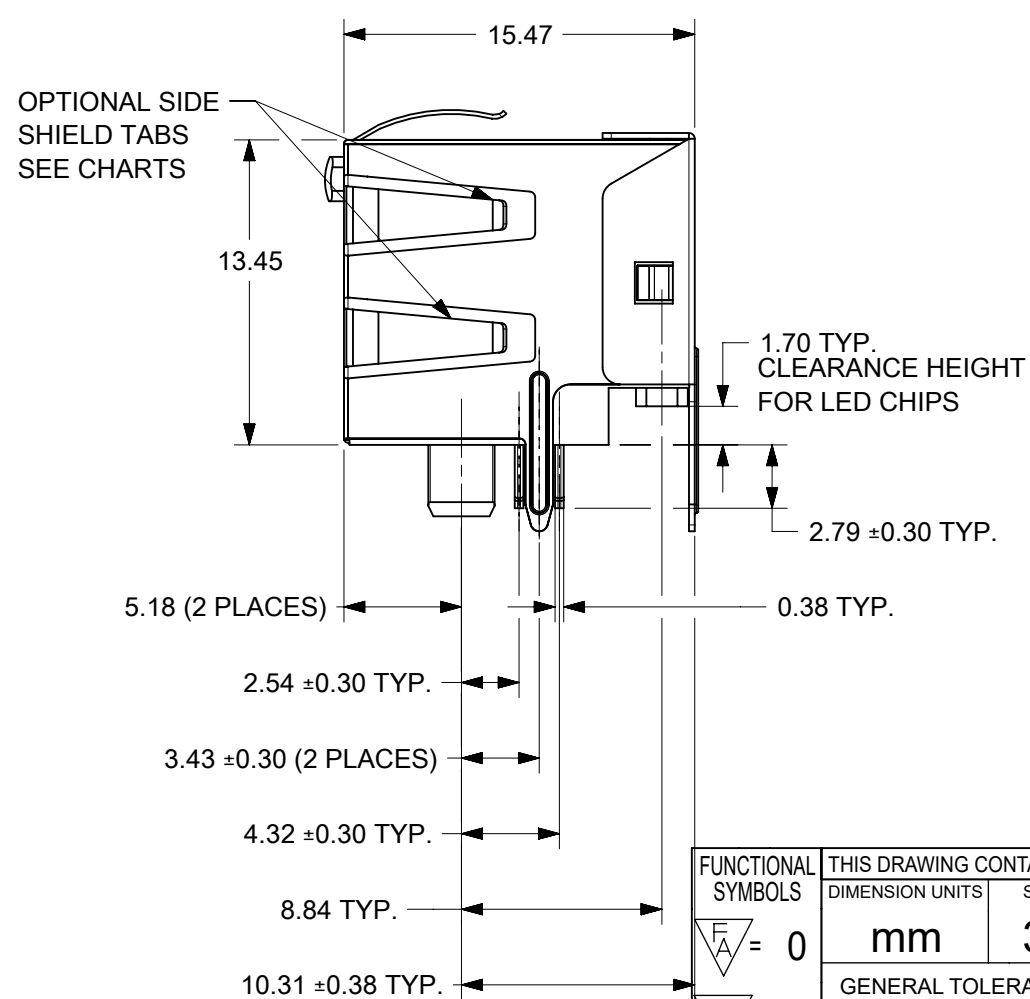
**SIDE SHIELD
TAB OPTION A**



**SIDE SHIELD
TAB OPTION B**



**SHIELDED
WITH LIGHT PIPES**



(8) CIRCUIT HOUSING(S)

X = NOT TOOLED	ASSEMBLY MATERIAL NUMBER	NUMBER OF CIRCUITS	NUMBER OF PORTS	PEG STYLE	SIDE SHIELD TAB OPTION	DIM "A"	DIM "B"	DIM "C"
	44248-0029	8	2	SNAP-FIT	A	32.36	28.45	11.92
	44248-0030	8	4	SNAP-FIT	A	63.86	59.94	11.92
	44248-0033	8	2	PRESS-FIT	A	32.36	28.45	11.92
	44248-0034	8	4	PRESS-FIT	A	63.86	59.94	11.92

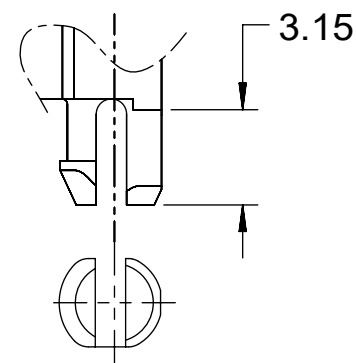
(6) CIRCUIT HOUSING(S)

X = NOT TOOLED	ASSEMBLY MATERIAL NUMBER	NUMBER OF CIRCUITS	NUMBER OF PORTS	PEG STYLE	SIDE SHIELD TAB OPTION	DIM "A"	DIM "B"	DIM "C"
X	44248-0037	6	2	SNAP-FIT	A	32.36	28.45	9.88
X	44248-0038	4	2	SNAP-FIT	A	32.36	28.45	9.88
X	44248-0039	6	4	SNAP-FIT	A	63.86	59.94	9.88
X	44248-0040	4	4	SNAP-FIT	A	63.86	59.94	9.88
X	44248-0045	6	2	PRESS-FIT	A	32.36	28.45	9.88
X	44248-0046	4	2	PRESS-FIT	A	32.36	28.45	9.88
X	44248-0047	6	4	PRESS-FIT	A	63.86	59.94	9.88
X	44248-0048	4	4	PRESS-FIT	A	63.86	59.94	9.88

NOTES:

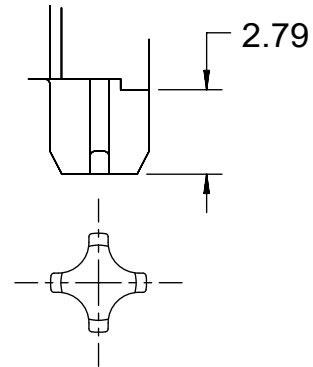
- MATERIAL:**
HOUSING: POLYESTER(PBT), GLASS FILLED, UL94V-0, COLOR: BLACK
LIGHT PIPES: POLYCARBONATE, UL-94V2, COLOR: CLEAR
TERMINALS: PHOSPHOR BRONZE
SHIELD: BRASS
- FINISH:**
TERMINALS:
SELECT GOLD IN CONTACT AREA: 1.27 MICROMETERS MIN.,
SELECT TIN IN PC TAIL AREA: 2.54 MICROMETERS MIN.,
WITH OVERALL NICKEL UNDERPLATE: 1.27 MICROMETERS MIN.
- SHIELD:**
2.54 MICROMETERS NICKEL OVER 1.27 MICROMETERS
COPPER UNDERPLATE PCB GROUND TABS DIPPED IN TIN
- PRODUCT SPECIFICATION AND PROCESSING PARAMETERS: PS-43860-003.**
- PACKAGING SPECIFICATION:**
CONNECTOR ASSEMBLIES IN THERMOFORMED TRAYS PER MOLEX PACKAGING SPECIFICATION PK-44248-004.
- APPLICATION SPECIFICATION: AS-43860-001**
- ALL UNTOLERANCED DIMENSIONS ARE SHOWN FOR REFERENCE ONLY.
- CONFORMS TO FCC REGULATION PART 68.5 FOR MODULAR JACKS.
- MODJACKS AVAILABLE WITH EITHER SNAP-FIT OR PRESS-FIT PEGS.
- THIS DRAWING SHOWS SNAP-FIT PEGS.
- PCB LAYOUT AND PANEL CUT-OUT SHOWN ON SHEETS (5) AND (6).
- THIS PART CONFORMS TO CLASS B REQUIREMENTS OF COSMETIC SPECIFICATION PS-45499-002.

FUNCTIONAL SYMBOLS		THIS DRAWING CONTAINS INFORMATION THAT IS PROPRIETARY TO MOLEX ELECTRONIC TECHNOLOGIES, LLC AND SHOULD NOT BE USED WITHOUT WRITTEN PERMISSION		CURRENT REV DESC: MIGRATION.		molex	
$\frac{F}{A} = 0$	mm	SCALE	3:1	EC NO: 708533			
$\frac{E}{C} = 0$	GENERAL TOLERANCES (UNLESS SPECIFIED)		4 PLACES ±		DRWN: FAYEW	2022/05/26	GANGED INVERTED MODJACK ASSEMBLY
$\frac{E}{P} = 0$	ANGULAR TOL ± 0.5°		3 PLACES ±		CHK'D: KLANG	2022/06/29	
DIVISIONAL SYMBOLS		4 PLACES ±		APPR: KLANG		2022/06/29	PRODUCT CUSTOMER DRAWING
		2 PLACES ± 0.25		INITIAL REVISION:		DOCUMENT NUMBER	
		1 PLACE ±		DRWN: FAYEW		2022/05/26	442480001
		0 PLACES ±		APPR: KLANG		2022/06/29	
DRAFT WHERE APPLICABLE MUST REMAIN WITHIN DIMENSIONS		THIRD ANGLE PROJECTION	DRAWING	SERIES	MATERIAL NUMBER	CUSTOMER	DOC TYPE
			C-SIZE	44248	SEE CHART	GENERAL MARKET	DOC PART
							REVISION
							PSD 000 C7
							SHEET NUMBER
							2 OF 6



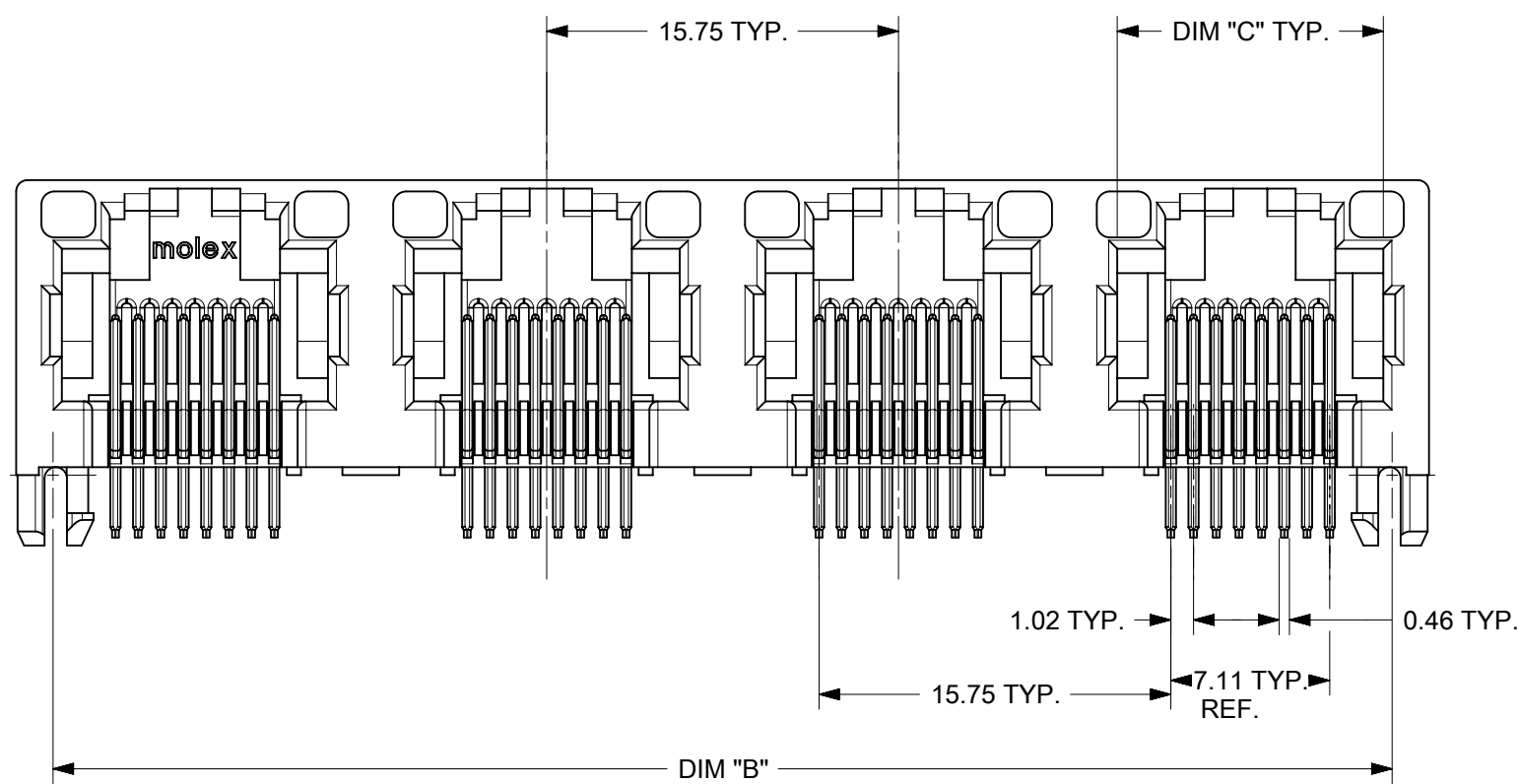
SNAP-FIT PEG OPTION

SCALE: NTS
SEE NOTE 7

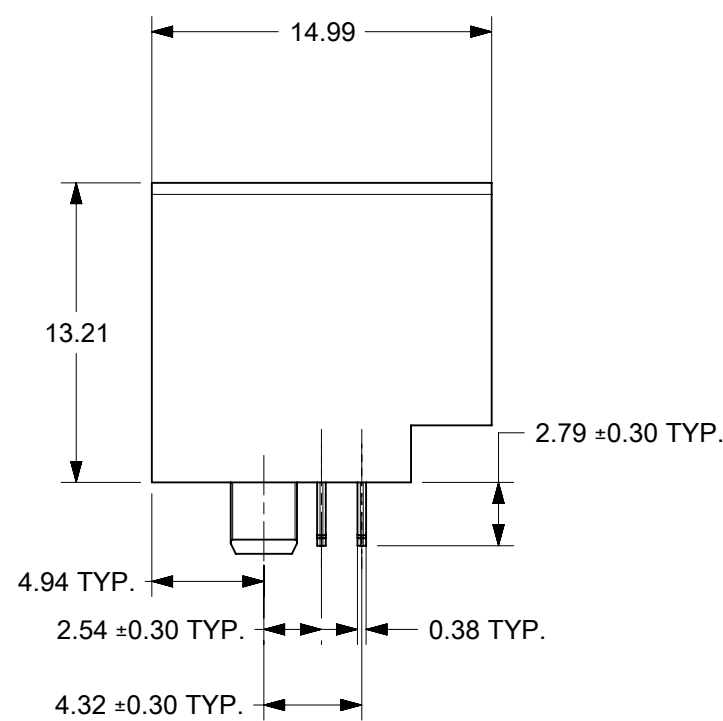


PRESS-FIT PEG OPTION

SCALE: NTS
SEE NOTE 7



UNSHIELDED



8 CIRCUIT HOUSING(S)

X = NOT TOOLED	ASSEMBLY MAT'L NUM	NUM OF CIRCUITS	NUM OF PORTS	PEG STYLE	DIM "A"	DIM "B"	DIM "C"
	44248-0057	8	2	SNAP-FIT	31.75	28.45	11.92
	44248-0058	8	4	SNAP-FIT	63.25	59.94	11.92
X	44248-0061	8	2	PRESS-FIT	31.75	28.45	11.92
X	44248-0062	8	4	PRESS-FIT	63.25	59.94	11.92

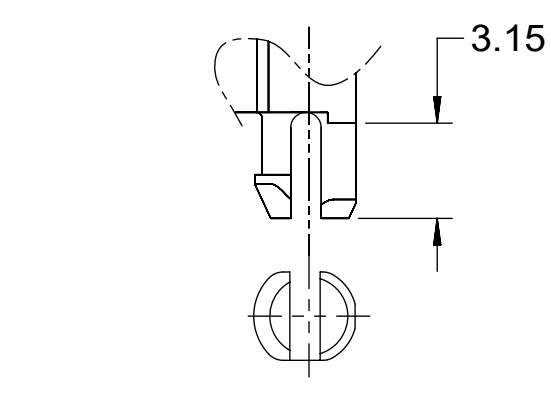
6 CIRCUIT HOUSING(S)

X = NOT TOOLED	ASSEMBLY MAT'L NUM	NUM OF CIRCUITS	NUM OF PORTS	PEG STYLE	DIM "A"	DIM "B"	DIM "C"
X	44248-0065	6	2	SNAP-FIT	31.75	28.45	9.88
X	44248-0066	4	2	SNAP-FIT	31.75	28.45	9.88
X	44248-0067	6	4	SNAP-FIT	63.25	59.94	9.88
X	44248-0068	4	4	SNAP-FIT	63.25	59.94	9.88
X	44248-0073	6	2	PRESS-FIT	31.75	28.45	9.88
X	44248-0074	4	2	PRESS-FIT	31.75	28.45	9.88
X	44248-0075	6	4	PRESS-FIT	63.25	59.94	9.88
X	44248-0076	4	4	PRESS-FIT	63.25	59.94	9.88

NOTES:

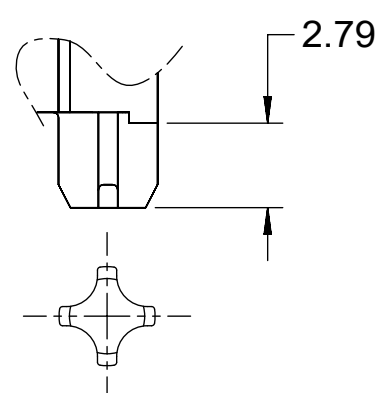
- MATERIAL:
HOUSING: POLYESTER(PBT), GLASS FILLED, UL94V-0, COLOR: BLACK
TERMINALS: PHOSPHOR BRONZE
- FINISH:
TERMINALS:
SELECT GOLD IN CONTACT AREA: 1.27 MICROMETERS MIN.,
SELECT TIN IN PC TAIL AREA: 2.54 MICROMETERS MIN.,
WITH OVERALL NICKEL UNDERPLATE: 1.27 MICROMETERS MIN.
- PRODUCT SPECIFICATION AND PROCESSING PARAMETERS: PS-43860-003.
- PACKAGING SPECIFICATION:
CONNECTOR ASSEMBLIES IN THERMOFORMED TRAYS PER MOLEX PACKAGING SPECIFICATION PK-44248-004.
- ALL UNTOLERANCED DIMENSIONS ARE SHOWN FOR REFERENCE ONLY.
- CONFORMS TO FCC REGULATION PART 68.5 FOR MODULAR JACKS.
- MODJACKS AVAILABLE WITH EITHER SNAP-FIT OR PRESS-FIT PEGS.
THIS DRAWING SHOWS SNAP-FIT PEGS.
- PCB LAYOUT AND PANEL CUT-OUT SHOWN ON SHEETS (5) AND (6).
- THIS PART CONFORMS TO CLASS B REQUIREMENTS OF COSMETIC SPECIFICATION PS-45499-002.

FUNCTIONAL SYMBOLS $\frac{F}{A} = 0$ $\frac{F}{C} = 0$ $\frac{F}{P} = 0$	THIS DRAWING CONTAINS INFORMATION THAT IS PROPRIETARY TO MOLEX ELECTRONIC TECHNOLOGIES, LLC AND SHOULD NOT BE USED WITHOUT WRITTEN PERMISSION		CURRENT REV DESC: MIGRATION.		
	DIMENSION UNITS	SCALE	EC NO: 708533		
	mm	3:1	DRWN: FAYEW 2022/05/26		
	GENERAL TOLERANCES (UNLESS SPECIFIED)		CHK'D: KLANG 2022/06/29		
DIVISIONAL SYMBOLS 4 PLACES ± 3 PLACES ± 2 PLACES ± 0.25 1 PLACE ± 0 PLACES ±	ANGULAR TOL ± 0.5°		APPR: KLANG 2022/06/29		PRODUCT CUSTOMER DRAWING DOCUMENT NUMBER: 442480001 DOC TYPE: PSD DOC PART: 000 REVISION: C7
	DRAFT WHERE APPLICABLE MUST REMAIN WITHIN DIMENSIONS		INITIAL REVISION: DRWN: FAYEW 2022/05/26 APPR: KLANG 2022/06/29		
	THIRD ANGLE PROJECTION		DRAWING SERIES: C-SIZE 44248		
	MATERIAL NUMBER: SEE CHART		CUSTOMER: GENERAL MARKET		
SHEET NUMBER: 3 OF 6					



SNAP-FIT PEG OPTION

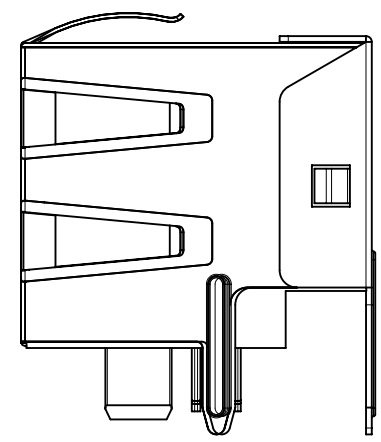
SCALE: NTS
SEE NOTE 7



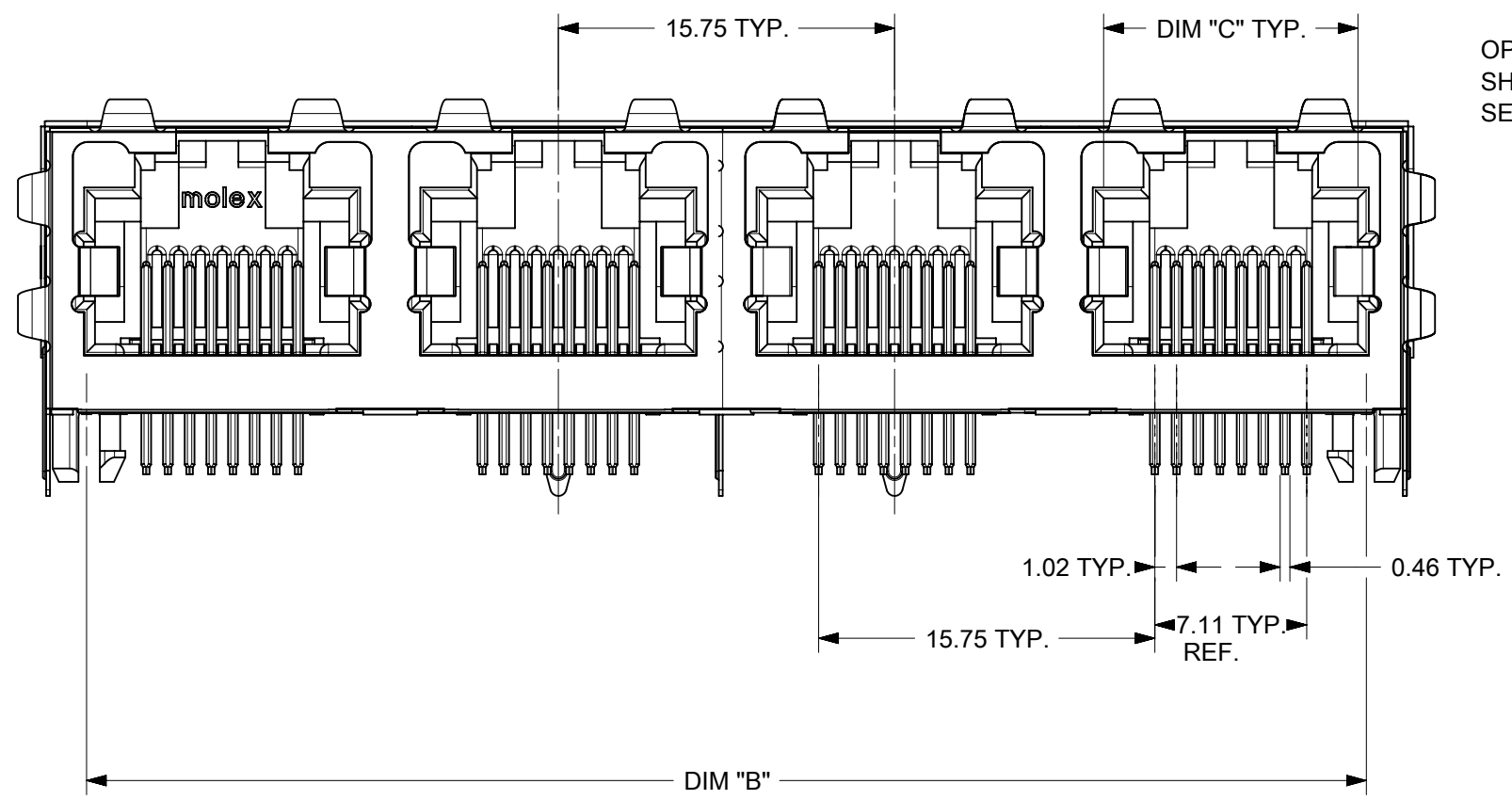
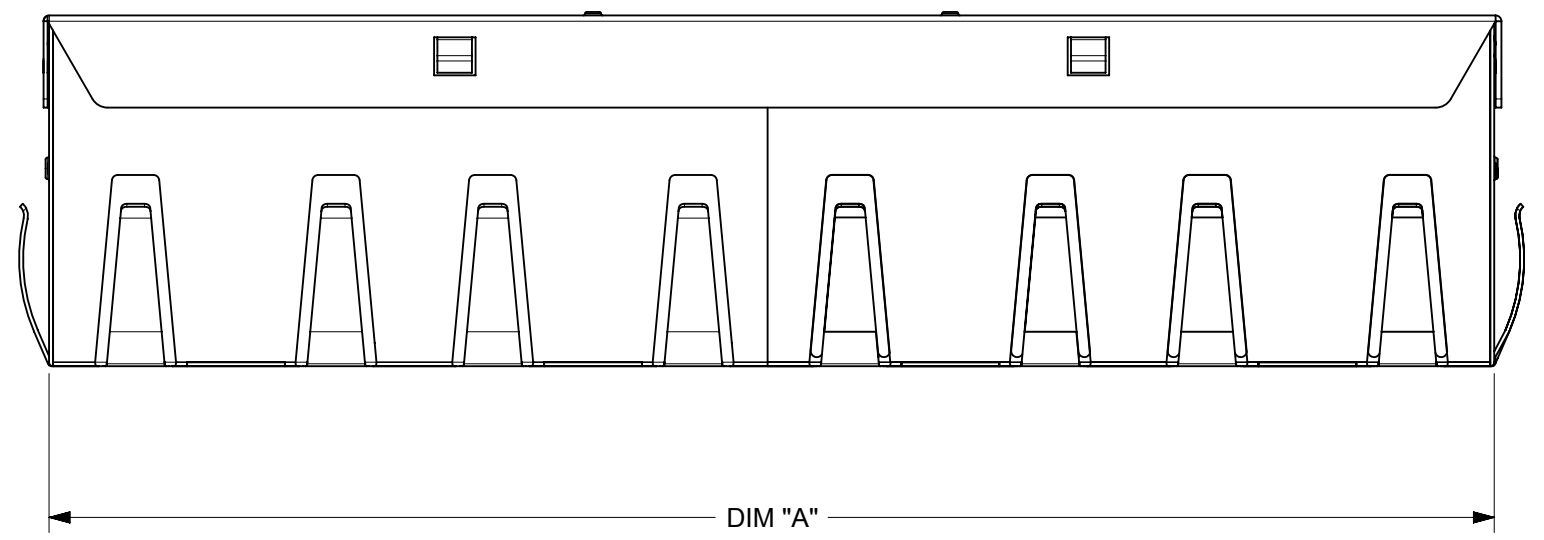
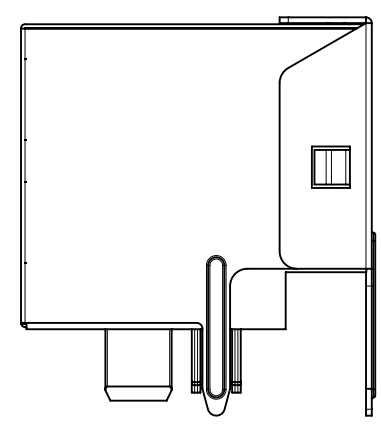
PRESS-FIT PEG OPTION

SCALE: NTS
SEE NOTE 7

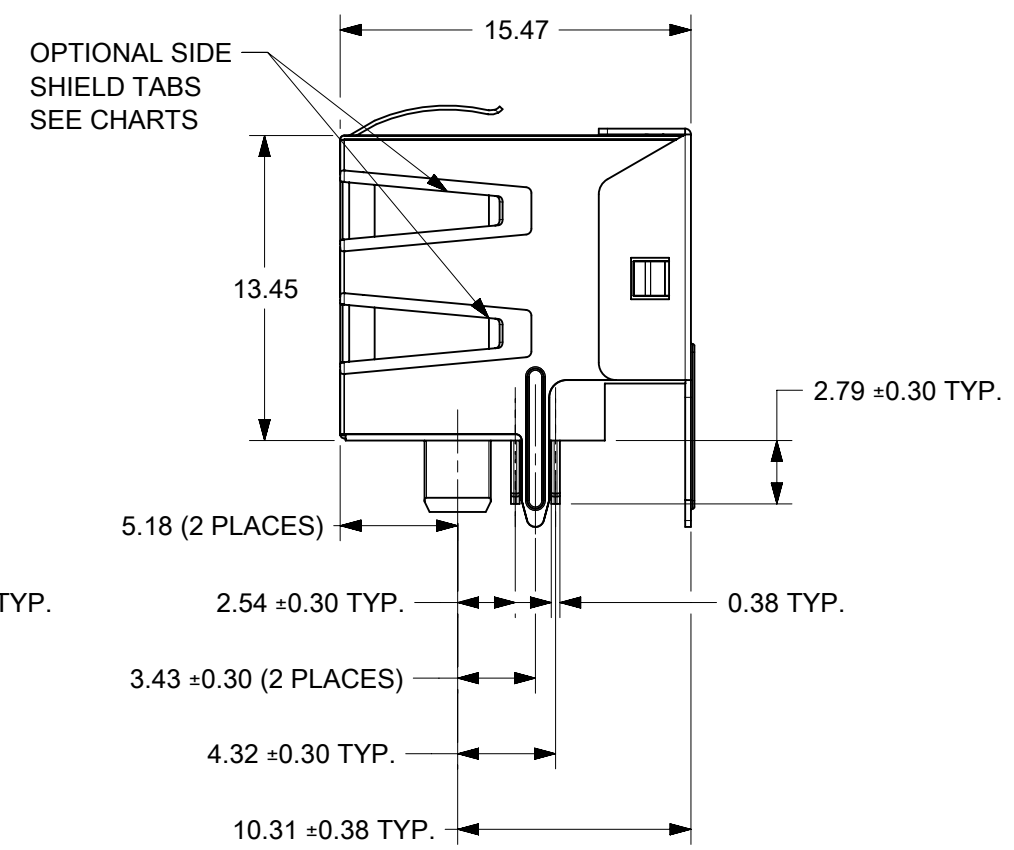
**SIDE SHIELD
TAB OPTION A**



**SIDE SHIELD
TAB OPTION B**



SHIELDED



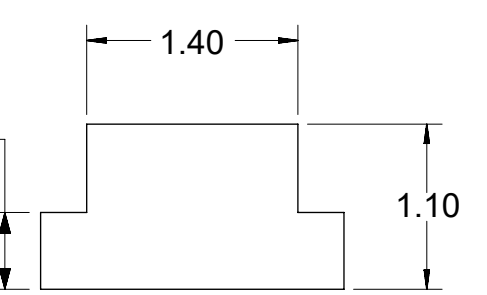
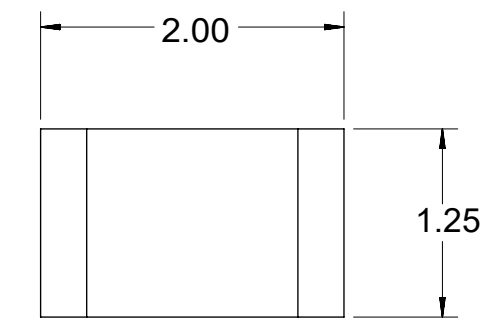
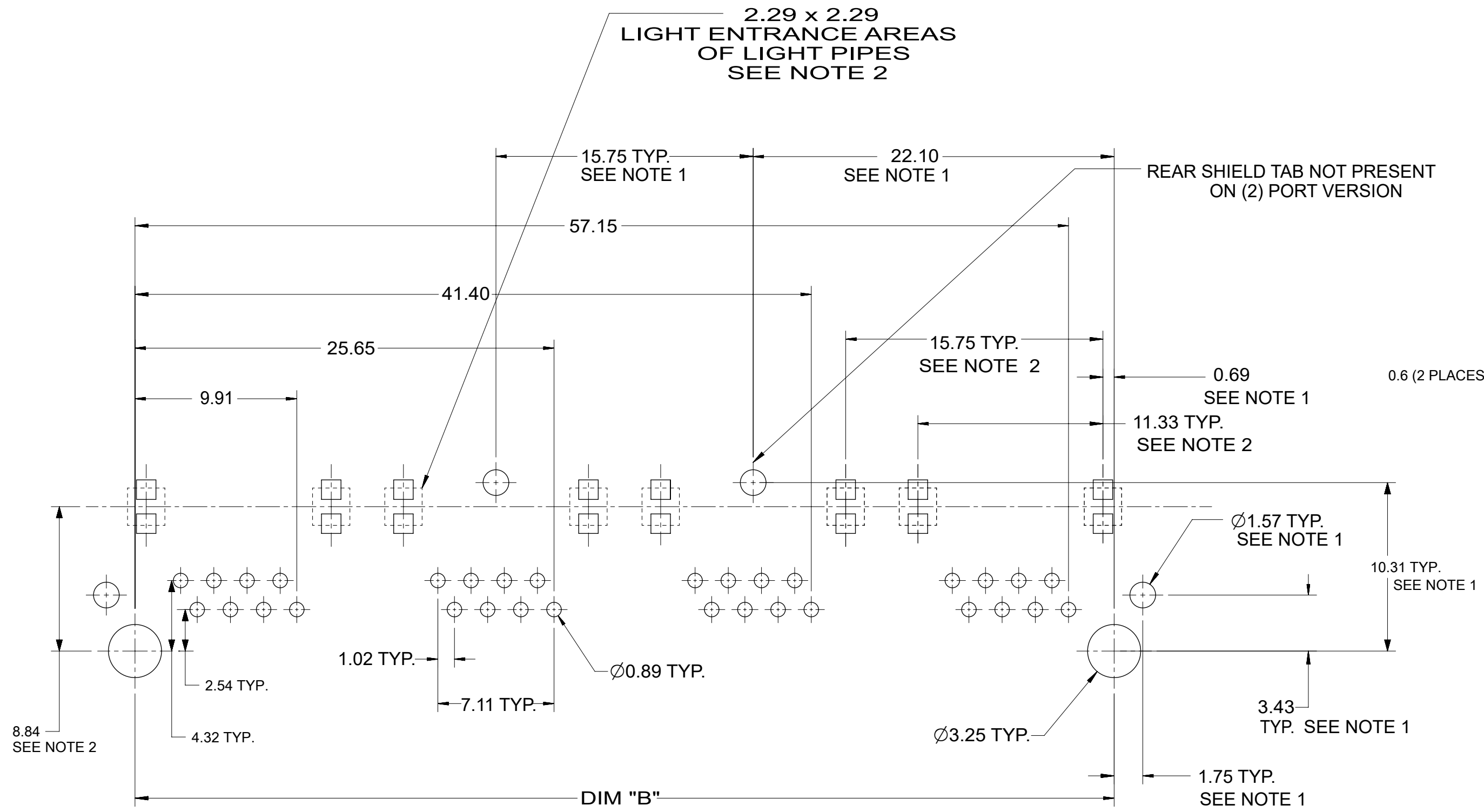
(8) CIRCUIT HOUSING(S)								
X = NOT TOOLED	ASSEMBLY MATERIAL NUMBER	NUMBER OF CIRCUITS	NUMBER OF PORTS	PEG STYLE	SIDE SHIELD TAB OPTION	DIM "A"	DIM "B"	DIM "C"
	44248-0085	8	2	SNAP-FIT	A	32.36	28.45	11.92
	44248-0086	8	4	SNAP-FIT	A	63.86	59.94	11.92
	44248-0089	8	2	PRESS-FIT	A	32.36	28.45	11.92
	44248-0090	8	4	PRESS-FIT	A	63.86	59.94	11.92
X	44248-0119	8	4	PRESS-FIT	B	63.86	59.94	11.92

6 CIRCUIT HOUSING(S)								
X = NOT TOOLED	ASSEMBLY MAT'L NUM	NUM OF CIRCUITS	NUM OF PORTS	PEG STYLE	SIDE SHIELD TAB OPTION	DIM "A"	DIM "B"	DIM "C"
	44248-0093	6	2	SNAP-FIT	A	32.36	28.45	9.88
X	44248-0094	4	2	SNAP-FIT	A	32.36	28.45	9.88
	44248-0095	6	4	SNAP-FIT	A	63.86	59.94	9.88
X	44248-0096	4	4	SNAP-FIT	A	63.86	59.94	9.88
	44248-0101	6	2	PRESS-FIT	A	32.36	28.45	9.88
X	44248-0102	4	2	PRESS-FIT	A	32.36	28.45	9.88
X	44248-0103	6	4	PRESS-FIT	A	63.86	59.94	9.88
X	44248-0104	4	4	PRESS-FIT	A	63.86	59.94	9.88

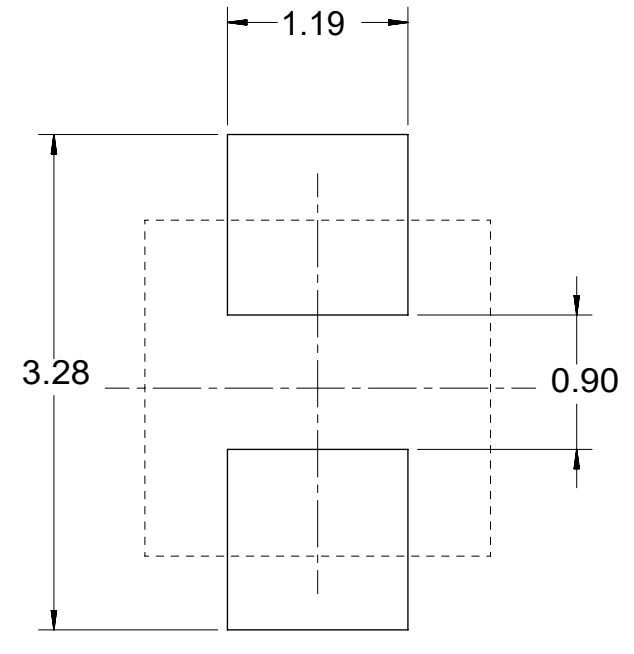
- NOTES:
- MATERIAL:
HOUSING: POLYESTER(PBT), GLASS FILLED, UL94V-0, COLOR: BLACK
TERMINALS: PHOSPHOR BRONZE
SHIELD: BRASS
 - FINISH:
TERMINALS:
SELECT GOLD IN CONTACT AREA: 1.27 MICROMETERS MIN.,
SELECT TIN IN PC TAIL AREA: 2.54 MICROMETERS MIN.,
WITH OVERALL NICKEL UNDERPLATE: 1.27 MICROMETERS MIN.
SHIELD:
2.54 MICROMETERS NICKEL OVER 1.27 MICROMETERS
COPPER UNDERPLATE PCB GROUND TABS DIPPED IN TIN
 - PRODUCT SPECIFICATION AND PROCESSING PARAMETERS: PS-43860-003.
 - PACKAGING SPECIFICATION:
CONNECTOR ASSEMBLIES IN THERMOFORMED TRAYS PER MOLEX PACKAGING SPECIFICATION PK-44248-004.
 - ALL UNTOLERANCED DIMENSIONS ARE SHOWN FOR REFERENCE ONLY.
 - CONFORMS TO FCC REGULATION PART 68.5 FOR MODULAR JACKS.
 - MODJACKS AVAILABLE WITH EITHER SNAP-FIT OR PRESS-FIT PEGS.
THIS DRAWING SHOWS SNAP-FIT PEGS.
 - PCB LAYOUT AND PANEL CUT-OUT SHOWN ON SHEETS (5) AND (6).
 - THIS PART CONFORMS TO CLASS B REQUIREMENTS OF COSMETIC SPECIFICATION PS-45499-002.

FUNCTIONAL SYMBOLS	THIS DRAWING CONTAINS INFORMATION THAT IS PROPRIETARY TO MOLEX ELECTRONIC TECHNOLOGIES, LLC AND SHOULD NOT BE USED WITHOUT WRITTEN PERMISSION		CURRENT REV DESC: MIGRATION.		
	DIMENSION UNITS	SCALE			
$\frac{F}{A} = 0$	mm	3:1			GANGED INVERTED MODJACK ASSEMBLY
$\frac{F}{C} = 0$	GENERAL TOLERANCES (UNLESS SPECIFIED)				
$\frac{F}{P} = 0$	ANGULAR TOL ± 0.5°				PRODUCT CUSTOMER DRAWING
DIVISIONAL SYMBOLS	4 PLACES ±		EC NO: 708533		
	3 PLACES ±		DRWN: FAYEW 2022/05/26		
	2 PLACES ± 0.25		CHK'D: KLANG 2022/06/29		
	1 PLACE ±		APPR: KLANG 2022/06/29		
	0 PLACES ±		INITIAL REVISION:		
	DRAFT WHERE APPLICABLE MUST REMAIN WITHIN DIMENSIONS		DRWN: FAYEW 2022/05/26		DOCUMENT NUMBER 442480001
	THIRD ANGLE PROJECTION		APPR: KLANG 2022/06/29		
		DRAWING	SERIES	MATERIAL NUMBER	DOC TYPE DOC PART REVISION
		C-SIZE	44248	SEE CHART	PSD 000 C7
				CUSTOMER	SHEET NUMBER
				GENERAL MARKET	4 OF 6

2.29 x 2.29
LIGHT ENTRANCE AREAS
OF LIGHT PIPES
SEE NOTE 2

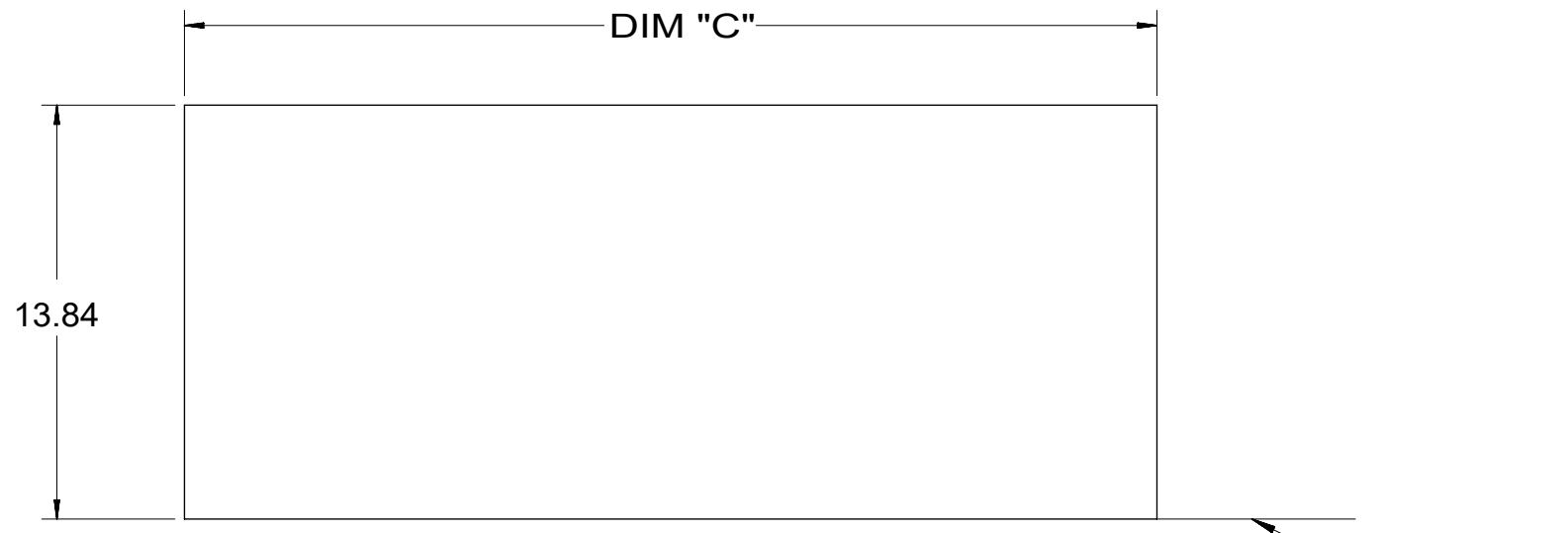


RECOMMENDED SMT LED DIMENSIONS
SCALE: NTS
(SEE NOTE 3)

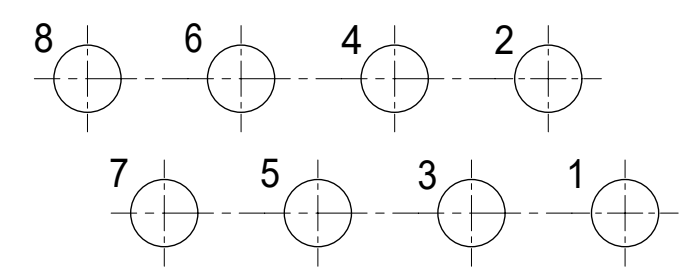


RECOMMENDED SMT LED SOLDER PATTERN
SCALE: NTS

8 CIRCUIT PCB LAYOUT: COMPONENT SIDE
RECOMMENDED PCB THICKNESS: 1.57 mm
TOLERANCE ±0.076 UNLESS OTHERWISE SPECIFIED



RECOMMENDED PANEL CUTOUT

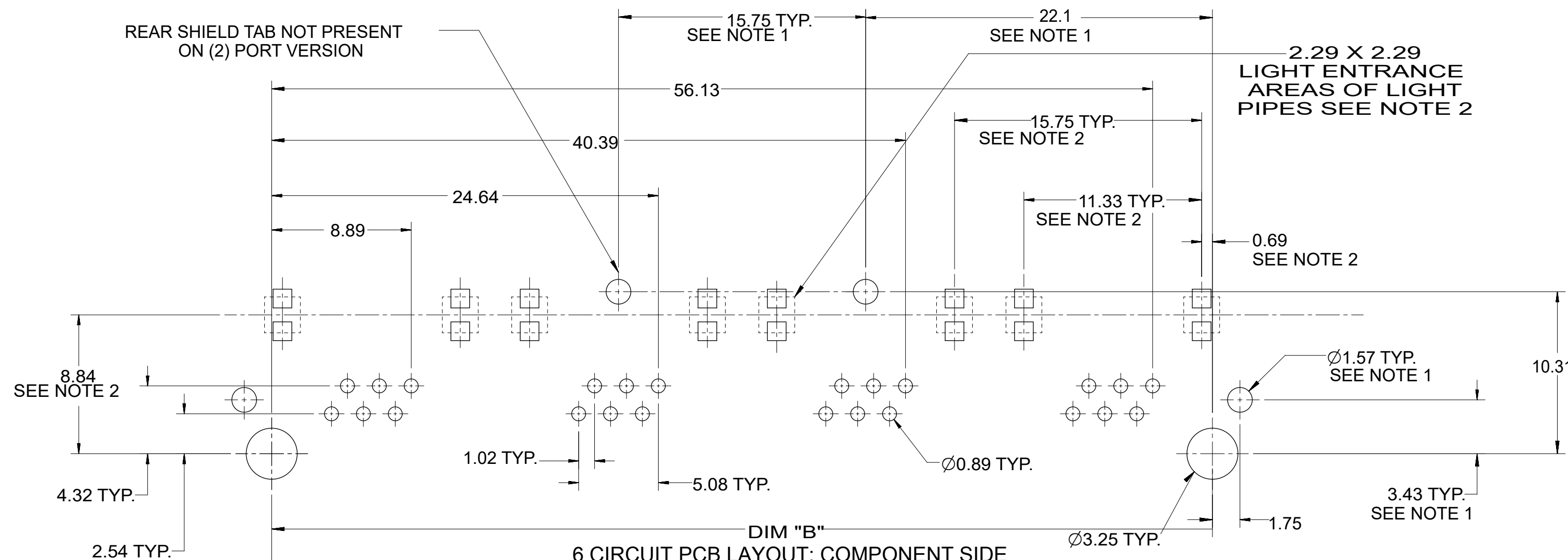


TYPICAL PC TERMINAL HOLE LAYOUT
(8) CIRCUIT CONFIGURATION
SCALE: 10:1

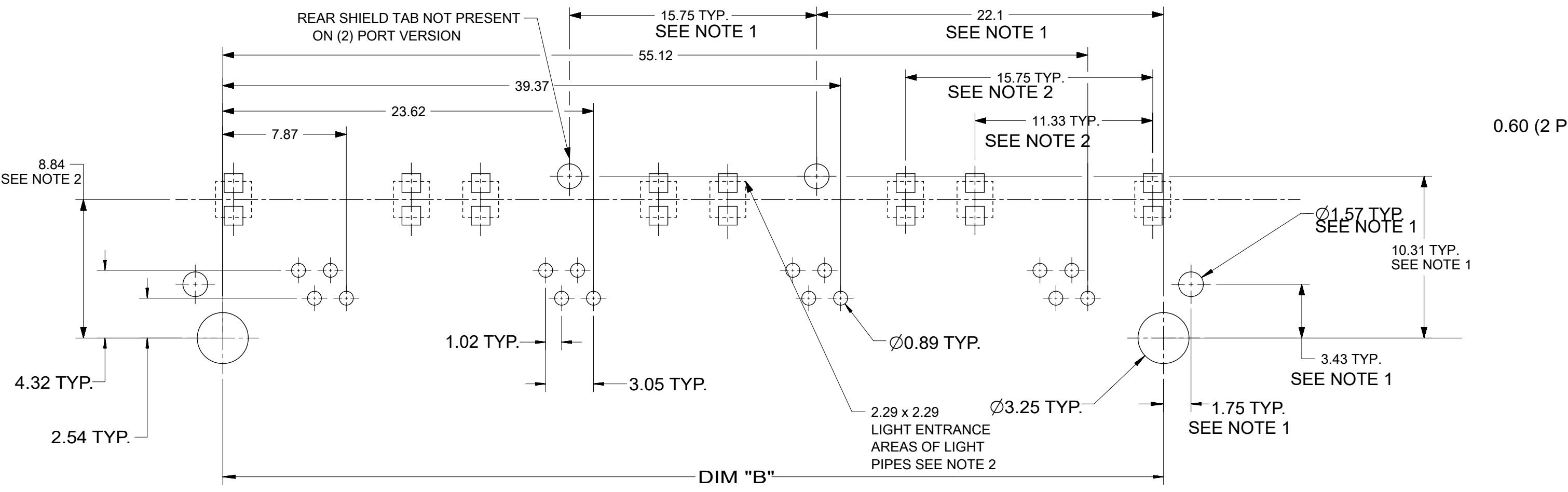
- NOTES:
- 1) DIMENSIONS MARKED "SEE NOTE 1" REFER TO ASSEMBLIES WITH THE SHIELDING OPTION INCLUDED
 - 2) DIMENSIONS MARKED "SEE NOTE 2" REFER TO ASSEMBLIES WITH THE LIGHT PIPE OPTION INCLUDED
 - 3) FOR CROSS REFERENCE OF RECOMMENDED LEDS SEE MOLEX WEB SITE.

NUMBER OF PORTS	DIM "B"	DIM "C"
2	28.45	32.51
4	59.94	64.01

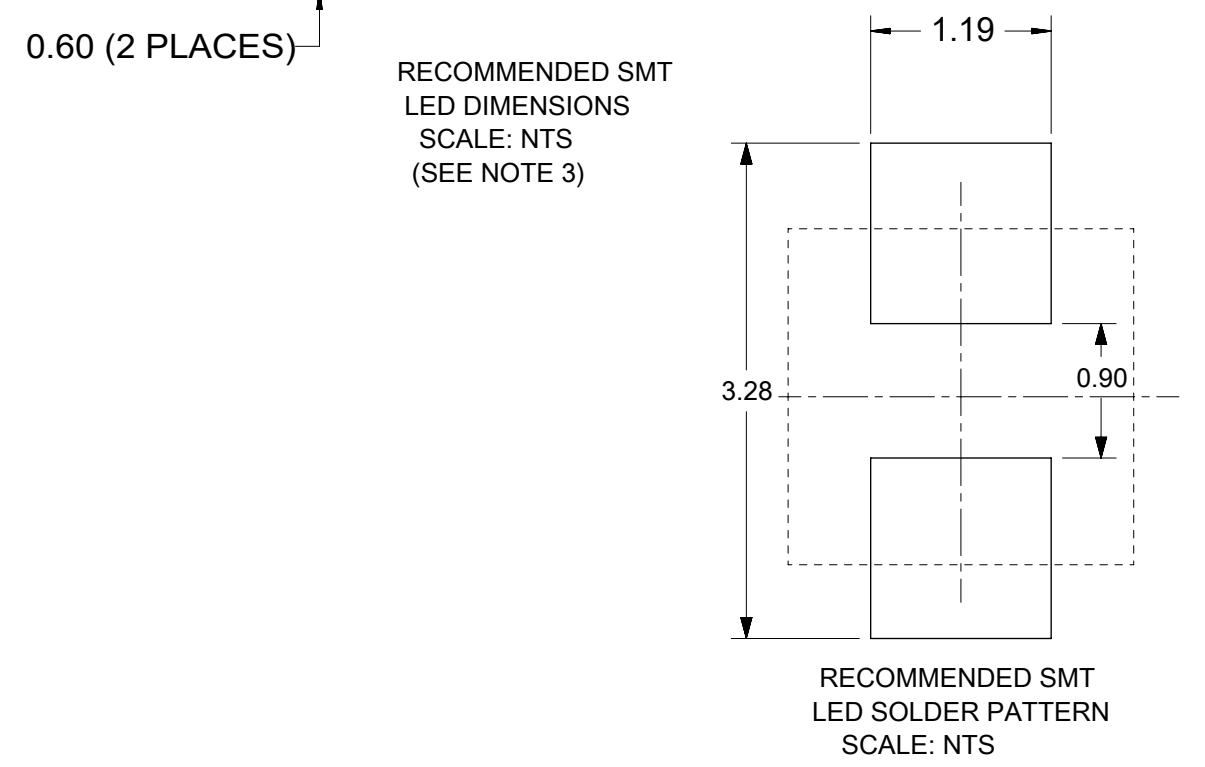
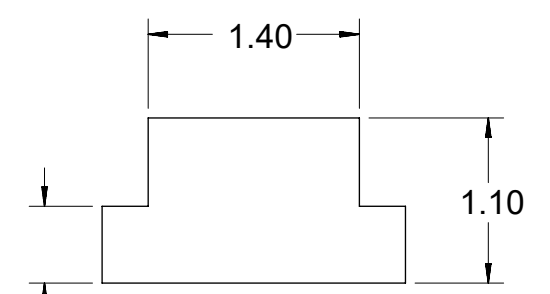
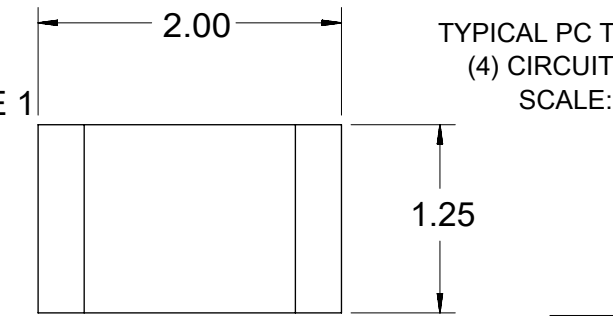
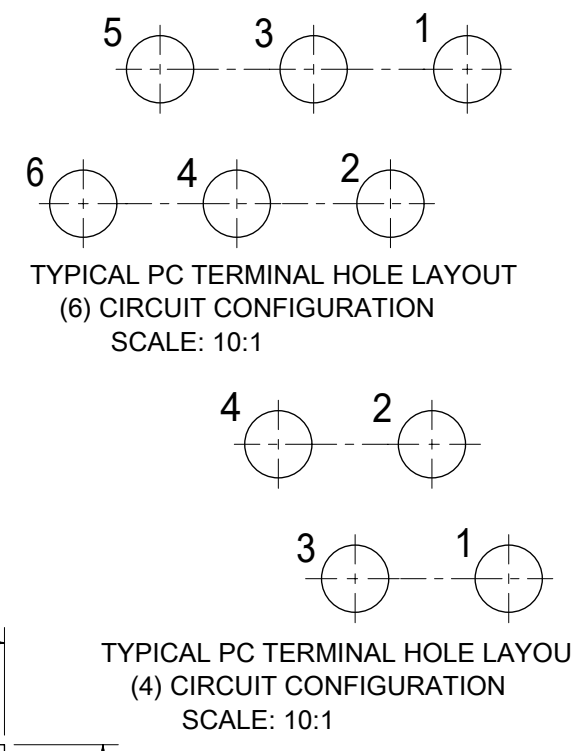
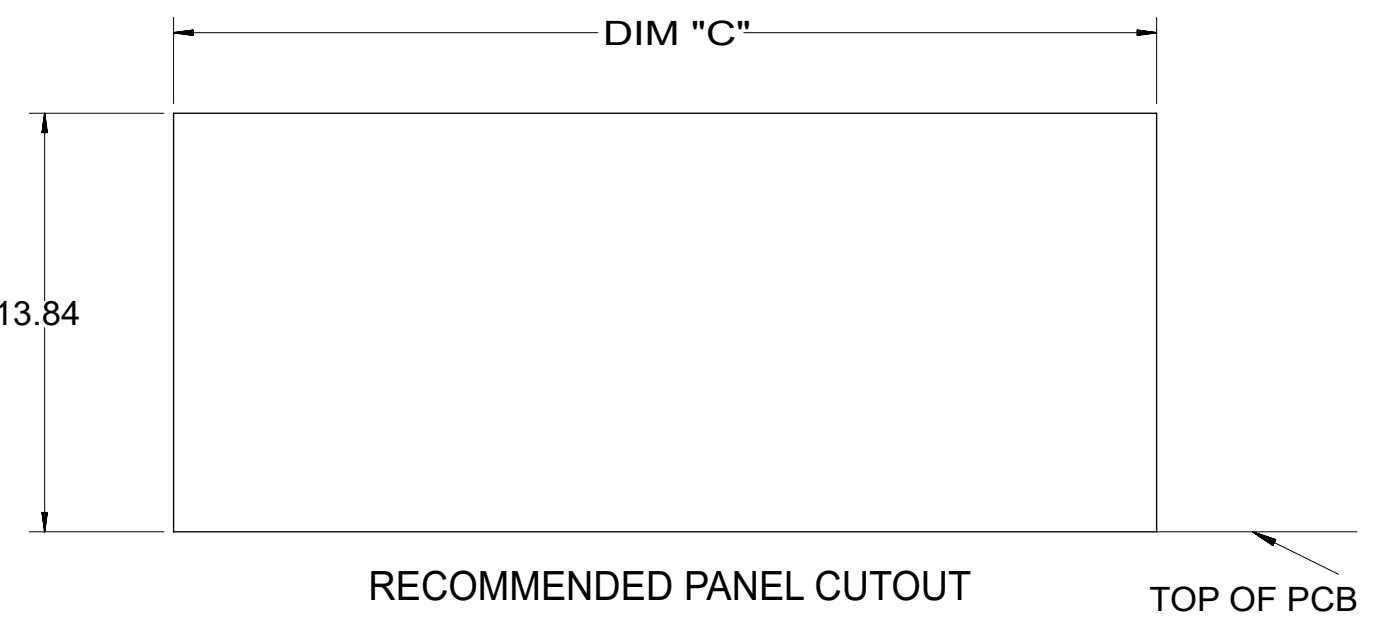
FUNCTIONAL SYMBOLS	THIS DRAWING CONTAINS INFORMATION THAT IS PROPRIETARY TO MOLEX ELECTRONIC TECHNOLOGIES, LLC AND SHOULD NOT BE USED WITHOUT WRITTEN PERMISSION		CURRENT REV DESC: MIGRATION.		
	DIMENSION UNITS	SCALE			
$\frac{F}{A} = 0$	mm	1:1			EC NO: 708533 DRWN: FAYEW 2022/05/26 CHK'D: KLANG 2022/06/29 APPR: KLANG 2022/06/29
$\frac{F}{C} = 0$	GENERAL TOLERANCES (UNLESS SPECIFIED)				
$\frac{F}{P} = 0$	ANGULAR TOL ± 0.5°				INITIAL REVISION: DRWN: FAYEW 2022/05/26 APPR: KLANG 2022/06/29
DIVISIONAL SYMBOLS	4 PLACES	±			
	3 PLACES	±			DOCUMENT NUMBER
	2 PLACES	± 0.25			442480001
	1 PLACE	±			DOC TYPE
	0 PLACES	±			PSD
	DRAFT WHERE APPLICABLE MUST REMAIN WITHIN DIMENSIONS		THIRD ANGLE PROJECTION	DRAWING	DOC PART
				C-SIZE	000
				SERIES	REVISION
				44248	C7
				MATERIAL NUMBER	SHEET NUMBER
				SEE CHART	5 OF 6
				CUSTOMER	
				GENERAL MARKET	



6 CIRCUIT PCB LAYOUT: COMPONENT SIDE
 RECOMMENDED PCB THICKNESS: 1.57
 TOLERANCE ±0.076 UNLESS OTHERWISE SPECIFIED



4 CIRCUIT PCB LAYOUT: COMPONENT SIDE
 RECOMMENDED PCB THICKNESS: 1.57 mm
 TOLERANCE ±0.076 UNLESS OTHERWISE SPECIFIED



- NOTES:
- 1) DIMENSIONS MARKED "SEE NOTE 1" REFER TO ASSEMBLIES WITH SHIELDING OPTION INCLUDED
 - 2) DIMENSIONS MARKED "SEE NOTE 2" REFER TO ASSEMBLIES WITH THE LIGHT PIPE OPTION INCLUDED
 - 3) FOR CROSS REFERENCE OF RECOMMENDED LEDS SEE MOLEX WEB SITE.

NUMBER OF PORTS	DIM "B"	DIM "C"
2	28.45	32.51
4	59.94	64.01

FUNCTIONAL SYMBOLS	THIS DRAWING CONTAINS INFORMATION THAT IS PROPRIETARY TO MOLEX ELECTRONIC TECHNOLOGIES, LLC AND SHOULD NOT BE USED WITHOUT WRITTEN PERMISSION		CURRENT REV DESC: MIGRATION.		
	DIMENSION UNITS	SCALE			
$\frac{F}{A} = 0$	mm	1:1			GANGED INVERTED MODJACK ASSEMBLY
$\frac{F}{C} = 0$	GENERAL TOLERANCES (UNLESS SPECIFIED)				
$\frac{F}{P} = 0$	ANGULAR TOL ± 0.5°				PRODUCT CUSTOMER DRAWING
DIVISIONAL SYMBOLS	4 PLACES	±	EC NO: 708533		
	3 PLACES	±	DRWN: FAYEW 2022/05/26		
	2 PLACES	± 0.25	CHK'D: KLANG 2022/06/29		
	1 PLACE	±	APPR: KLANG 2022/06/29		
	0 PLACES	±	INITIAL REVISION:		
	DRAFT WHERE APPLICABLE MUST REMAIN WITHIN DIMENSIONS		DRWN: FAYEW 2022/05/26		DOCUMENT NUMBER
	THIRD ANGLE PROJECTION		APPR: KLANG 2022/06/29		442480001
	DRAWING		SERIES		DOC TYPE
	C-SIZE		44248		PSD
	MATERIAL NUMBER		CUSTOMER		DOC PART
	SEE CHART		GENERAL MARKET		000
	SHEET NUMBER		6 OF 6		REVISION
					C7