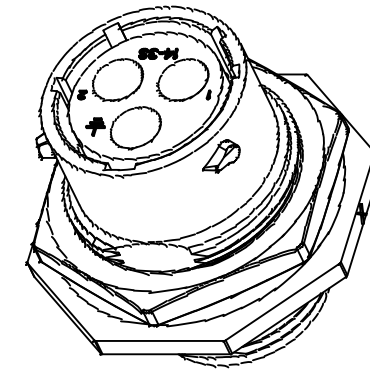
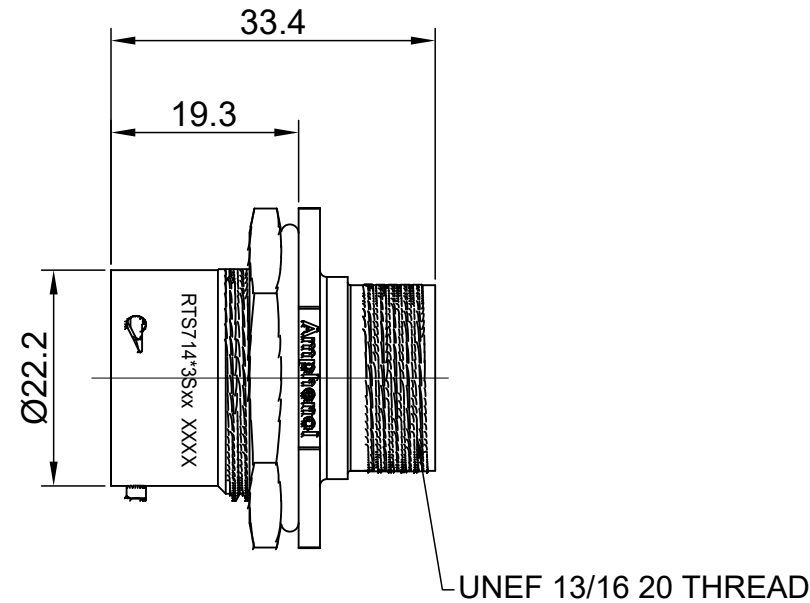
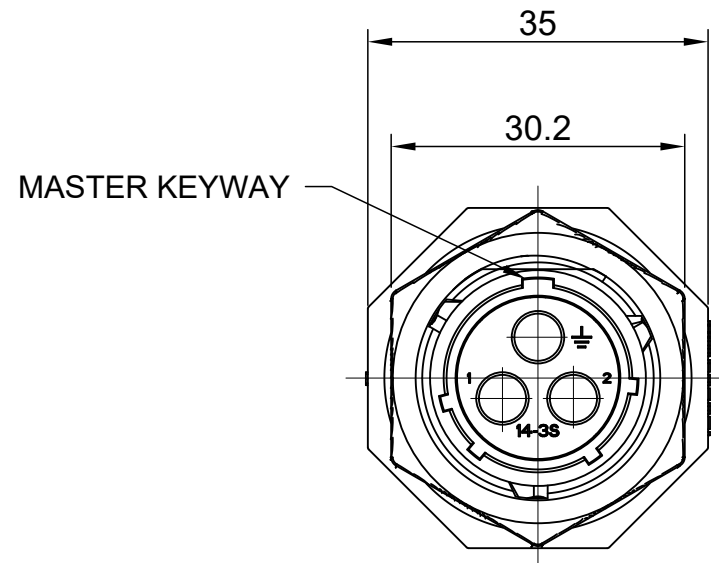
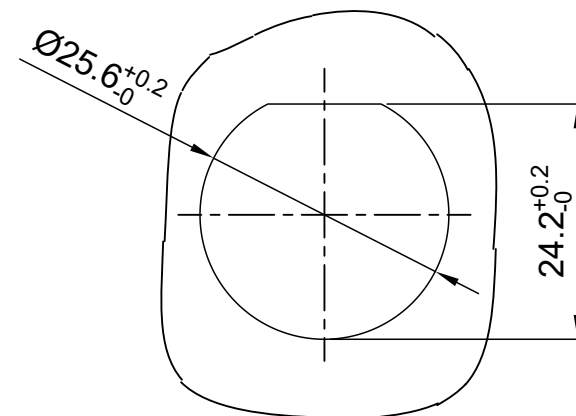


REVISIONS					
REV	ECO	DESCRIPTION	DATE	BY	APPR
A1	--	RELEASED DRAWING	Jun-15-18	White	TOMMY
A2	--	UPDATE NOTES	Oct-18-2018	Blink	Tommy



NOTES: (UNLESS OTHERWISE SPECIFIED)

- MATERIAL:
  - SHELL: THERMOPLASTIC, UL94 V-0.
  - INSERT: THERMOPLASTIC, UL94 V-0.
  - O-RING: NBR OR SILICONE RUBBER.
  - SEAL GASKET: NBR OR SILICONE RUBBER.
  - JAM NUT: ALUMINIUM ALLOY, BLACK ANODIZING.
- SPECIFICATIONS:
  - 2.1 RATED CURRENT: 45A (MAX).
  - 2.2 RATED VOLTAGE: 600V(AC/DC).
  - 2.3 OPERATING TEMPERATURE: SEE TABLE.
  - 2.4 DIELECTRIC WITHSTANDING VOLTAGE: LESS THAN 2 MILLIAMPS CURRENT LEAKAGE@2500 VOLTS AC.
  - 2.5 INSULATION RESISTANCE: 5000 MEGOHMS MIN.
  - 2.6 IP CLASS: IP67 AND IP69K IN THE MATED CONDITION, WIRE SEALS FULLY POPULATED.
  - 2.7 MATING CYCLES DURABILITY: 500 CYCLES MIN.
  - 2.8 RoHS COMPLIANT.
- SUITABLE CONTACTS : 8# CONTACT.



PANEL CUTOUT REFERENCE THICKNESS:3.2MM (MAX)

KEY	PART NUMBER	
	-40°C ~ 105°C	-40°C ~ 125°C
N	RTS714N3S	RTS714N3S03

A2

CONTACT SIZE	CONTACT PN	WIRE RANGE	CORD GRIP
8#	MS10A23x-25	16 - 14AWG	BACK SHELL
	MS10A23x-63	12 - 10AWG	
	MS10A23x-10	8 AWG	
	MS10A23x	12 - 10AWG	END CAP

IN THE CONTACT PN, "x" DENOTE DIFFERENT PLATING.

4. ALL DIMENSIONS ARE FOR REFERENCE USE ONLY.

QUANTITY	PART NUMBER	DESCRIPTION	ITEM
<b>MATERIALS LIST</b>			
UNLESS OTHERWISE SPECIFIED 1) All dimensions are in metric(mm). 2) Tolerances are as follows: 1 PL DEC ±0.30 2 PL DEC ±0.15 3 PL DEC ±0.08 Fractions ±1/64 Angles ±1° 3) Note reference =		<b>Amphenol</b> Sine Systems - www.amphenol-sine.com 44724 Morley Drive Clinton Township, MI 48036	
SIGNATURES DRAWN: Blink CHECKED: Tod ENGINEER: APPROVAL: Tommy		DATE Oct-18-2018 Oct-18-2018 Oct-18-2018	
MATERIAL SPECIFICATIONS:		CUSTOMER: ECO-MATE, RECEPTACLE, JAM NUT, SIZE 14, 3POS, SOCKET	
PROCESS SPECIFICATIONS:		THIS DRAWING IS SUPPLIED FOR INFORMATION ONLY. DESIGN FEATURES, SPECIFICATIONS AND PERFORMANCE DATA SHOWN HEREON ARE THE PROPERTY OF THE AMPHENOL CORPORATION. NO RIGHTS OF REPRODUCTION ARE IMPLIED. ALL DIMENSIONS ARE SUBJECT TO NORMAL MANUFACTURING VARIATIONS.	
NEXT ASSY:		SIZE TYPE <b>B C-</b>	DWG NO: <b>RTS714*3Sxx</b> REVISION <b>A2</b>
		SCALE: NONE	SHEET 1 OF 1

TITLE: ECO-MATE, RECEPTACLE, JAM NUT, SIZE 14, 3POS, SOCKET  
DWG NO: RTS714\*3Sxx  
REV: A2  
SH: 1  
OF: 1