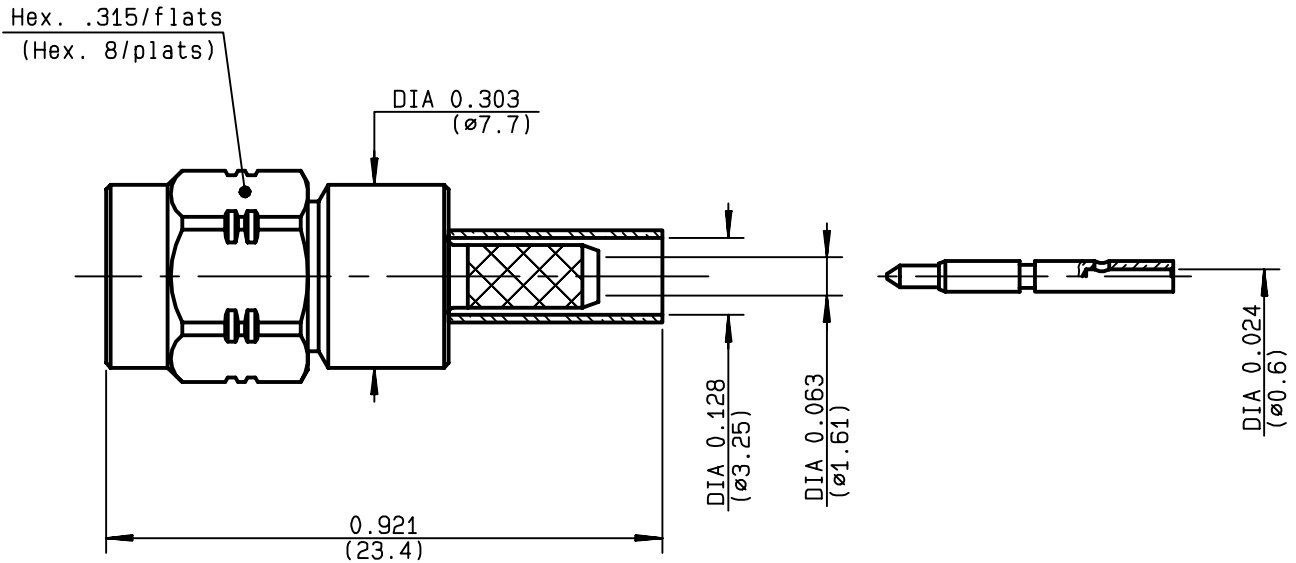


**STRAIGHT PLUG FULL CRIMP-TYPE
CABLE 2.6/50 S**

R124.071.123
SERIES SMA-COM



NOMINAL IMPEDANCE	50 Ω	CABLES : KX 22A
FREQUENCY RANGE	0-12.4 GHz	RG 188
TEMPERATURE RATING	-65/+165 °C	RG 316
V.S.W.R	1.15 + .02 x F(GHz)Maxi	
RF INSERTION LOSS	0.05 √F(GHz) dB Maxi	
VOLTAGE RATING	250 Veff Maxi	
DIELECTRIC WITHSTANDING VOLTAGE	750 Veff Mini	
INSULATION RESISTANCE	5000 MΩMini	OTHERS CHARACTERISTICS
HERMETIC SEAL	NA Atm.cm ³ /s	CABLE RETENTION 90 N Mini
LEAKAGE (pressurized only)	NA	CENTER CONTACT RETENTION
MECHANICAL DURABILITY	100 Cycles	Axial force - mating end 18 N Mini
WEIGHT	4.4 gr	Axial force - opposite end 18 N Mini
SPECIFICATION		Torque NA cm.N Mini
		RECOMMENDED TORQUES
		Mating 60 cm.N
		Panel nut NA cm.N
		Clamp nut NA cm.N

CONNECTOR PARTS	MATERIALS	FINISH (all values are given in micrometers)
BODY	BRASS	GOLD 0.2 OVER NICKEL 2
OUTER CONTACT		
CENTER CONTACT	BRASS	GOLD 1.3 OVER COPPER 2.5
INSULATOR	PTFE	-
GASKET		-
OTHERS PIECES	BRASS	GOLD 0.2 OVER NICKEL 2

ISSUE	CREATION DATE	FILE PART-NUMBER
9847B00	20/05/1996	96-1000-050



TRIQUES

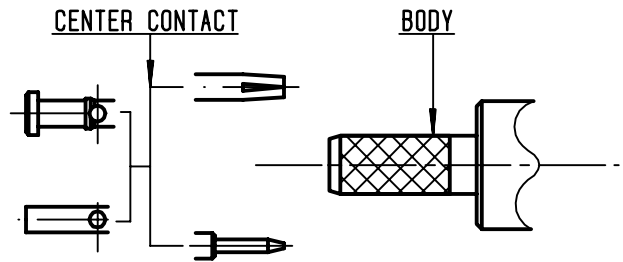
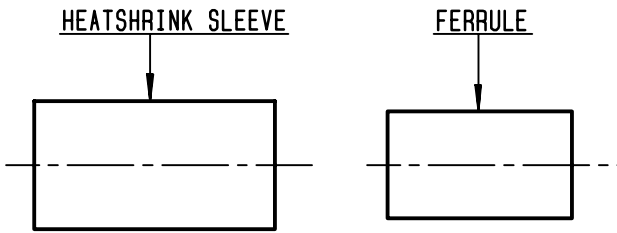
The information given here is subject to change without notice.
Design changes may be in order to improve the product .

Connect to the future



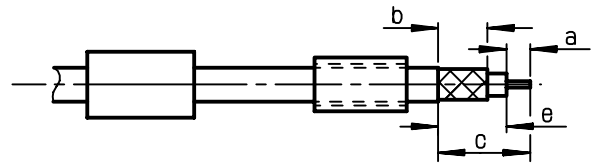
R124.071.123

ISSUE 9847B00 SERIES SMA-COM



①

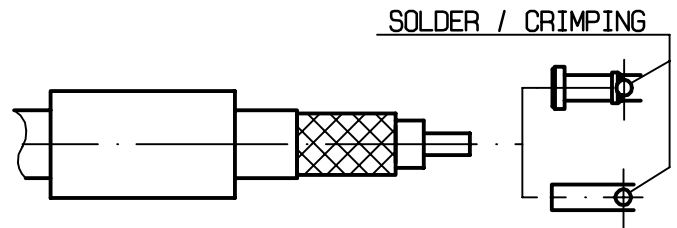
Slide heatshrink sleeve (R280.637.020 - Option) and ferrule onto cable .
Strip the cable .



Stripping	a	b	c	d	e
inch	0.118	0.248	0.425	0	0.307
mm	3	6.3	10.8		7.8

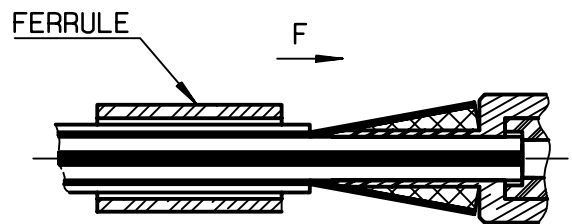
②

Slide center contact on until it bottoms against cable dielectric .
Solder or crimp center contact .
Crimping tool : R282.281.000 (2 x 4 pts) position 5
+ positionner R282.967.012.
-



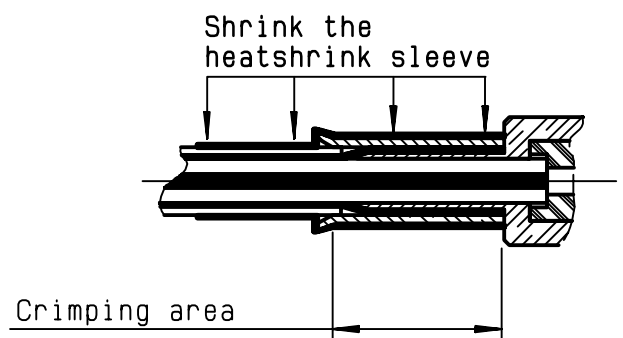
③

Fan the braid .
Slide cable into the body by overtaking the insulator hard mounting point .
Slide ferrule over the braid .
(In direction F)



④

Crimp the ferrule with crimping tool R282.271.000 (Hex. : .128)(3.25) or crimping tool R282.293.000 (M22520/5-01) + dies R282.235.003 (M22520/5-03)
Cut excess of braid if necessary .
Slide sleeve over ferrule and heatshrink in place (Option)
-
-



TRIQUES