



OS-IN-2020-021

**Optimization of Carrier Tape and
Harmonization of Datasheet
for Lx T64G (x=B,T,V)
Customer information package**

OS QM CQM ICI | 2020-07-15

Light is OSRAM

OS-IN-2020-021

Overview



	Page
1. Reason for change	3
2. Description of change	4
3. Changes in the datasheets	5
4. Time schedule	6

OS-IN-2020-021

Optimization of Carrier Tape for Lx T64G (x=B,T,V)



Reason for change

Reduction of pocket depth to improve position stability of device in tape.

Harmonization of datasheet.

Description of change

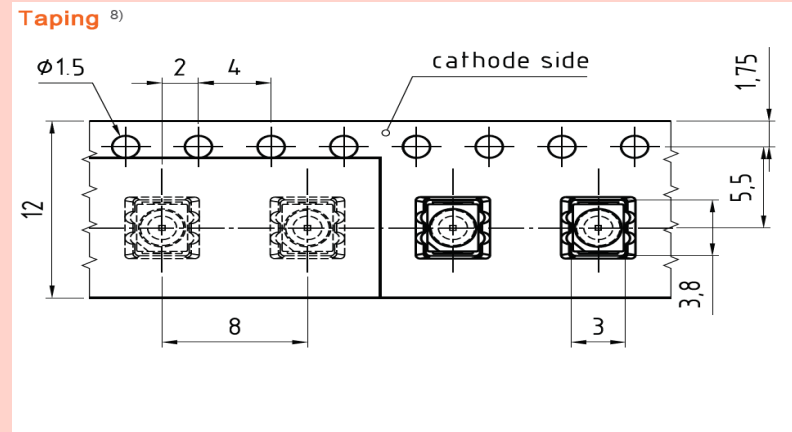
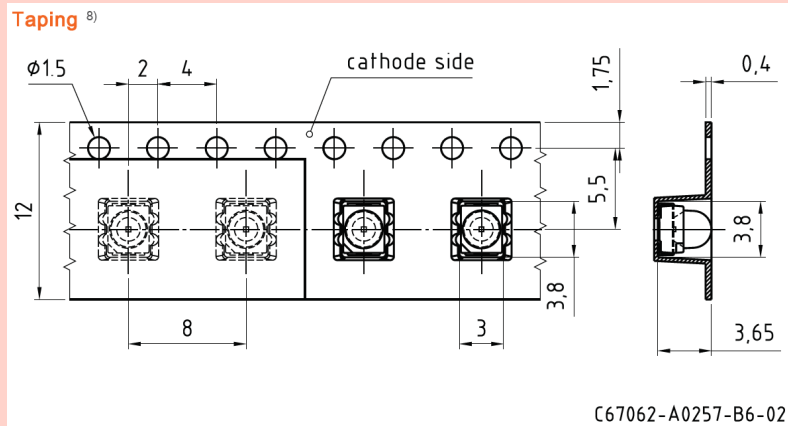
The pocket depth will be reduced from 3,65mm to 3,50mm to reflect the change of the LED height, which was introduced with OS-PCN-2018-030-A.

For harmonization of the datasheets of TOPLED Black family the pocket depth will be removed from the drawings.

Changes in the datasheets

Current status

New status



Time schedule

- Samples 17.08.2020
- Production release 20.07.2020
- Start of delivery 17.08.2020 *)

*) needs to be aligned with customer

QUALITY
FIRST

Thank you.

Light is OSRAM

15.07.2020

OS-IN-2020-021

Optimization of Carrier Tape and Harmonization of Datasheet for Lx T64G (x=B,T,V)

Objective	Optimization of Carrier Tape and Harmonization of Datasheet for Lx T64G (x=B,T,V)
Products affected	LB T64G ; LT T64G; LV T64G
Application	<ul style="list-style-type: none">• Traffic Lights• VMS
Background	<ul style="list-style-type: none">• Reduction of pocket depth to improve position stability of device in tape.• Harmonization of datasheet.
Time Schedule	Start of delivery CW34, 2020
Assessment	No change in fit, form, function and reliability of affected products

Please direct your inquiry to your local Sales office.

OSRAM Opto Semiconductors
GmbH

Head Office:

Leibnizstrasse 4
93055 Regensburg, Germany
Phone +49 941 850-5
Fax +49 941 850-1002
www.osram-os.com

Products Affected by Information Notification

Number: OS-IN-2020-021

Name: Optimization of Carrier Tape and Harmonization of Datasheet for Lx T64G (x=B,T,V)

Release Date: 7/15/2020

Implementation Date: 8/23/2020

<i>Product</i>	<i>QNumber</i>	<i>QNumber Description</i>	<i>Part Number</i>
LB T64G	Q65111A0143	LB T64G-V1CA-59-0-20-R33-Z	LB T64G-V1CA-59-Z
	Q65111A3722	LB T64G-AACA-59-0-20-R33-Z	LB T64G-AACA-59-L-Z
	Q65111A3726	LB T64G-V1CA-78-0-20-R33-Z	LB T64G-V1CA-78
	Q65111A3782	LB T64G-BACA-59-0-20-R33-ZC	LB T64G-BACA-59-ZC
	Q65111A3783	LB T64G-ABBB-59-0-20-R33-Z-XX	LB T64G-ABBB-59-XX
	Q65111A4101	LB T64G-BACA-58-0-20-R33-ZC	LB T64G-BACA-58-ZC
	Q65111A4300	LB T64G-ABBB-68-0-20-R33-Z	LB T64G-ABBB-68
	Q65111A7070	LB T64G-BABB-79-0-20-R33-SIE	LB T64G-BABB-79-L-SIE
	Q65112A0941	LB T64G-BACA-59-0-20-L-ZO	LB T64G-BACA-59-L-ZO
	LT T64G	Q65111A0144	LT T64G-DAFA-29-0-20-R33-Z
Q65111A3720		LT T64G-DBFA-29-0-20-R33-Z	LT T64G-DBFA-29-L-Z
Q65111A3785		LT T64G-DBEA-29-0-20-R33-Z-XX	LT T64G-DBEA-29-XX
Q65111A3787		LT T64G-DBEB-29-0-20-R33-ZC	LT T64G-DBEB-29-ZC
Q65111A4299		LT T64G-DBFA-47-0-20-R33-Z	LT T64G-DBFA-47
Q65111A7018		LT T64G-DBFA-47-0-20-R33-ZC	LT T64G-DBFA-47-R33-ZC
Q65112A0943		LT T64G-DBFA-47-0-20-L-ZO	LT T64G-DBFA-47-L-ZO
LV T64G	Q65111A2028	LV T64G-BBEA-25-0-20-R33-Z	LV T64G-BBEA-25-Z
	Q65111A3399	LV T64G-DAEA-25-0-20-R33-Z	LV T64G-DAEA-25
	Q65111A3725	LV T64G-CBEA-5-1-20-R33-Z-XX	LV T64G-CBEA-5-1-XX
	Q65111A5336	LV T64G-CBEA-4-1-20-R33-Z-XX	LV T64G-CBEA-4-XX
	Q65111A6139	LV T64G-CBDA-34-1-20-R33-Z-SIE	LV T64G-CBDA-34-1-L-SIE
	Q65111A6294	LV T64G-DAEA-25-1-20-R33-Z	LV T64G-DAEA-25-1
	Q65111A6295	LV T64G-CBEA-25-1-20-R33-Z	LV T64G-CBEA-25-1
	Q65111A6734	LV T64G-DADB-35-86E6-20-R33-Z	LV T64G-DADB-Z
	Q65111A8336	LV T64G-DADB-25-2686-20-R33-Z	LV T64G-DADB-25-R33-Z