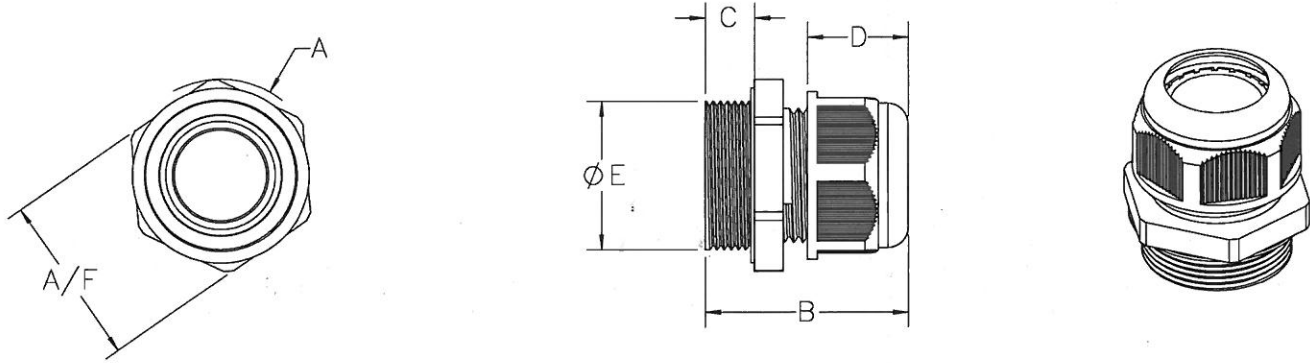


PART NAME: NPT Cable Glands SCALE: 1:1 DATE: 12/3/18 DR. BY: JAM



P/N: Cable Gland

THIS DRAWING IS THE PROPERTY OF DAVIES MOLDING COMPANY, IS SUBMITTED SOLELY AS A DESIGN OR ENGINEERING PROJECT WE ACCEPT NO RESPONSIBILITY WHATSOEVER FOR THE PRACTICAL APPLICATION OF THE PIECES MADE TO THIS DESIGN.



NPT Thread Cable Gland									
Part #	Threading Type	Cable Range (in mm)	A/F	ØA	B		C	D	ØE
					Min.	Max.			
GC3000-D	NPT 1/2"	7-12	24	27.00	40.00	44.00	14.00	17.50	1/2" NPT
GC3000-G	NPT 3/4"	14-18	36	40.00	42.00	45.00	14.00	21.00	3/4" NPT

MATERIAL: NYLON 6
 COLOR: BLACK