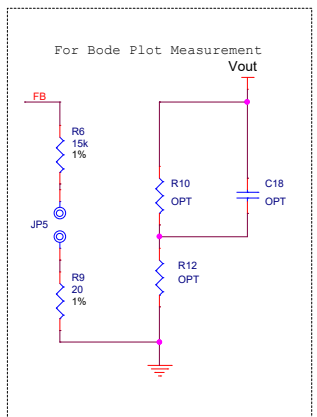
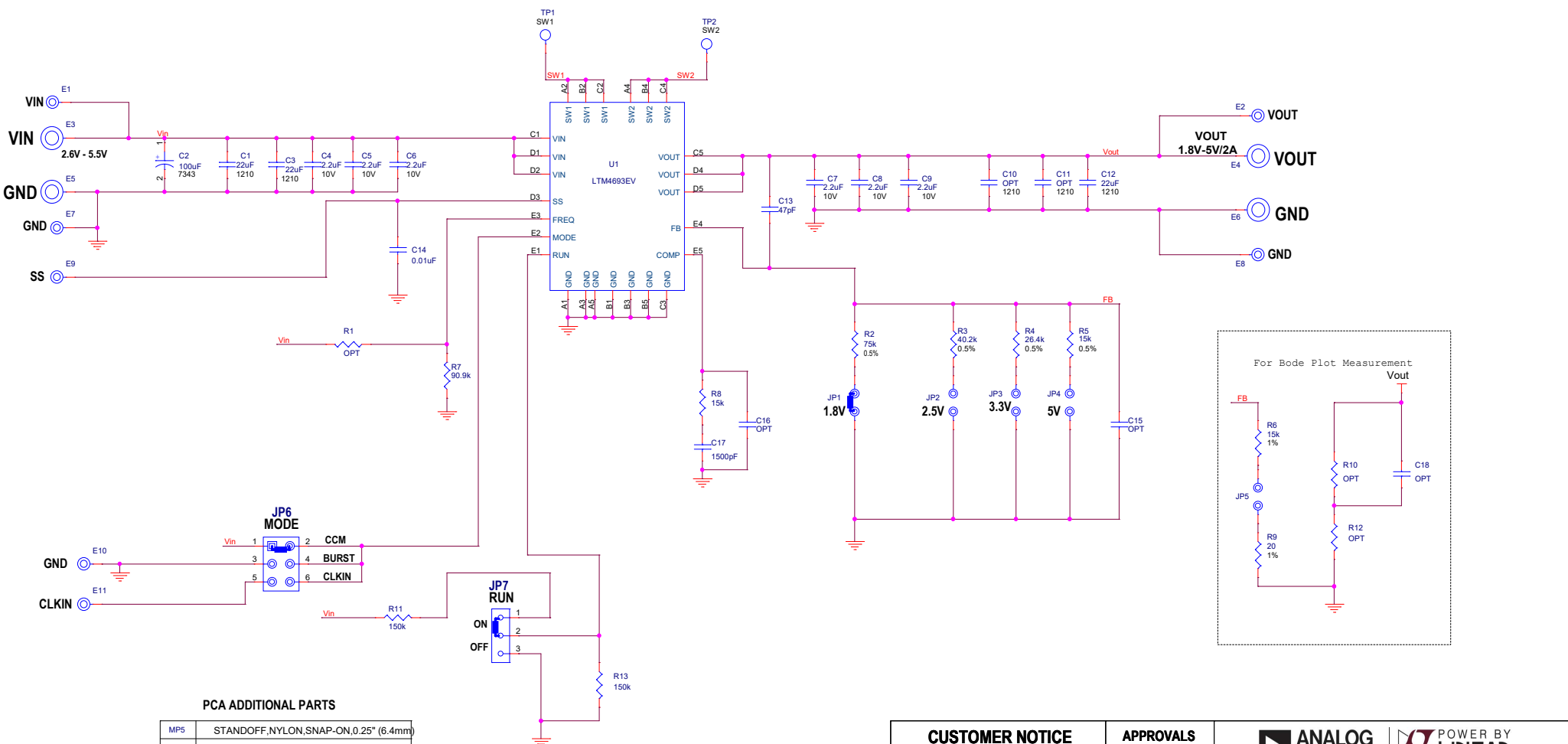


REVISION HISTORY				
ECO	REV	DESCRIPTION	APPROVED	DATE
	2	PROD	Ling J.	01-15-21



PCA ADDITIONAL PARTS

MP5	STANDOFF,NYLON,SNAP-ON,0.25" (6.4mm)
MP6	STANDOFF,NYLON,SNAP-ON,0.25" (6.4mm)
MP7	STANDOFF,NYLON,SNAP-ON,0.25" (6.4mm)
MP8	STANDOFF,NYLON,SNAP-ON,0.25" (6.4mm)
LB1	BOARD S/N LABEL 895-0154
PCB1	PCB_DC3016A REV02
STNCL1	TOOL, STENCIL, 700-DC3016A REV01

CUSTOMER NOTICE
 ANALOG DEVICES HAS MADE A BEST EFFORT TO DESIGN A CIRCUIT THAT MEETS CUSTOMER-SUPPLIED SPECIFICATIONS; HOWEVER, IT REMAINS THE CUSTOMER'S RESPONSIBILITY TO VERIFY PROPER AND RELIABLE OPERATION IN THE ACTUAL APPLICATION. COMPONENT SUBSTITUTION AND PRINTED CIRCUIT BOARD LAYOUT MAY SIGNIFICANTLY AFFECT CIRCUIT PERFORMANCE OR RELIABILITY. CONTACT ANALOG DEVICES APPLICATIONS ENGINEERING FOR ASSISTANCE.

APPROVALS

PCB DES.	HZ
APP ENG.	Ling J.

THIS CIRCUIT IS PROPRIETARY TO ANALOG DEVICES AND SUPPLIED FOR USE WITH ANALOG DEVICES PARTS.

ANALOG DEVICES | **POWER BY LINEAR**
 www.analog.com | Phone: (408)432-1900

TITLE: SCHEMATIC
2A BUCK-BOOST POWER uMODULE REGULATOR

IC NO.	LTM4693EV	SCHEMATIC NO. AND REVISION:	
SKU NO.	DC3016A		710-DC3016A_REV02
SIZE:	N/A	DATE:	01-15-21

SHEET 1 OF 1