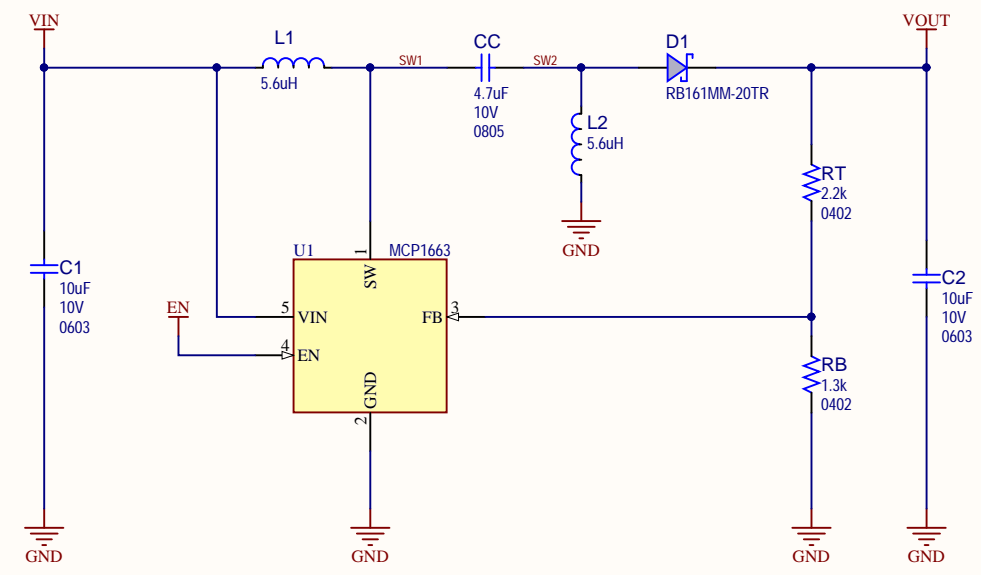




REV	ECO #	DESCRIPTION	DATE



Drawn By: Elisa Goicea	
Engineer: Elisa Goicea	
PartNumber: ADM01014	Project Title MCP1663 3.3V 300mA SEPIC DDPAK
Sheet Title MCP1663 SEPIC DDPAK	
Size B	Sch #03-10931 Date: 2/4/2019 9:07:37 AM Revision: 1.1 Sheet 1 of 1
File: MCP1663_MiniModule_Sepic_DDPAK.SchDoc	


 Altium.com