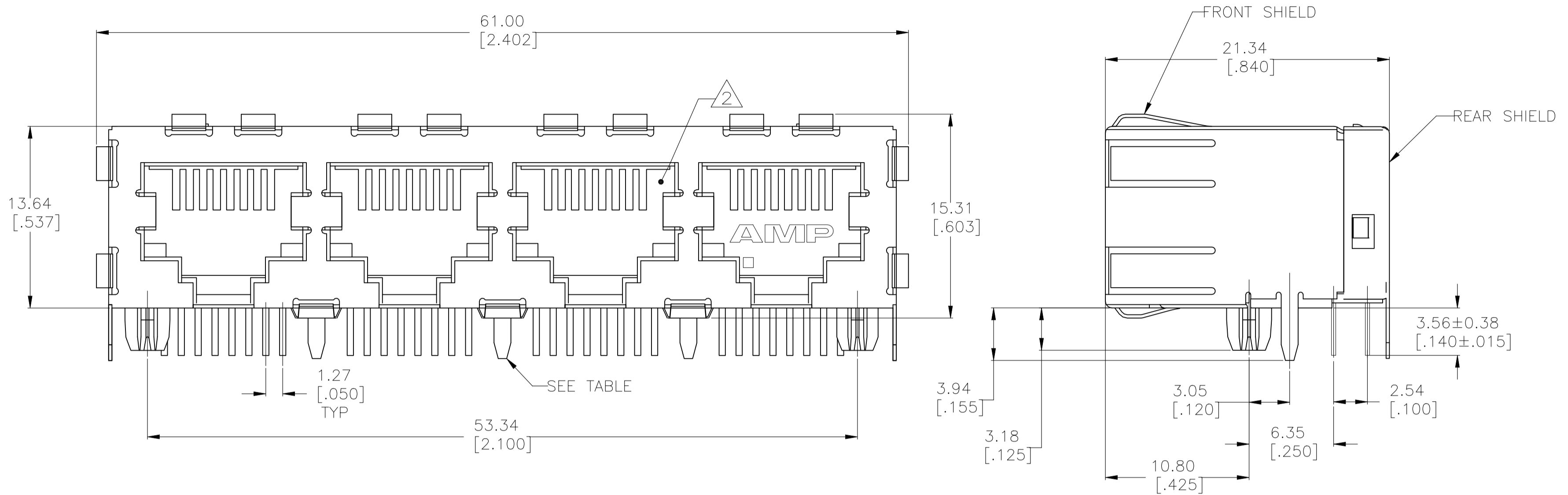
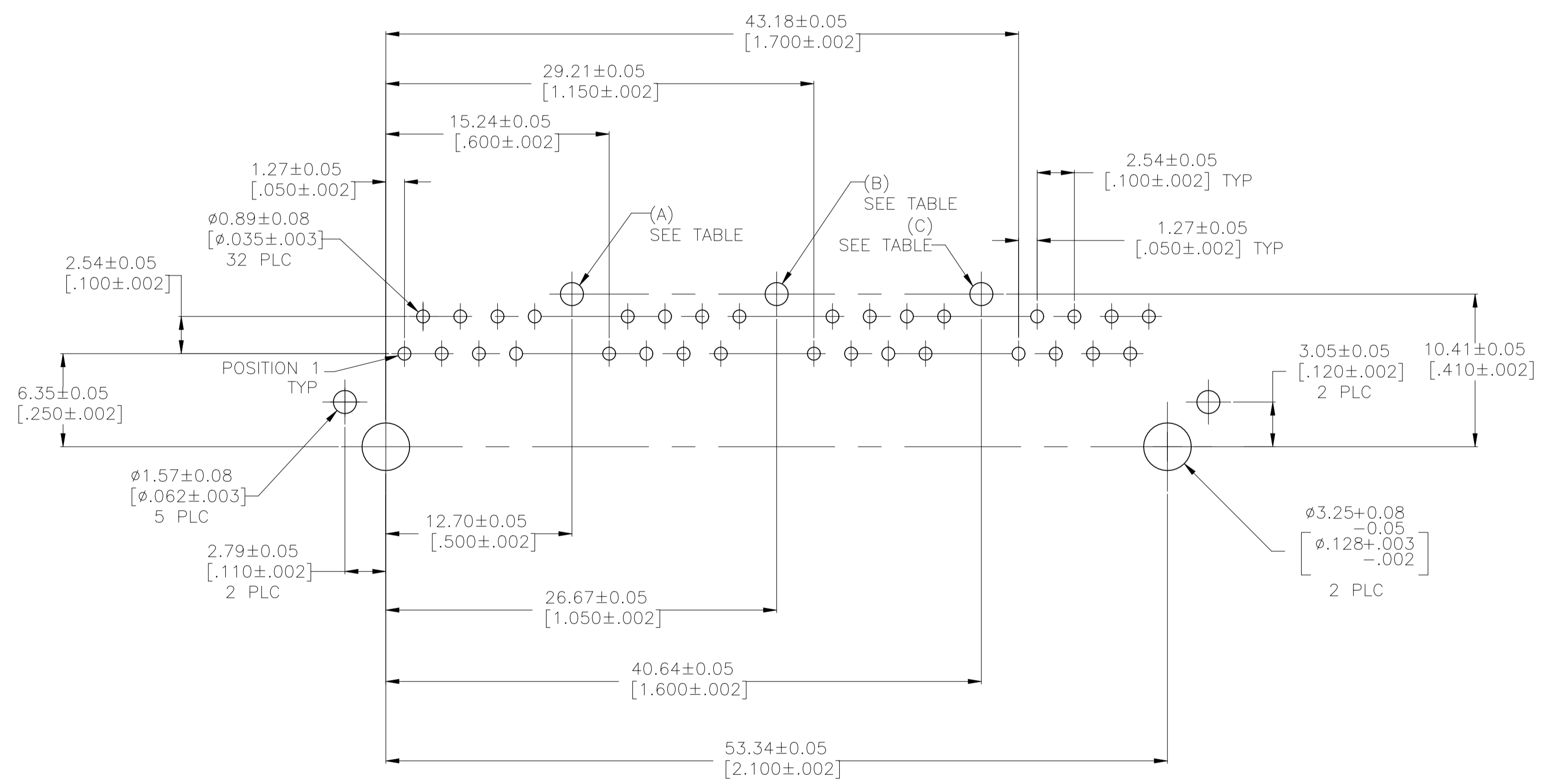


REVISIONS					
REV	DATE	DESCRIPTION	BY	CHK	APPV
C3	13DEC2020	ECR-19-014657	RR	SZ	



- MATERIAL: HOUSING - NYLON, COLOR: BLACK, UL 94V-0. OVERMOLDED TERMINAL ARRAY - PBT, BROWN. TERMINALS - 0.33[.013] THICK PHOS BRONZE PLATED WITH 1.27μm[.000050] MINIMUM HARD GOLD IN LOCALIZED AREA AND 3.81μm[.000150] MINIMUM TIN IN SOLDER AREA OVER 1.27μm[.000050] MINIMUM NICKEL UNDERPLATE. SHIELD - 0.254[.010] THICK COPPER ALLOY PLATED WITH 1.27μm[.000050] MINIMUM NICKEL AND 2.03μm[.000080] MINIMUM HOT TIN DIP ON PCB GROUND TABS.

- ⚠ JACK CAVITY CONFORMS TO FCC RULES AND REGULATIONS, PART 68 SUBPART F.
- ⚠ OBSOLETE PARTS: OBSOLETE CIS STREAMLINING PER D.RENAUD/D.SINISI



RECOMMENDED PC BOARD LAYOUT
COMPONENT SIDE

(A)	(B)	(C)	ALL THREE	5406281-3
(B)	(1)	MIDDLE	-	5406281-2
NONE	NONE	NONE	-	5406281-1
HOLES USED			NO. OF REAR TABS	PART NO.

THIS DRAWING IS A CONTROLLED DOCUMENT.

DIMENSIONS: mm [INCHES]	TOLERANCES UNLESS OTHERWISE SPECIFIED:	DIN 1702T2007 J.ALCORTA/LA.MAYER	TE Connectivity
0 PLC ± -	1 PLC ± -	1702T2007 J.WESTMAN	NAME
2 PLC ± -	3 PLC ± -	1702T2007 S.FLICKINGER	PRODUCT SPEC
4 PLC ± -	ANGLES ± -	1702T2007	NAME
SEE NOTE 1	SEE NOTE 1	108-1163-2	MODULAR JACK, 4 PORT, 8 P, SHIELDED, REVERSE PANEL GROUND TABS, CATEGORY 5e
		114-2048	SIZE
		0.000000	WEIGHT
		A1 00779	CAGE CODE
		5406281	DRAWING NO
		CUSTOMER DRAWING	RESTRICTED TO
		SCALE 4:1	SHEET 1 of 1
			REV C3