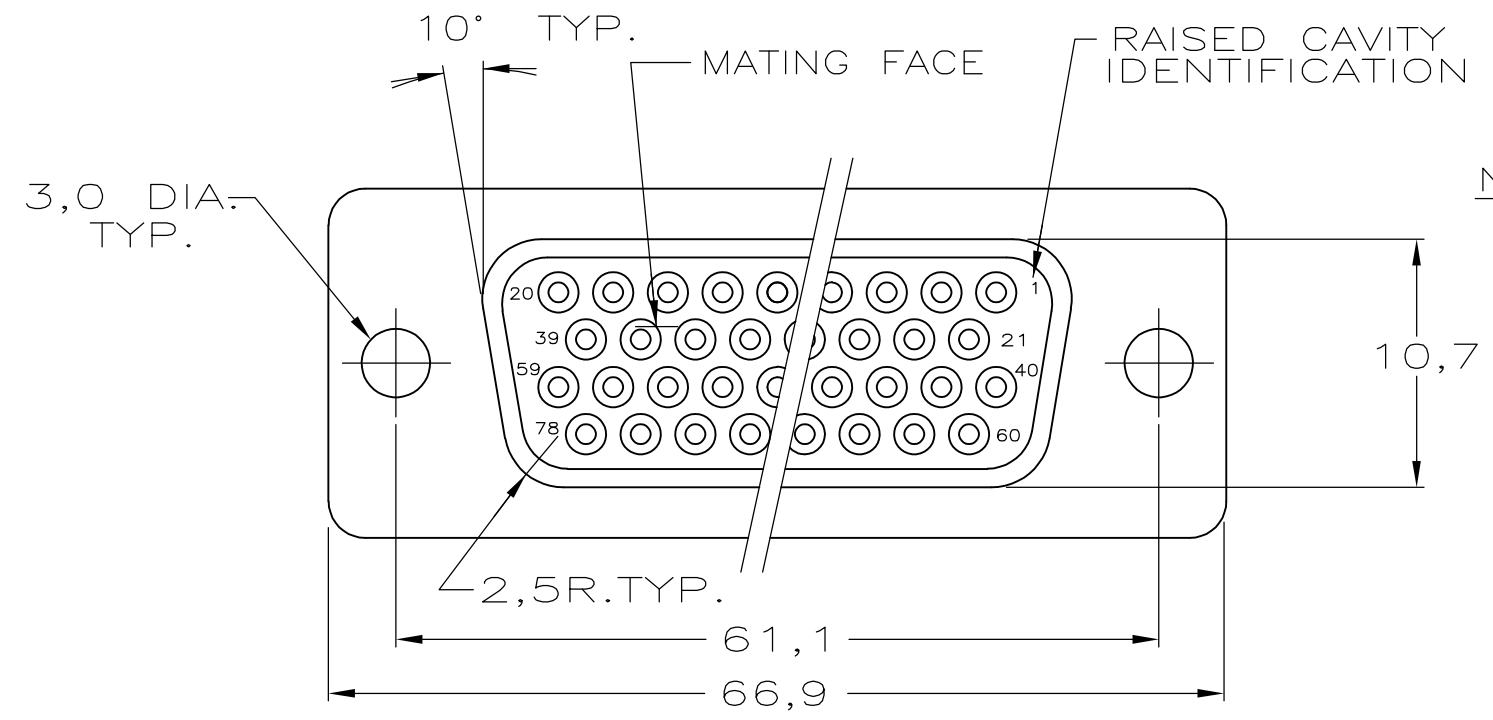
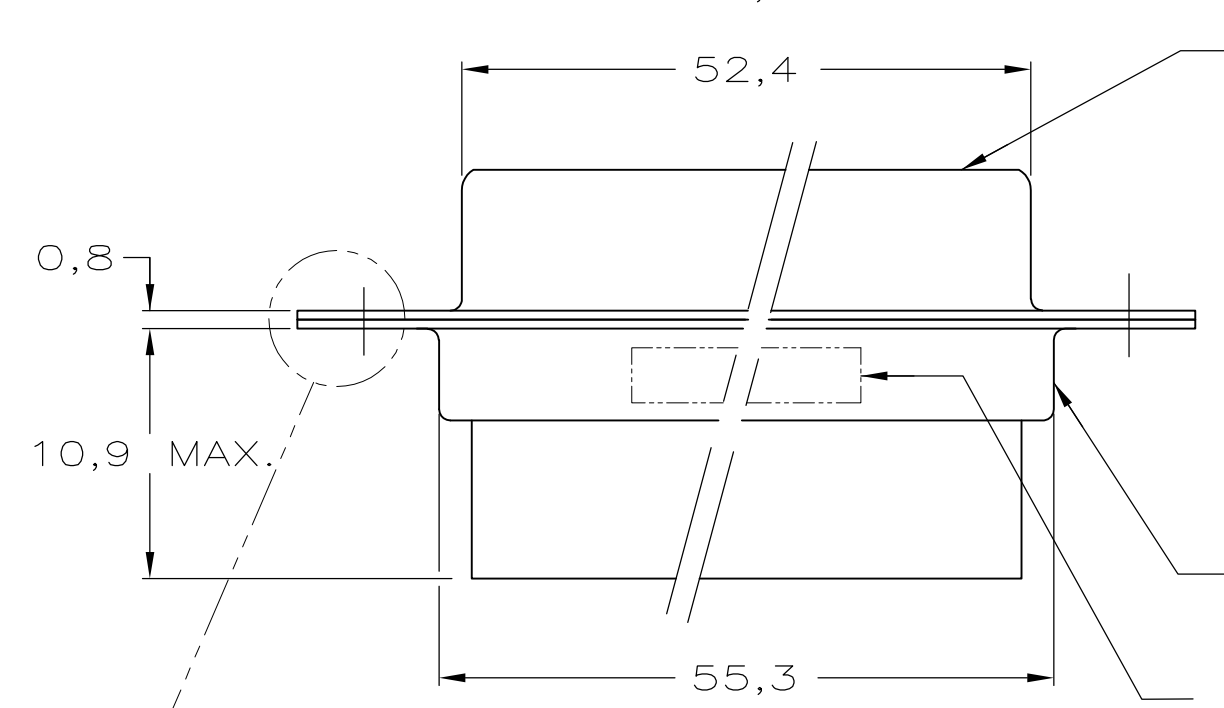


THIS DRAWING IS UNPUBLISHED. RELEASED FOR PUBLICATION  
 © COPYRIGHT - By - ALL RIGHTS RESERVED.

LOC		DIST		REVISIONS			
P	LTR	DESCRIPTION		DATE	DWN	APVD	
	A	REVISED PER ECO-13-020294		13MAR2014	AP	DG	



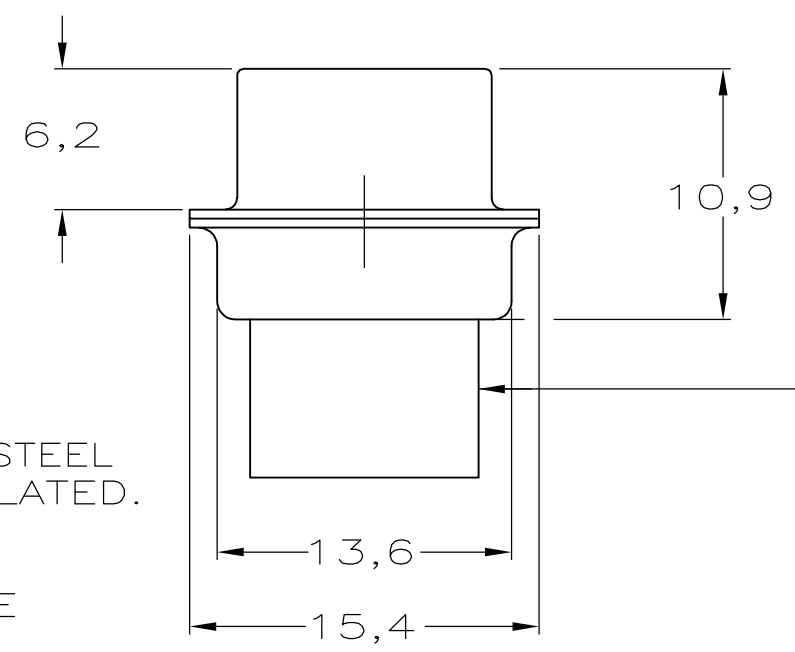
NOTES: 1 THIS RECEPTACLE ACCEPTS SIZE 22 REC. CONTACTS.  
 2 RETENTION TINES ARE AN INTEGRAL PART OF INSERT.  
 3 CONTACT INSERTION/REMOVAL TOOL TE P.N. 91285-1 IS RECOMMENDED FOR USE WITH THESE CONNECTORS:



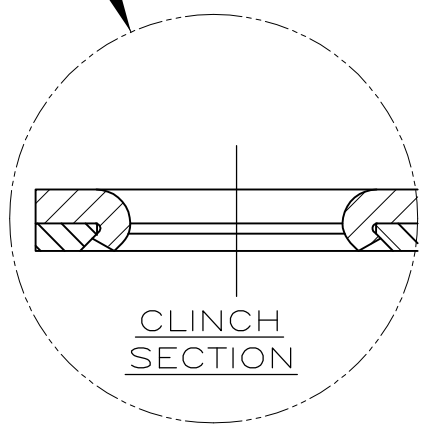
FRONT SHELL  
STEEL, BRIGHT TIN PLATED.

REAR SHELL, STEEL  
BRIGHT TIN PLATED.

AMP DATE CODE  
AMP PARTNO.  
INK STAMPED



INSERTS: NYLON  
GLASS-FILLED  
SELF-EXTINGUISHING  
COLOR: BLACK



SEE DRAWING	SEE DRAWING	216168-1
FINISH	MATERIAL	PART NUMBER

THIS DRAWING IS A CONTROLLED DOCUMENT.		DWN J.V.D.HEIJDEN.	07DEC1988	<b>STE</b> TE Connectivity			
DIMENSIONS: mm		CHK -	APVD -			NAME	
TOLERANCES UNLESS OTHERWISE SPECIFIED:		PRODUCT SPEC -		HDP-22 REC. CONNECTOR, SIZE 5, (78 POSITION)			
0 PLC ± -		APPLICATION SPEC -					
1 PLC ± -		-		SIZE	CAGE CODE	DRAWING NO	RESTRICTED TO
2 PLC ± -		-		A3	00779	C-216168	-
3 PLC ± -		-		CUSTOMER DRAWING			
4 PLC ± -		-		SCALE	SHEET	REV	
ANGLES ± -		-		-	1 OF 1	A	
FINISH		-					