

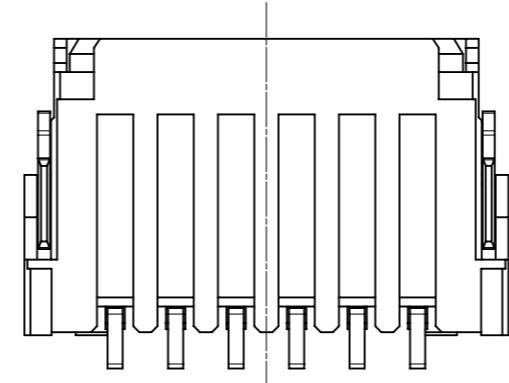
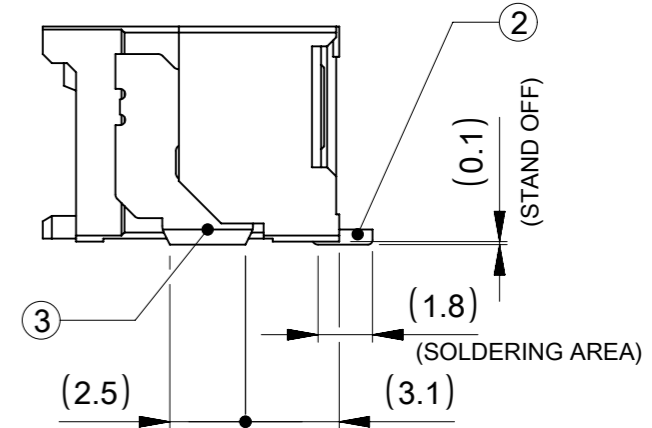
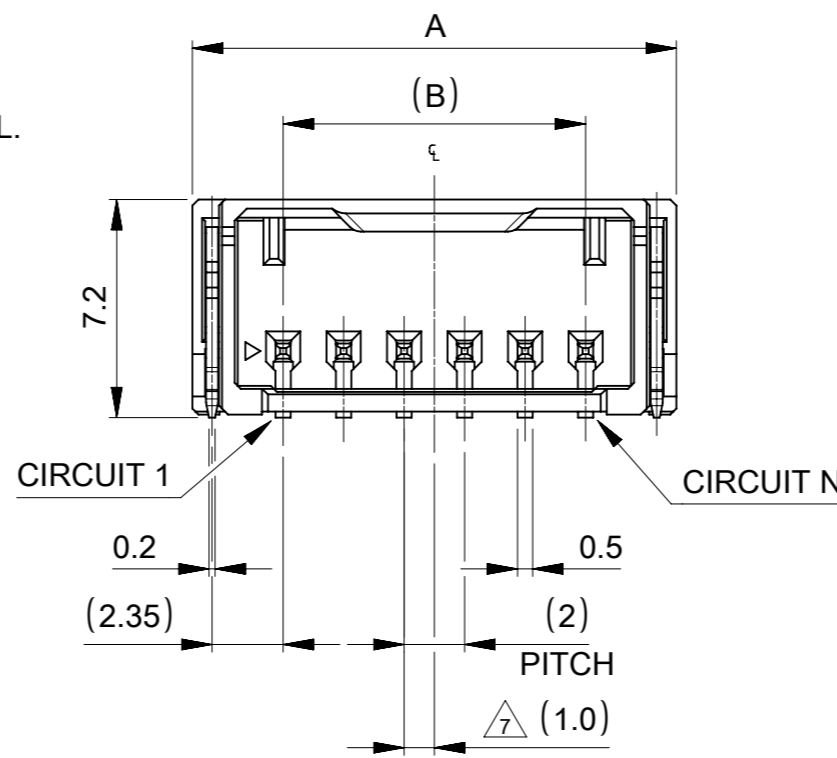
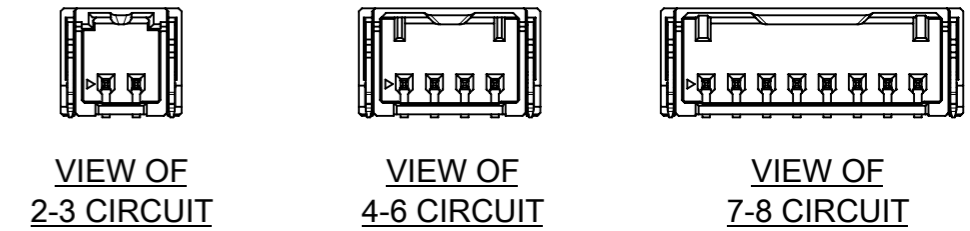
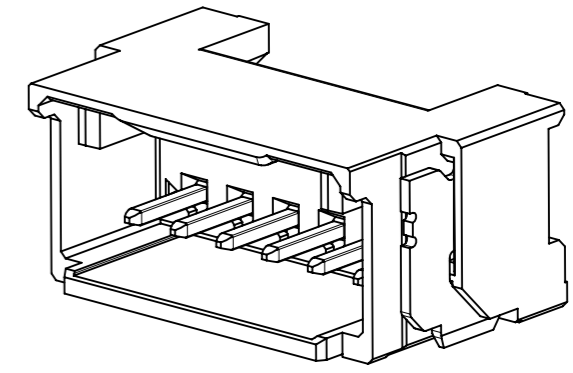
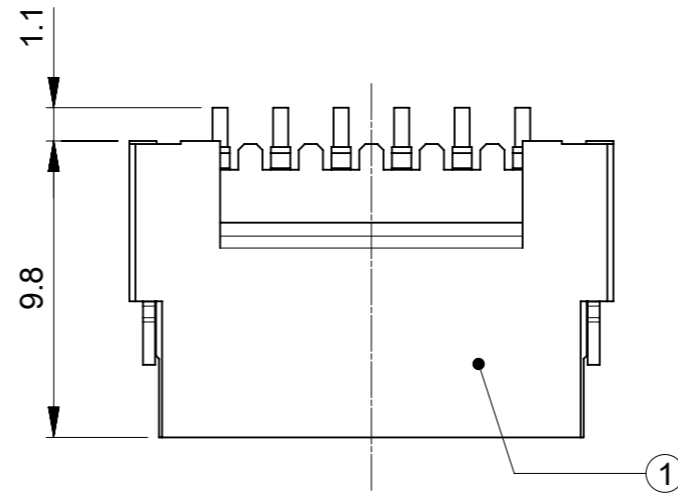
NOTES

- ① 材料及び仕上げ(めっき仕様) : TABLE 1 参照
MATERIAL AND FINISHES : SEE TABLE 1
- 2. 製品仕様書 : 2059790000-PS 000
PRODUCT SPECIFICATION:2059790000-PS 000
- 3. 梱包形態 : SHEET 4 参照
PACKAGING INFORMATION : SEE SHEET 4
- ④ 嵌合相手 : 205979(ISLタイプ),212724(TPAタイプ) シリーズ
MATES WITH:205979(ISL TYPE),212724(TPA TYPE) SERIES
- 5. アプリケーション仕様書(コネクタ取扱い説明書) :
2059790000-AS 000
APPLICATION SPECIFICATION(CONNECTOR MANUAL) :
2059790000-AS 000
- 6. 端子テール部及びネイルの平坦度:0.1mm 以下.
TAIL AND NAIL COPLANARITY TO BE 0.1mm MAX
- ⑦ 極数/2 = 偶数に適合
APPLY FOR CIRCUIT SIZE / 2 =EVEN
- 8. 端子テール部及びネイルに錫ビスマスめっきを使用している為、
外観に摺動痕が付く場合があります。
THE WOUND OF FRICTION MIGHT ADHERE TO EXTERNALS
BECAUSE THE TIN BISMUTH PLATING IS USED FOR THE TAIL AND NAIL.
- 9. 本製品のプラスチック部に黒点・白点等が確認される場合や
色合いが異なる場合がありますが、製品性能に影響はありません。
THERE IS NO INFLUENCE IN THE PRODUCT
PERFORMANCE THOUGH THE BLACK AND WHITE SPOT ETC.
MIGHT BE CONFIRMED TO THE PLASTIC PART OF
THIS PRODUCT AND THE SHADE MIGHT BE DIFFERENT.
- ⑩ ISLタイプを嵌合する場合、ヘッダーコネクタは基板端面から
1.0mm以下の位置に実装すること。
WHEN MATING THE ISL TYPE, HEADER CONNECTOR OUTLINE
MUST BE MOUNTED 1.0mm MAX FROM THE PCB EDGE.

① TABLE 1

番号 No.	部品 PART	材質 MATERIAL
①	ハウジング HOUSING	ポリアミド(PA),UL94V-0, 色 : SEE CHART POLYAMIDE(PA), UL94V-0, COLOR : SEE CHART
②	ターミナル TERMINAL	黄銅 BRASS
		錫ビスマスめっき : 1.0micro-meter MIN TIN BISMUTH PLATING(TAIL AREA,CONTACT AREA) ニッケルめっき(下地):1.0 micro-meter MIN NICKEL(UNDER PLATING)
③	ネイル NAIL	黄銅 BRASS
		錫めっき : 1.0micro-meter MIN MATTE TIN PLATING ニッケルめっき(下地):1.0 micro-meter MIN NICKEL(UNDER PLATING)

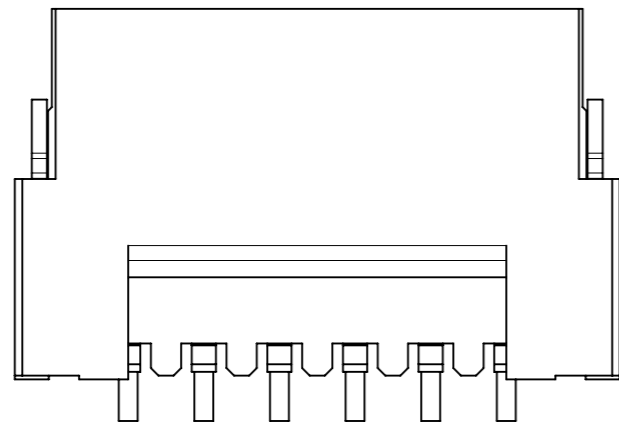
DOCUMENT STATUS P1 RELEASE DATE 2022/07/06 06:59:18



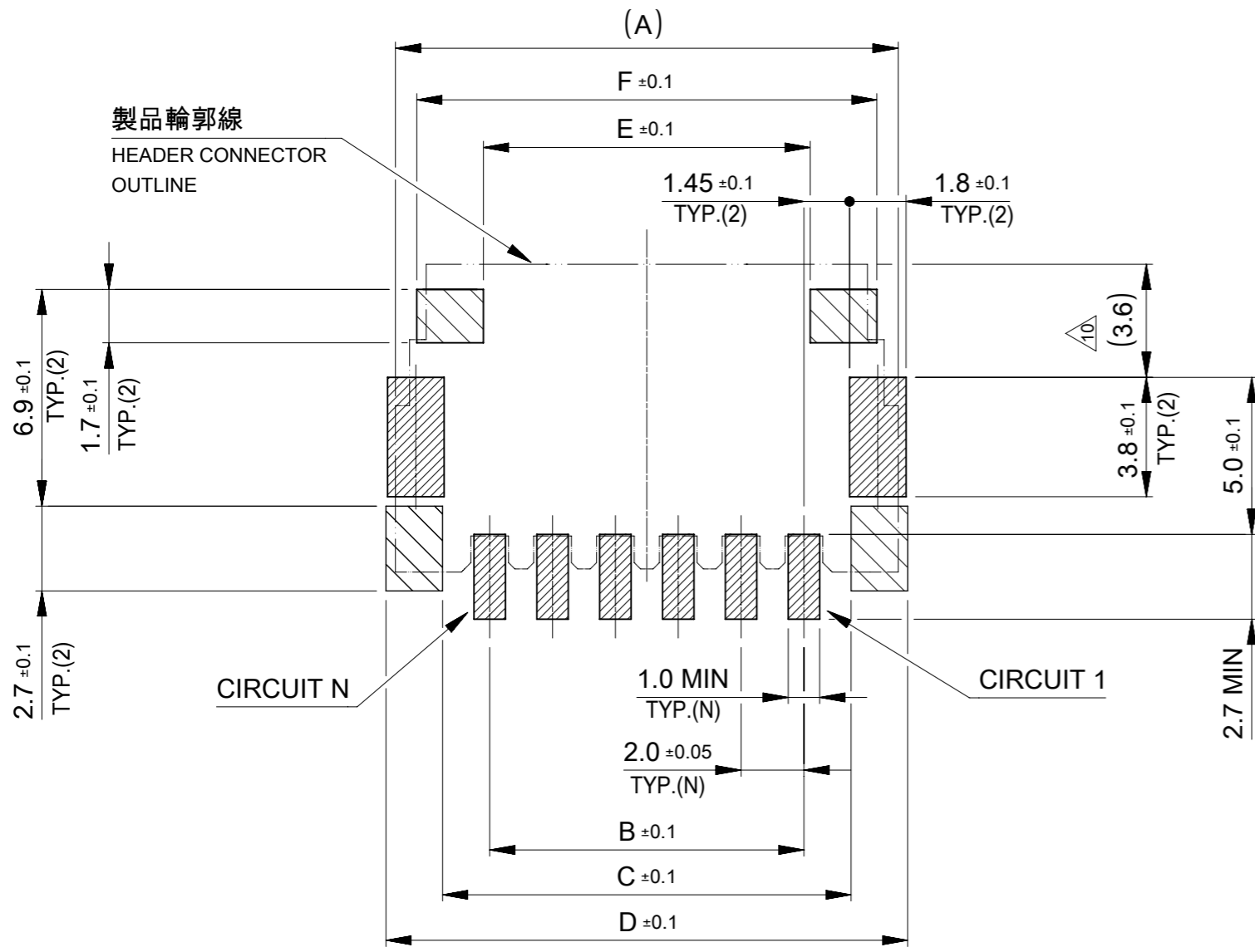
14	20	8
12	18	7
10	16	6
8	14	5
6	12	4
4	10	3
2	8	2
B	A	極数 CIRCUIT SIZE

THIS DRAWING CONTAINS INFORMATION THAT IS PROPRIETARY TO MOLEX ELECTRONIC TECHNOLOGIES, LLC AND SHOULD NOT BE USED WITHOUT WRITTEN PERMISSION

DIMENSION UNITS mm	SCALE NTS	CURRENT REV DESC:		molex		
GENERAL TOLERANCES (UNLESS SPECIFIED)		EC NO: 713005				
ANGULAR TOL ± 3.0 °		DRWN: KYAMADA02		PRODUCT CUSTOMER DRAWING		
4 PLACES ± 0.2		CHK'D: AIDA		DOCUMENT NUMBER		
3 PLACES ± 0.2		APPR: SAKIYAMA		DOC TYPE DOC PART REVISION		
2 PLACES ± 0.2		INITIAL REVISION:		2059720000-SD		
1 PLACE ± 0.2		DRWN: TGREGORI		PSD 000 D		
0 PLACES ± 0.2		APPR: SAKIYAMA		MATERIAL NUMBER CUSTOMER SHEET NUMBER		
DRAFT WHERE APPLICABLE MUST REMAIN WITHIN DIMENSIONS		THIRD ANGLE PROJECTION		DRAWING SERIES		SHEET NUMBER
		A3-SIZE		205972		1 OF 5

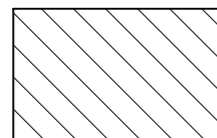


製品レイアウト
PRODUCT LAYOUT

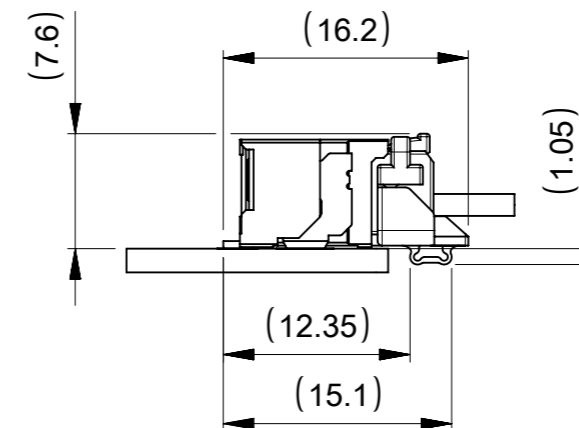
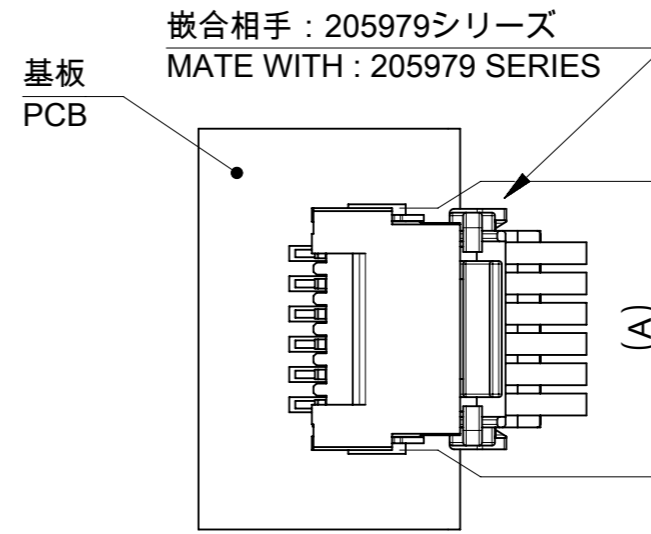


推奨基板レイアウト:実装面側

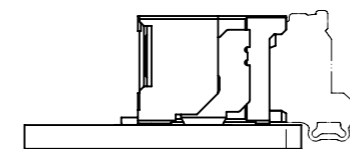
(参考: 基板厚1.6mm, メタルマスク厚0.15mm, マスク開口率100%)
SUGGESTED PCB LAYOUT : COMPONENT SIDE
(REFERENCE: PCB THICKNESS 1.6mm, STENCIL THICKNESS 0.15mm,
APERTURE RATIO 100%)



:パターン禁止エリア
RESTRICTED AREA
NO PCB COMPONENTS ALLOWED

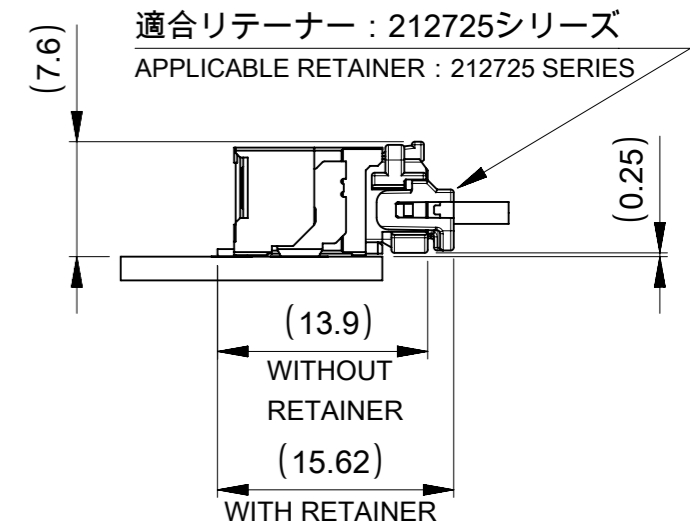
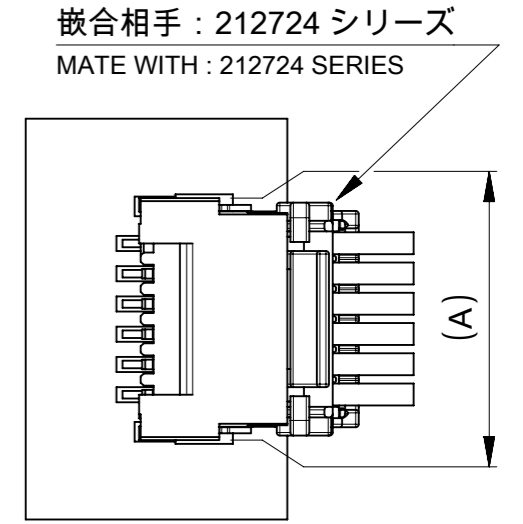


△4 ISLタイプ嵌合図
MATED CONNECTOR OF ISL TYPE



1.0 MAX
HEADER CONNECTOR OUTLINE
FROM THE PCB EDGE.

△10 ISLタイプ基板レイアウトの注意点
PCB LAYOUT PRECAUTIONS FOR ISL TYPE

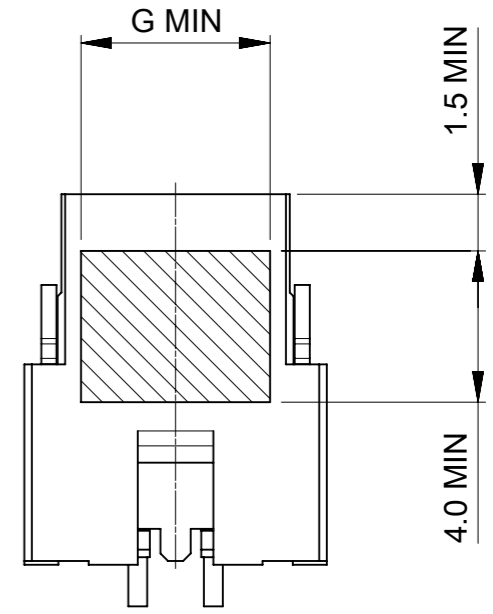
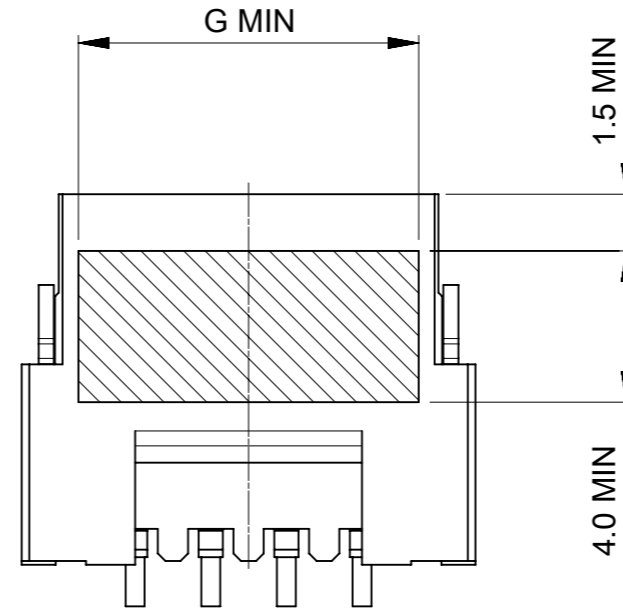
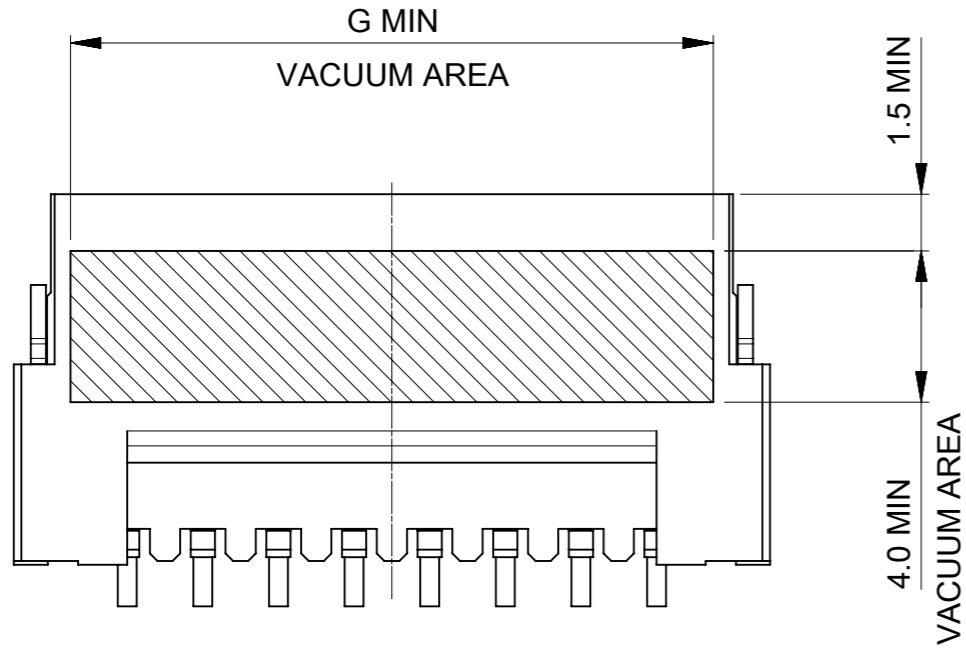


△4 TPAタイプ嵌合図
MATED CONNECTOR OF TPA TYPE

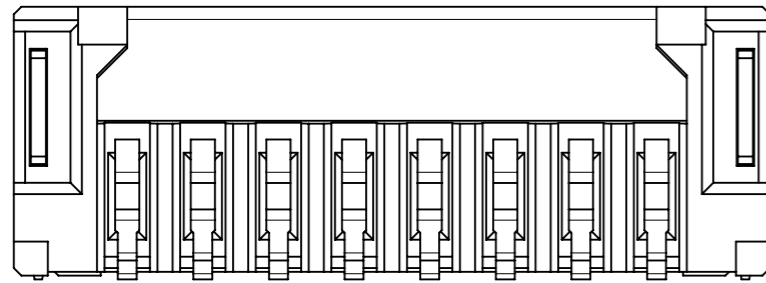
18.6	14.4	20.6	17.0	8
16.6	12.4	18.6	15.0	7
14.6	10.4	16.6	13.0	6
12.6	8.4	14.6	11.0	5
10.6	6.4	12.6	9.0	4
8.6	4.4	10.6	7.0	3
6.6	2.4	8.6	5.0	2
F	E	D	C	極数 CIRCUIT SIZE

THIS DRAWING CONTAINS INFORMATION THAT IS PROPRIETARY TO MOLEX ELECTRONIC TECHNOLOGIES, LLC AND SHOULD NOT BE USED WITHOUT WRITTEN PERMISSION									
DIMENSION UNITS		SCALE		CURRENT REV DESC:					
mm		NTS							
GENERAL TOLERANCES (UNLESS SPECIFIED)									
ANGULAR TOL ± 3.0 °									
4 PLACES		± 0.2		EC NO: 713005					
3 PLACES		± 0.2		DRWN: KYAMADA02		2022/07/05			
2 PLACES		± 0.2		CHK'D: AIDA		2022/07/06			
1 PLACE		± 0.2		APPR: SAKIYAMA		2022/07/06			
0 PLACES		± 0.2		INITIAL REVISION:					
DRAFT WHERE APPLICABLE		THIRD ANGLE PROJECTION		DRAWING		SERIES		DOCUMENT NUMBER	
MUST REMAIN WITHIN DIMENSIONS				A3-SIZE		205972		2059720000-SD	
				MATERIAL NUMBER		CUSTOMER		DOC TYPE DOC PART REVISION	
				SEE TABLE		GENERAL		PSD 000 D	
DOCUMENT STATUS		P1		RELEASE DATE		2022/07/06 06:59:18		SHEET NUMBER	
								2 OF 5	

VACUUM AREA

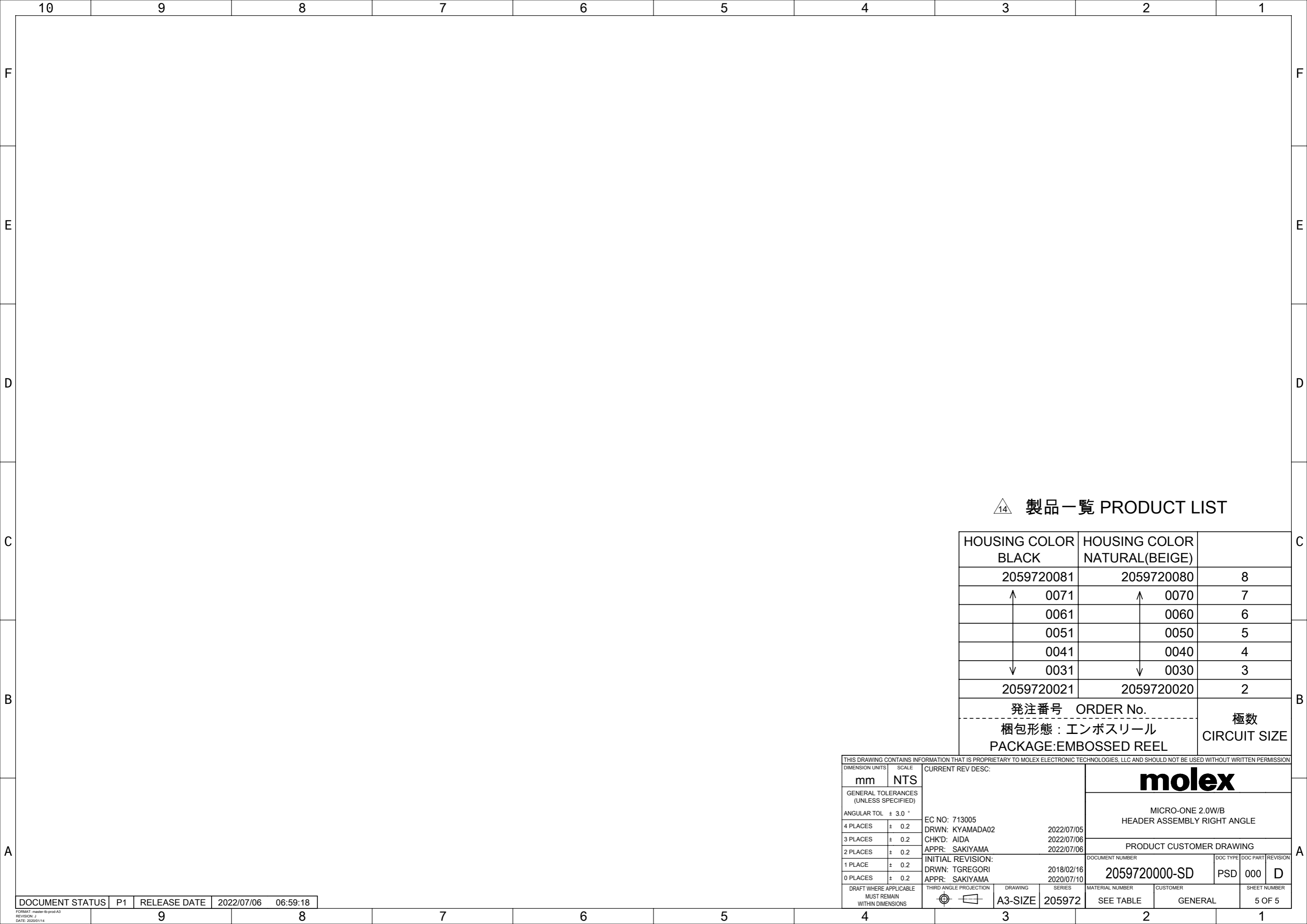


吸着面
VACUUM AREA



17.0	8
15.0	7
13.0	6
11.0	5
9.0	4
7.0	3
5.0	2
G	極数 CURCUIT SIZE

THIS DRAWING CONTAINS INFORMATION THAT IS PROPRIETARY TO MOLEX ELECTRONIC TECHNOLOGIES, LLC AND SHOULD NOT BE USED WITHOUT WRITTEN PERMISSION									
DIMENSION UNITS mm		SCALE NTS		CURRENT REV DESC:				molex	
GENERAL TOLERANCES (UNLESS SPECIFIED)		ANGULAR TOL ± 3.0 °		EC NO: 713005					
4 PLACES ± 0.2		3 PLACES ± 0.2		DRWN: KYAMADA02		2022/07/05		MICRO-ONE 2.0W/B HEADER ASSEMBLY RIGHT ANGLE	
2 PLACES ± 0.2		1 PLACE ± 0.2		CHK'D: AIDA		2022/07/06		PRODUCT CUSTOMER DRAWING	
0 PLACES ± 0.2		DRAFT WHERE APPLICABLE MUST REMAIN WITHIN DIMENSIONS		APP'R: SAKIYAMA		2022/07/06		DOCUMENT NUMBER	
THIRD ANGLE PROJECTION		DRAWING		SERIES		MATERIAL NUMBER		CUSTOMER	
A3-SIZE		205972		2018/02/16		2020/07/10		2059720000-SD	
PSD		000		D		SHEET NUMBER		3 OF 5	



△14 製品一覧 PRODUCT LIST

HOUSING COLOR BLACK	HOUSING COLOR NATURAL(BEIGE)	
2059720081	2059720080	8
↑ 0071	↑ 0070	7
0061	0060	6
0051	0050	5
0041	0040	4
↓ 0031	↓ 0030	3
2059720021	2059720020	2
発注番号 ORDER No.		極数 CIRCUIT SIZE
梱包形態：エンボスリール PACKAGE:EMBOSSED REEL		

THIS DRAWING CONTAINS INFORMATION THAT IS PROPRIETARY TO MOLEX ELECTRONIC TECHNOLOGIES, LLC AND SHOULD NOT BE USED WITHOUT WRITTEN PERMISSION										
DIMENSION UNITS	SCALE	CURRENT REV DESC:					molex			
mm	NTS									
GENERAL TOLERANCES (UNLESS SPECIFIED)							MICRO-ONE 2.0W/B HEADER ASSEMBLY RIGHT ANGLE			
ANGULAR TOL	± 3.0 °						PRODUCT CUSTOMER DRAWING			
4 PLACES	± 0.2	EC NO: 713005								
3 PLACES	± 0.2	DRWN: KYAMADA02			2022/07/05					
2 PLACES	± 0.2	CHK'D: AIDA			2022/07/06					
1 PLACE	± 0.2	APPR: SAKIYAMA			2022/07/06					
0 PLACES	± 0.2	INITIAL REVISION:				DOCUMENT NUMBER		DOC TYPE	DOC PART	REVISION
		DRWN: TGGREGORI			2018/02/16	2059720000-SD		PSD	000	D
		APPR: SAKIYAMA			2020/07/10					
DRAFT WHERE APPLICABLE MUST REMAIN WITHIN DIMENSIONS		THIRD ANGLE PROJECTION	DRAWING	SERIES	MATERIAL NUMBER	CUSTOMER		SHEET NUMBER		
			A3-SIZE	205972	SEE TABLE	GENERAL		5 OF 5		

DOCUMENT STATUS	P1	RELEASE DATE	2022/07/06	06:59:18
-----------------	----	--------------	------------	----------