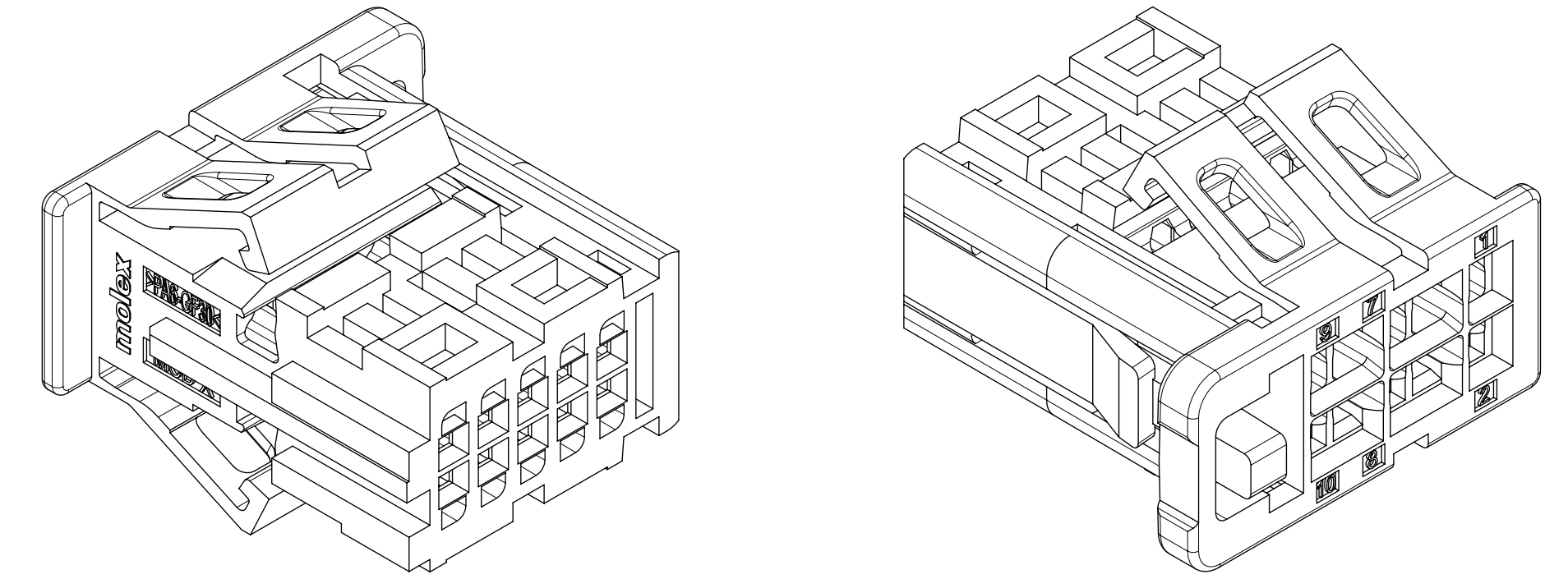


**EXAMPLE:**

PN 2058264081  
 205826 - SERIES NUMBER: RECEPTACLE / CPA ASSEMBLY  
 4 - TYPE OF COMPONENT: 2CKT DEPOPULATED (CPA)  
 08 - 08 USABLE CIRCUITS  
 1 - KEY A

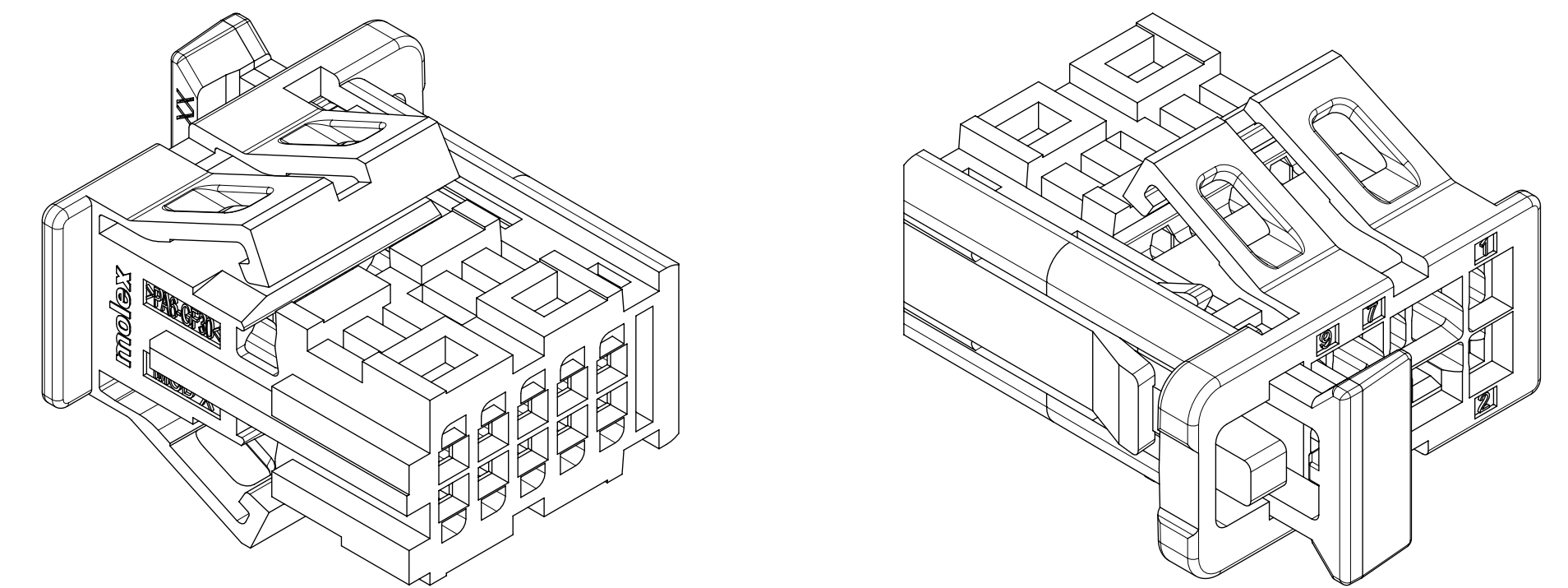
FINAL PART: 08CKT RECT/CPA ASSY - KEY A

**RECEPTACLE  
 10CKT SHOWN:**



	SERIES NUMBERS (AAAAAA)	TYPE OF COMPONENT (B)	USABLE CIRCUITS (CC)	KEY (D)
ON DRAWING	205825 - DR RECEPTACLE 205826 - DR RECEPTACLE / CPA ASSEMBLY	2 - STD MATL; FULLY POPULATED 4 - STD MATL; LAST 2 CKTS DEPOPULATED / UNUSABLE	02 - 2 Circuits	1 - KEY A
MATING PARTS	206957 - DR VERTICAL SMT STANDARD PERFORMANCE HEADER 206958 - DR RIGHT ANGLE SMT STANDARD PERFORMANCE HEADER		... ...	2 - KEY B 3 - KEY C 4 - KEY D

**RECEPTACLE WITH CPA  
 08CKT SHOWN:**



INTERFACE	INTERFACE CKT SIZE	DIM A	DIM B	DIM C	KEY	COLOR	RECEPTACLE ONLY		RECEPTACLE WITH CPA		PART STATUS
							PART NUMBER	USABLE CIRCUITS	PART NUMBER	USABLE CIRCUITS	
1.4	4	10.56	7.48	0.20	A	BLACK	2058252041	4	2058264021	2	INQUIRE FOR AVAILABILITY
					B	NATURAL	2058252042	4	2058264022	2	
					C	BLUE	2058252043	4	2058264023	2	
					D	VIOLET	2058252044	4	2058264024	2	
1.4	6	12.36	9.28	1.10	A	BLACK	2058252061	6	2058264041	4	INQUIRE FOR AVAILABILITY
					B	NATURAL	2058252062	6	2058264042	4	
					C	BLUE	2058252063	6	2058264043	4	
					D	VIOLET	2058252064	6	2058264044	4	
1.4	8	14.16	11.08	2.00	A	BLACK	2058252081	8	2058264061	6	INQUIRE FOR AVAILABILITY
					B	NATURAL	2058252082	8	2058264062	6	
					C	BLUE	2058252083	8	2058264063	6	
					D	VIOLET	2058252084	8	2058264064	6	
1.4	10	15.96	12.88	2.90	A	BLACK	2058252101	10	2058264081	8	AVAILABLE
					B	NATURAL	2058252102	10	2058264082	8	
					C	BLUE	2058252103	10	2058264083	8	
					D	VIOLET	2058252104	10	2058264084	8	
1.4	12	17.76	14.68	3.80	A	BLACK	2058252121	12	2058264101	10	INQUIRE FOR AVAILABILITY
					B	NATURAL	2058252122	12	2058264102	10	
					C	BLUE	2058252123	12	2058264103	10	
					D	VIOLET	2058252124	12	2058264104	10	
1.4	14	19.56	16.48	4.70	A	BLACK	2058252141	14	2058264121	12	INQUIRE FOR AVAILABILITY
					B	NATURAL	2058252142	14	2058264122	12	
					C	BLUE	2058252143	14	2058264123	12	
					D	VIOLET	2058252144	14	2058264124	12	
1.4	16	21.36	18.28	5.60	A	BLACK	2058252161	16	2058264141	14	INQUIRE FOR AVAILABILITY
					B	NATURAL	2058252162	16	2058264142	14	
					C	BLUE	2058252163	16	2058264143	14	
					D	VIOLET	2058252164	16	2058264144	14	
1.4	18	23.16	20.08	6.50	A	BLACK	2058252181	18	2058264161	16	INQUIRE FOR AVAILABILITY
					B	NATURAL	2058252182	18	2058264162	16	
					C	BLUE	2058252183	18	2058264163	16	
					D	VIOLET	2058252184	18	2058264164	16	
1.4	20	24.96	21.88	7.40	A	BLACK	2058252201	20	2058264181	18	INQUIRE FOR AVAILABILITY
					B	NATURAL	2058252202	20	2058264182	18	
					C	BLUE	2058252203	20	2058264183	18	
					D	VIOLET	2058252204	20	2058264184	18	
1.4	22	26.76	23.68	8.30	A	BLACK	2058252221	22	2058264201	20	AVAILABLE
					B	NATURAL	2058252222	22	2058264202	20	
					C	BLUE	2058252223	22	2058264203	20	
					D	VIOLET	2058252224	22	2058264204	20	

B2	CHANGED COLOR OF KEY B FROM GREY TO NATURAL IN THE BOM TABLE
B1	ADDED NOTE 1.7; INTERNAL GEOMETRY CHANGES; REMOVED DIM 2
B	RAISED LATCH PAD ADDED; CPA MAX DIMENSIONS ADJUSTED; BALLOON NUMBERS ADDED; NOTES MODIFIED; CPA COLOR CHANGE
A5	NON FUNCTIONAL CHANGES
REV	DESCRIPTION

THIS DRAWING CONTAINS INFORMATION THAT IS PROPRIETARY TO MOLEX ELECTRONIC TECHNOLOGIES, LLC AND SHOULD NOT BE USED WITHOUT WRITTEN PERMISSION

DIMENSION UNITS	SCALE	CURRENT REV DESC:	
mm	5:1		
GENERAL TOLERANCES (UNLESS SPECIFIED)			
ANGULAR TOL	± 5.0°	EC NO: 677008	
4 PLACES	± 0.0005	DRWN: VBALASUBRAMA	2021/09/08
3 PLACES	± 0.005	CHK'D: JDUNAJ	2021/09/08
2 PLACES	± 0.05	APPR: JDUNAJ	2021/09/08
1 PLACE	± 0.1	INITIAL REVISION:	
0 PLACES	± 1.0	DRWN: ECOLARUSSO	2018/01/31
DRAFT WHERE APPLICABLE MUST REMAIN WITHIN DIMENSIONS		APPR: JDUNAJ	2018/03/12
THIRD ANGLE PROJECTION	DRAWING	SERIES	MATERIAL NUMBER
	D-SIZE	205825	2058250002
		CUSTOMER	SHEET NUMBER
		GENERAL MARKET	1 OF 2

**INSPECTION BALLOON NUMBER LOG**

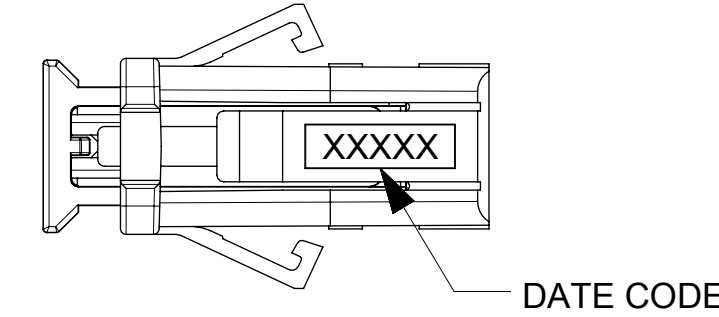
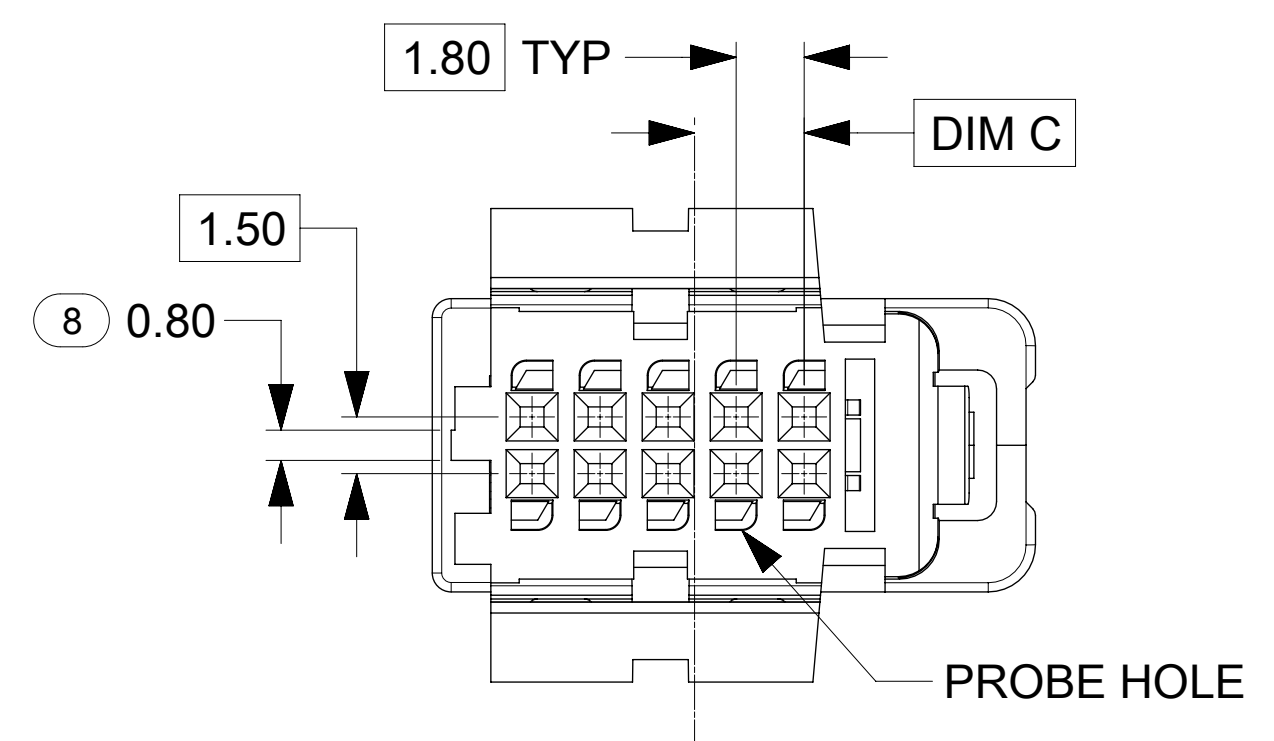
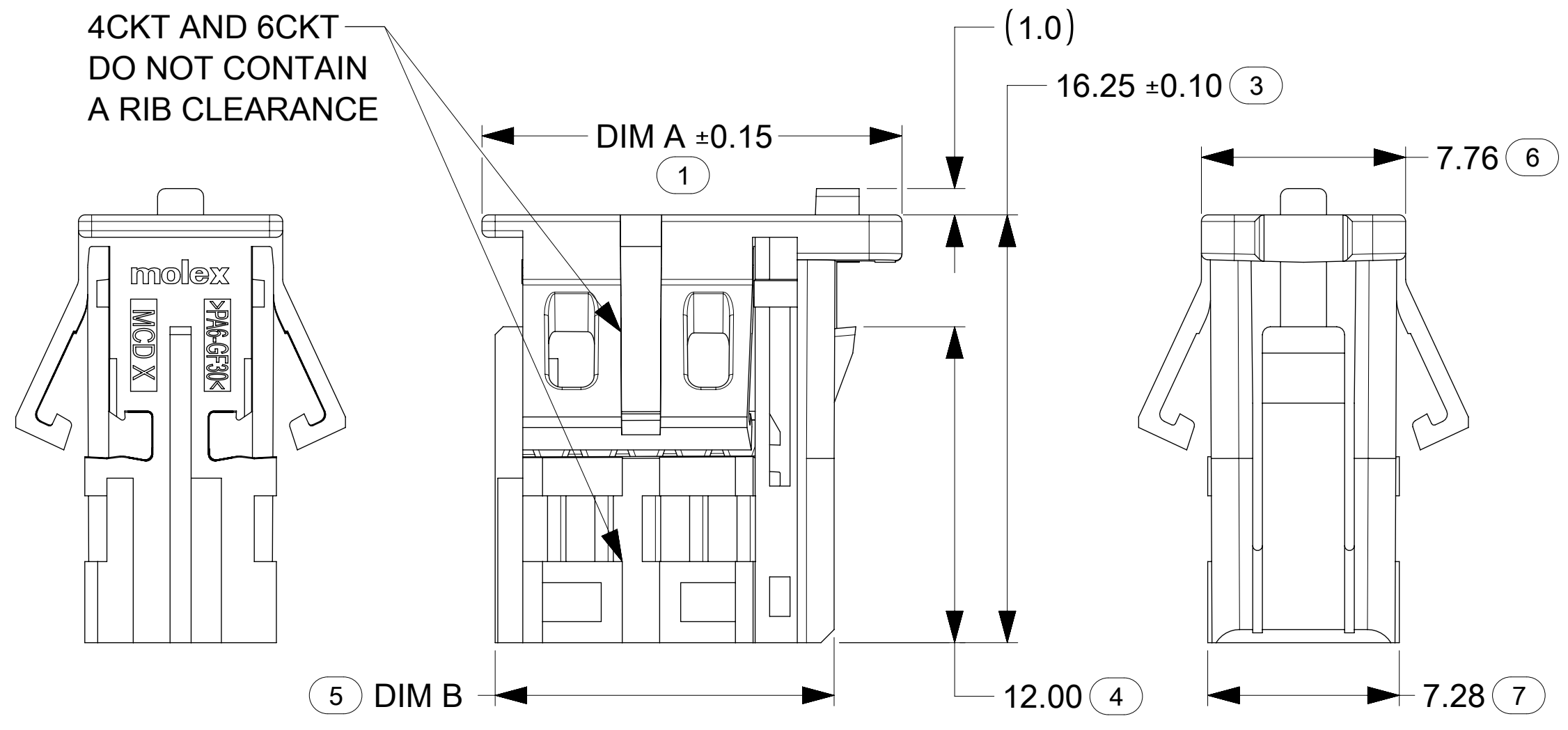
PER DRAWING REVISION: B2

LAST BALLOON USED: 22

ADDED BALLOON NUMBERS:

REMOVED BALLOON NUMBERS: 2

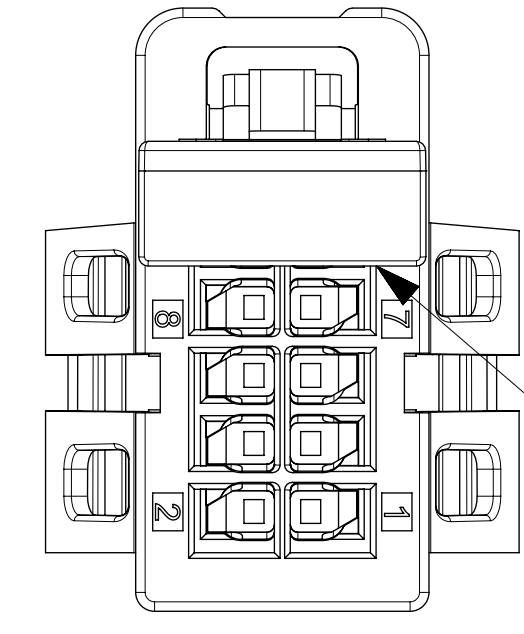
4CKT AND 6CKT  
DO NOT CONTAIN  
A RIB CLEARANCE



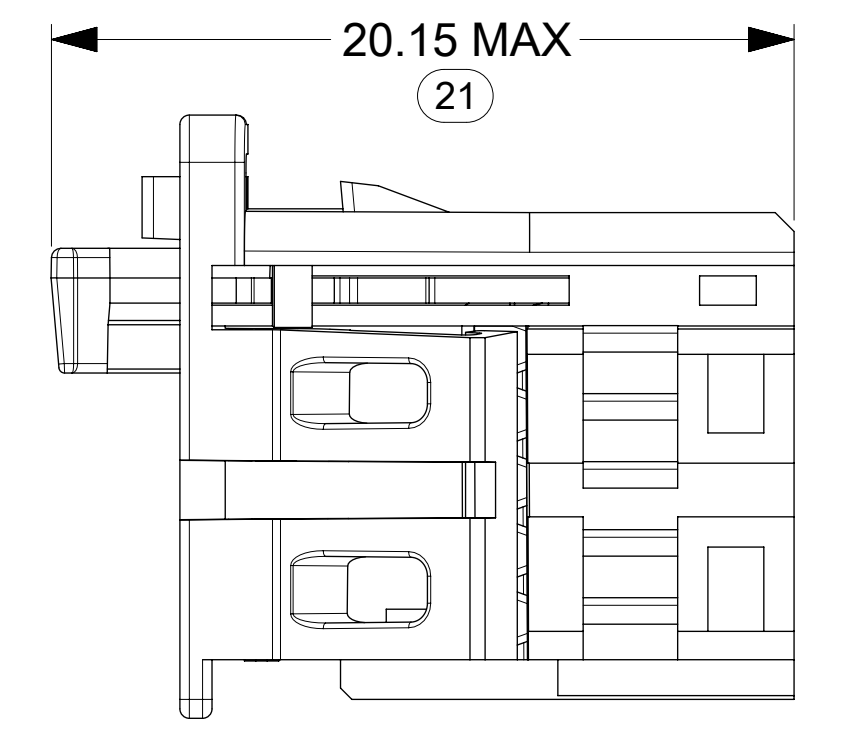
**NOTES:**

- VALID UNLESS OTHERWISE SPECIFIED
- GENERAL:
    - APPLICATION SPECIFICATION SEE: 2046310000-AS
    - PRODUCT SPECIFICATION SEE: 2046310000-PS
    - PACKAGING SPECIFICATION PER MOLEX DRAWING: PK-31301-695
    - THE MAXIMUM USABLE CIRCUITS WHEN USING THE CPA
    - COMPATIBLE WITH STANDARD AK INTERFACE DRAWING C-114-94000-20 REV A1
    - COMPATIBLE WITH MOLEX AK INTERFACE 2046310002
    - TOLERANCES APPLY IN DRY AS MOLDED STATE ONLY
  - DESIGN - MATERIALS:
    - RECEPTACLE HOUSING:
      - MATERIAL: PA6-GF30%
      - COLOR: SEE PART TABLE
    - CPA
      - MATERIAL: PA6-GF30%
      - COLOR: RED
  - DESIGN - GEOMETRY:
    - GEOMETRIC DIMENSIONS AND TOLERANCES PER ASME Y14.5-2018
    - EDGES AND UNDIMENSIONED DETAILS PER ISO13715
    - CORNERS SHOWN AS SHARP TO BE R 0.2 MAX.
    - MARKED TEXT TO INCLUDE:
      - FOR RECEPTACLE COMPONENT: RECYCLING CODE, CAVITY ID, AND VENDOR IDENTIFICATION.
      - FOR ASSEMBLY ONLY: LASER ETCHED DATE CODE  
1ST THROUGH 2ND DIGIT = CALENDAR YEAR  
3RD THROUGH 5TH DIGIT = "DAY #" OF YEAR

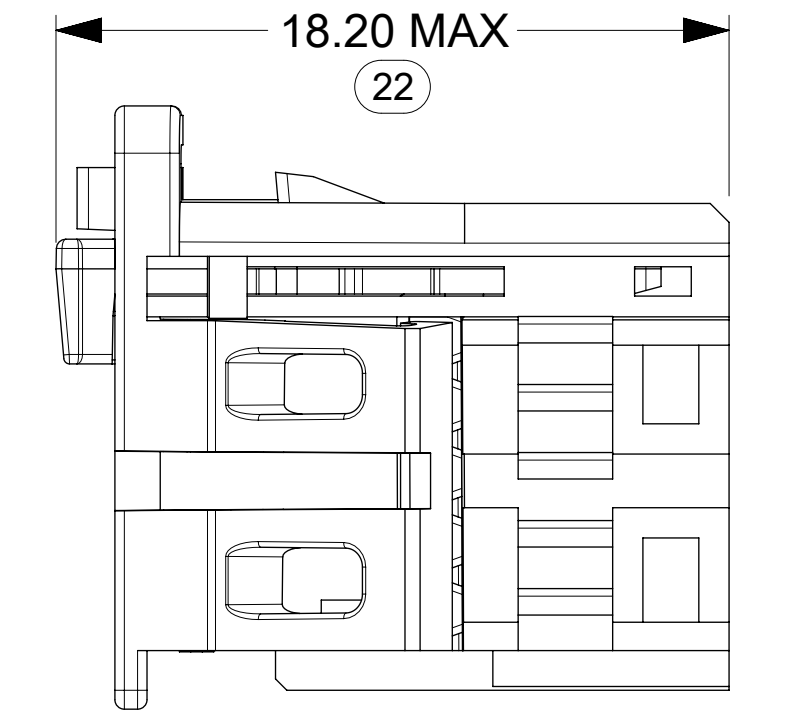
**CPA:**



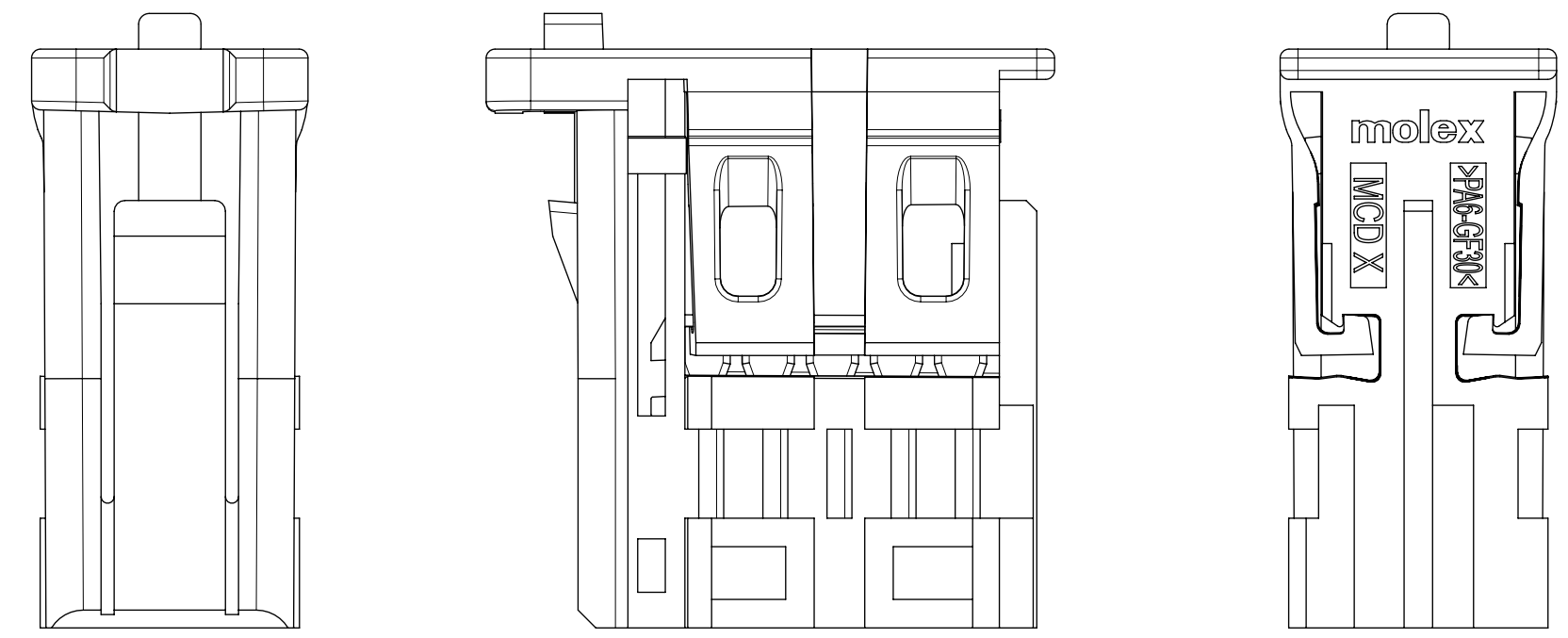
CPA IN PRE-LOCK (AS DELIVERD)



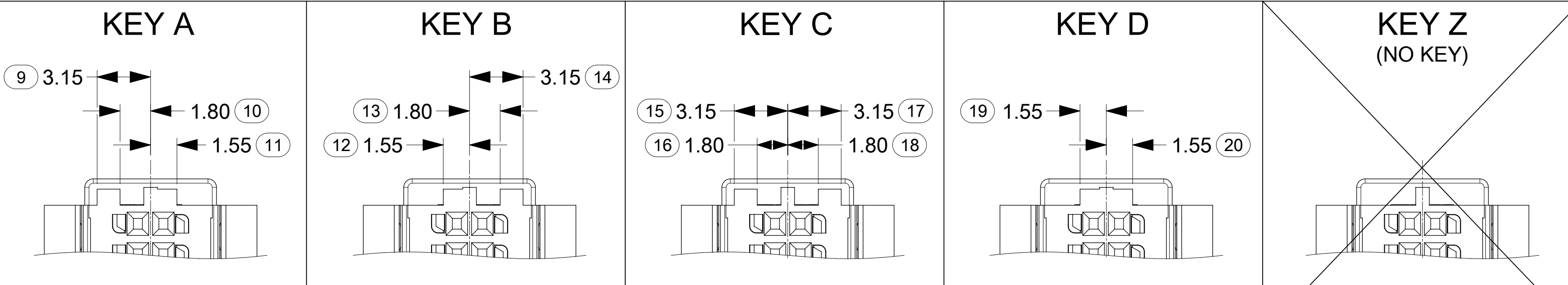
CPA IN FINAL LOCK



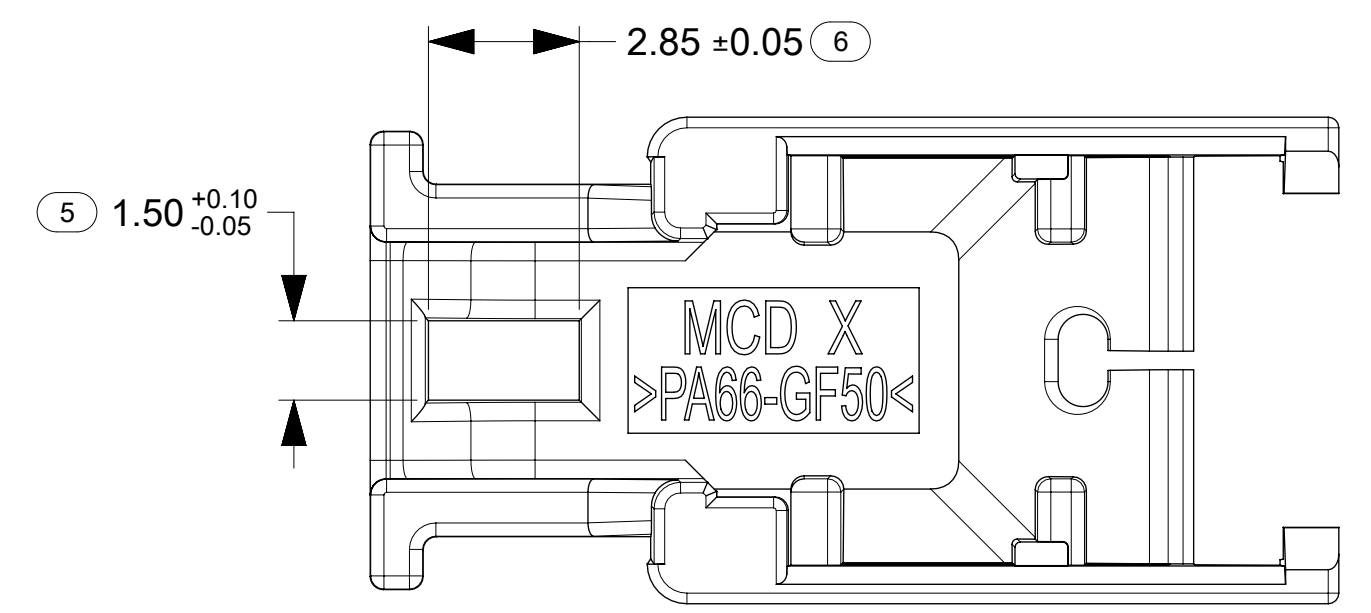
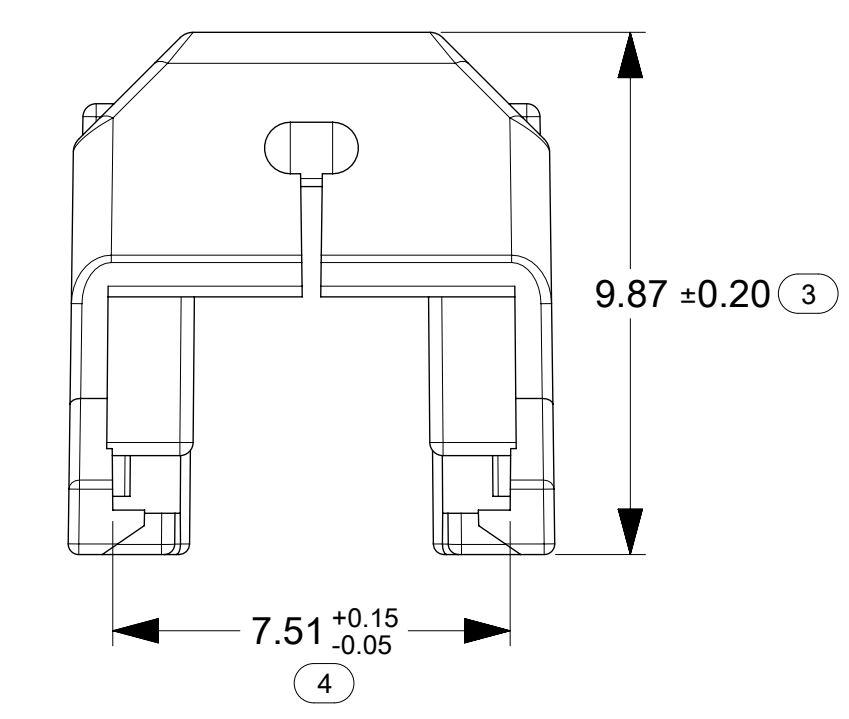
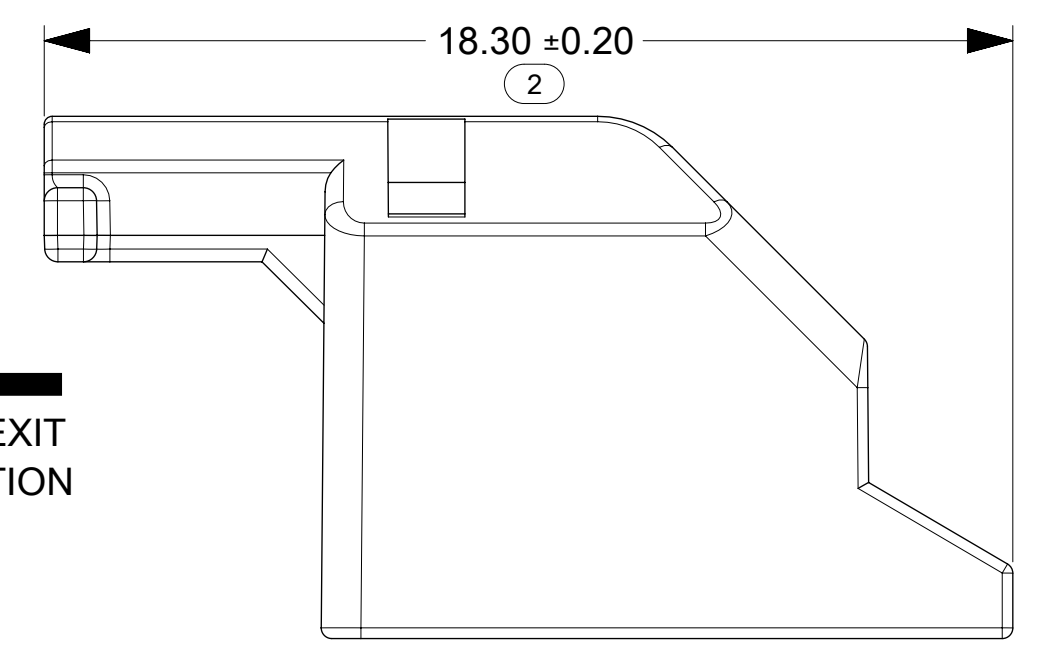
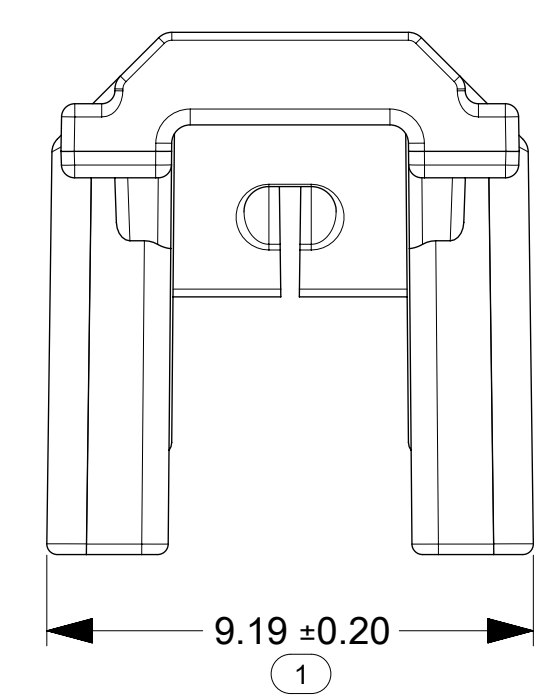
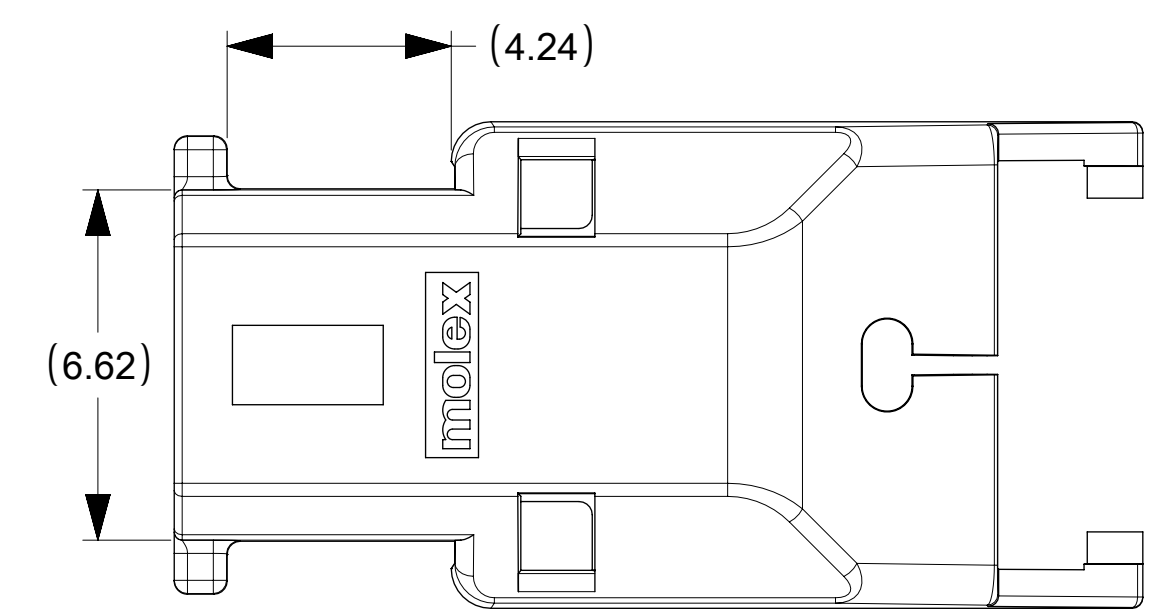
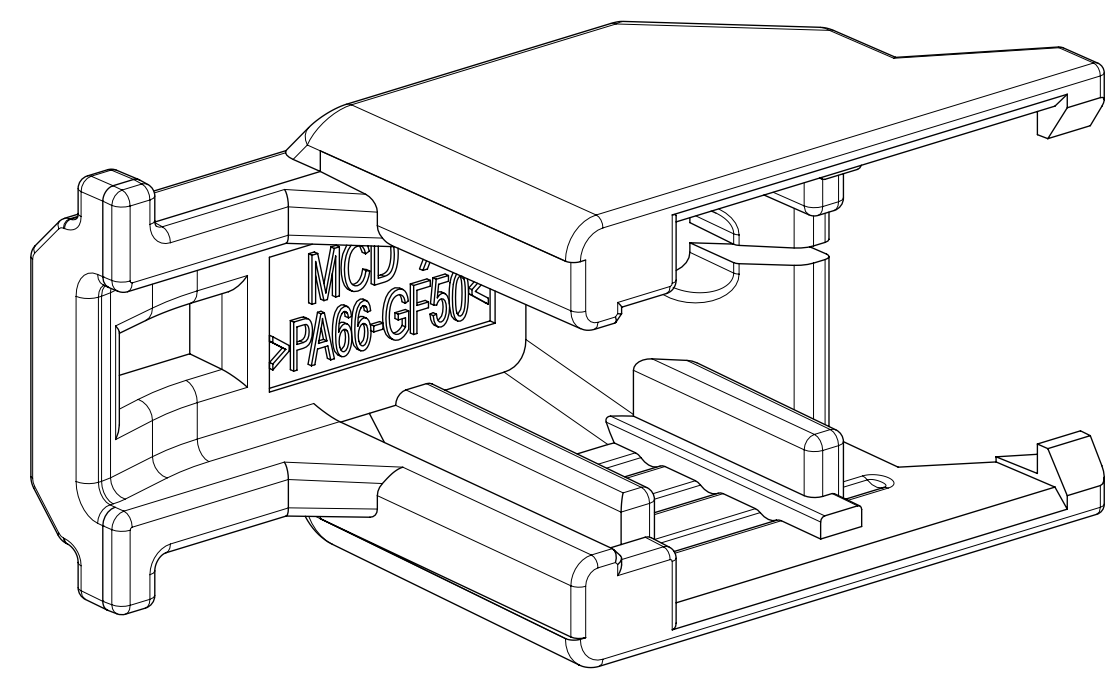
**ISL IN FINAL LOCK**



**KEYS / POLARIZATIONS / CODINGS**



THIS DRAWING CONTAINS INFORMATION THAT IS PROPRIETARY TO MOLEX ELECTRONIC TECHNOLOGIES, LLC AND SHOULD NOT BE USED WITHOUT WRITTEN PERMISSION											
DIMENSION UNITS		SCALE		CURRENT REV DESC:							
mm		5:1									
GENERAL TOLERANCES (UNLESS SPECIFIED)				EC NO: 677008							
ANGULAR TOL ± 5.0°				DRWN: VBALASUBRAMA 2021/09/08							
4 PLACES ± 0.0005				CHK'D: JDUNAJ 2021/09/08							
3 PLACES ± 0.005				APPR: JDUNAJ 2021/09/08							
2 PLACES ± 0.05				INITIAL REVISION:							
1 PLACE ± 0.1				DRWN: ECOLARUSSO 2018/01/31							
0 PLACES ± 1.0				APPR: JDUNAJ 2018/03/12							
DRAFT WHERE APPLICABLE MUST REMAIN WITHIN DIMENSIONS		THIRD ANGLE PROJECTION		DRAWING		SERIES		MATERIAL NUMBER			
		D-SIZE		205825		205825		SEE NOTES			
DOCUMENT STATUS				RELEASE DATE		DOC TYPE		DOC PART		REVISION	
P1				2021/09/08 19:32:31		PSD		000		B2	
DOCUMENT NUMBER				CUSTOMER		SHEET NUMBER					
2058250002				GENERAL MARKET		2 OF 2					



← WIRE EXIT DIRECTION

**NOTES:**

1. GENERAL:

- 1.1 PRODUCT SPECIFICATION: 2046310000-PS
- 1.2 TEST SUMMARY: 2046310204-TS
- 1.3 APPLICATION SPECIFICATION: 2046310000-AS
- 1.4 PACKAGING SPECIFICATION: PK-31301-898
- 1.5 COSMETIC SPECIFICATION: PS-45499-002 CLASS B
- 1.6 GEOMETRIC TOLERANCES: ASME Y14.5-2018
- 1.7 ATTACHES TO: SEE COMPATIBLE PARTS TABLE
- 1.8 COVER IS COMPATIBLE WITH AND WITHOUT CPA

2. MATERIALS:

- 2.1 HOUSING MATERIAL: PA66-GF50

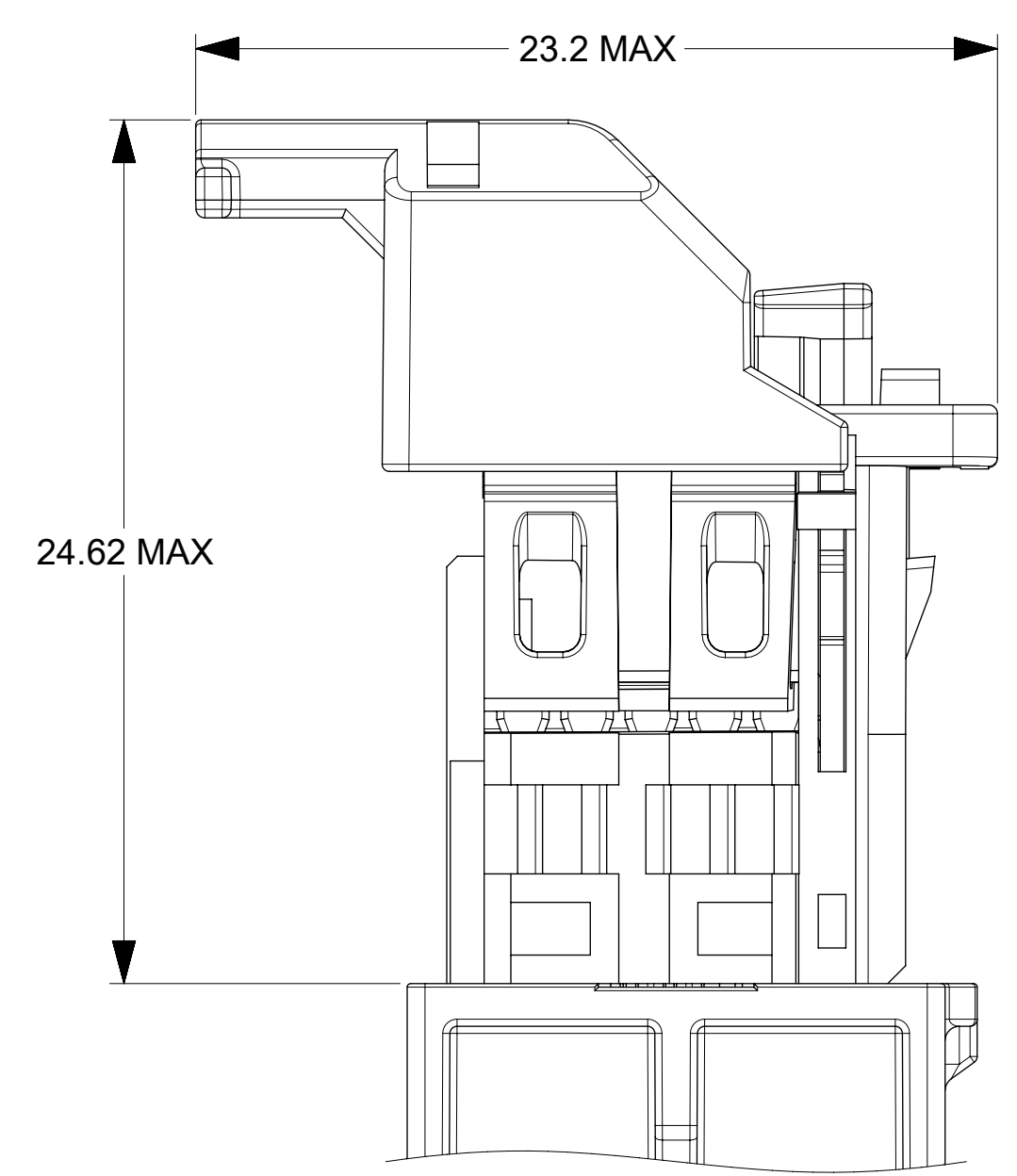
**PRODUCT PART NUMBER:**

PRODUCT PART NUMBER	DESCRIPTION	COLOR
2058267100	CONNTAK50 DUAL ROW 10CKT INTERFACE (8CKT WITH CPA) WIRE DRESS COVER	BLACK

**COMPATIBLE PARTS TABLE:**

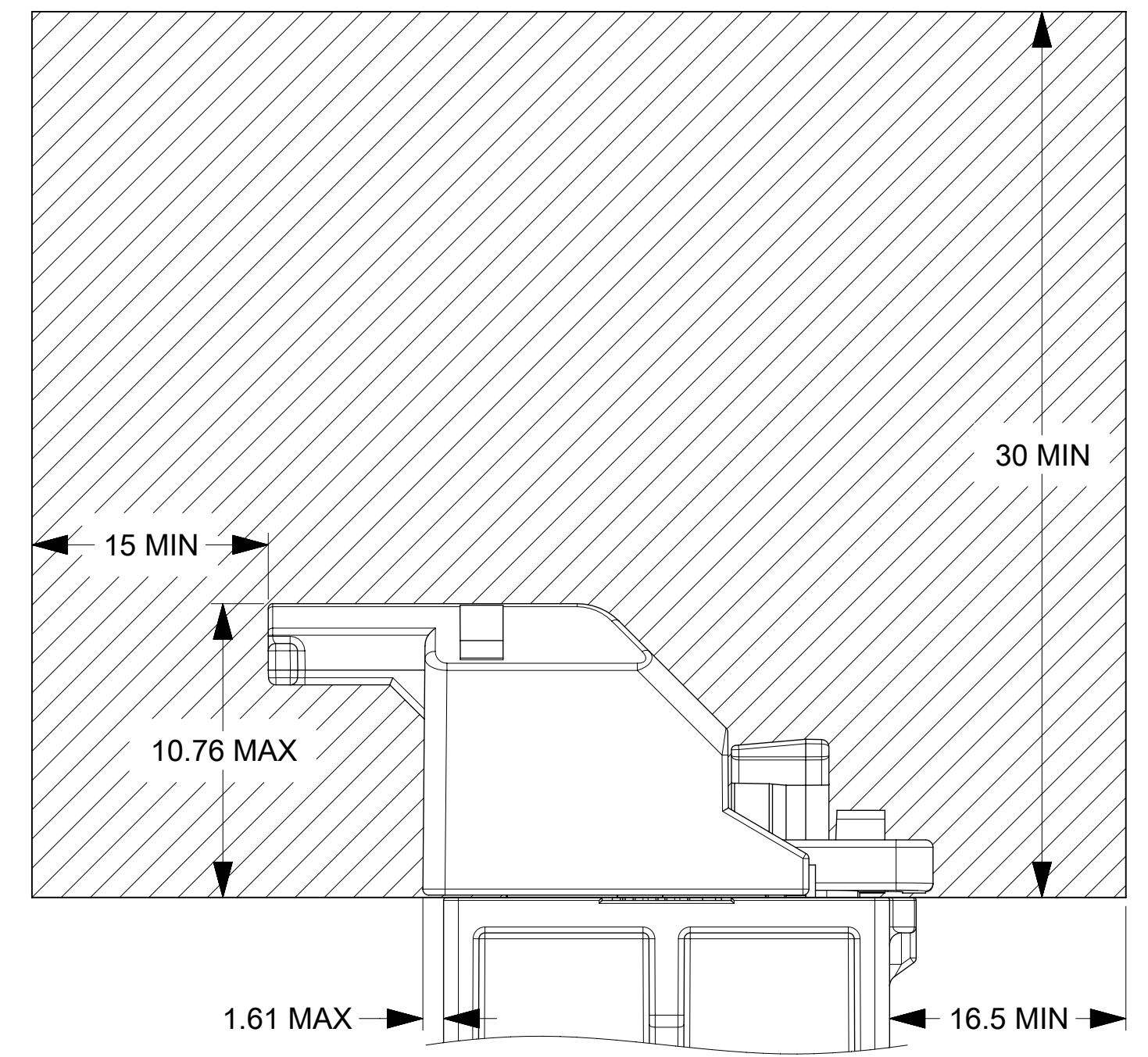
COMPATIBLE PART NUMBER	DESCRIPTION	INTERFACE CKT SIZE
2058252101	CONNTAK50 10CKT RECEPTACLE - KEY A	10 CKTS
2058252102	CONNTAK50 10CKT RECEPTACLE - KEY B	10 CKTS
2058252103	CONNTAK50 10CKT RECEPTACLE - KEY C	10 CKTS
2058252104	CONNTAK50 10CKT RECEPTACLE - KEY D	10 CKTS
2058264081	CONNTAK50 8CKT RECEPTACLE WITH CPA - KEY A	10 CKTS
2058264082	CONNTAK50 8CKT RECEPTACLE WITH CPA - KEY B	10 CKTS
2058264083	CONNTAK50 8CKT RECEPTACLE WITH CPA - KEY C	10 CKTS
2058264084	CONNTAK50 8CKT RECEPTACLE WITH CPA - KEY D	10 CKTS

**DIMENSIONS ON HEADER BEFORE MATING**

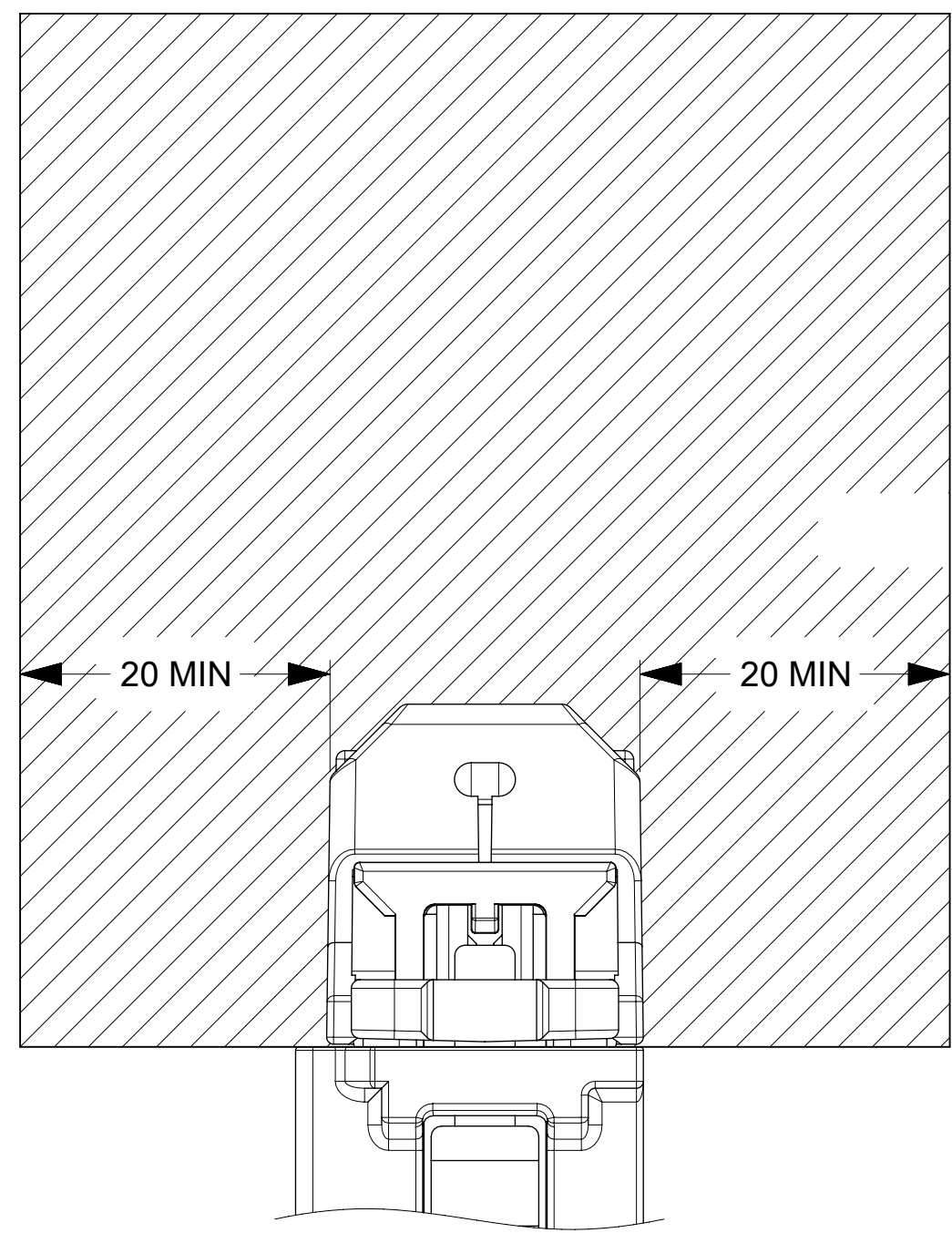


SCALE 5:1

**RECOMMENDED MINIMUM CLEARANCES TO UNMATE HARNESS CONNECTOR**



SCALE 5:1



SCALE 5:1

INSPECTION BALLOON LOG

PER DRAWING REVISION: A1

TOTAL BALLOONS: 6

ADDED BALLOONING NUMBERS:

A1	ADDED PRODUCT PART NUMBER TABLE
A	INITIAL RELEASE

REMOVED BALLOON NUMBERS:

REV	DESCRIPTION
-----	-------------

THIS DRAWING CONTAINS INFORMATION THAT IS PROPRIETARY TO MOLEX ELECTRONIC TECHNOLOGIES, LLC AND SHOULD NOT BE USED WITHOUT WRITTEN PERMISSION

DIMENSION UNITS	SCALE
mm	7:1
GENERAL TOLERANCES (UNLESS SPECIFIED)	
ANGULAR TOL	± °
4 PLACES	±
3 PLACES	±
2 PLACES	±
1 PLACE	±
0 PLACES	±

CURRENT REV DESC:

EC NO: 662598

DRWN: ECOLARUSSO 2021/04/30

CHK'D: KHEWITT 2021/04/30

APPR: JDUNAJ 2021/04/30

INITIAL REVISION:

DRWN: ECOLARUSSO 2021/02/23

APPR: JDUNAJ 2021/02/23

**molex**

CONNTAK50 8/10CKT WIRE DRESS COVER

PRODUCT CUSTOMER DRAWING

DOCUMENT NUMBER	DOC TYPE	DOC PART	REVISION
2058267100-SD	PSD	000	A1

DRAFT WHERE APPLICABLE MUST REMAIN WITHIN DIMENSIONS	THIRD ANGLE PROJECTION	DRAWING	SERIES	MATERIAL NUMBER	CUSTOMER	SHEET NUMBER
		D-SIZE	205826	SEE TABLE	GENERAL MARKET	1 OF 1