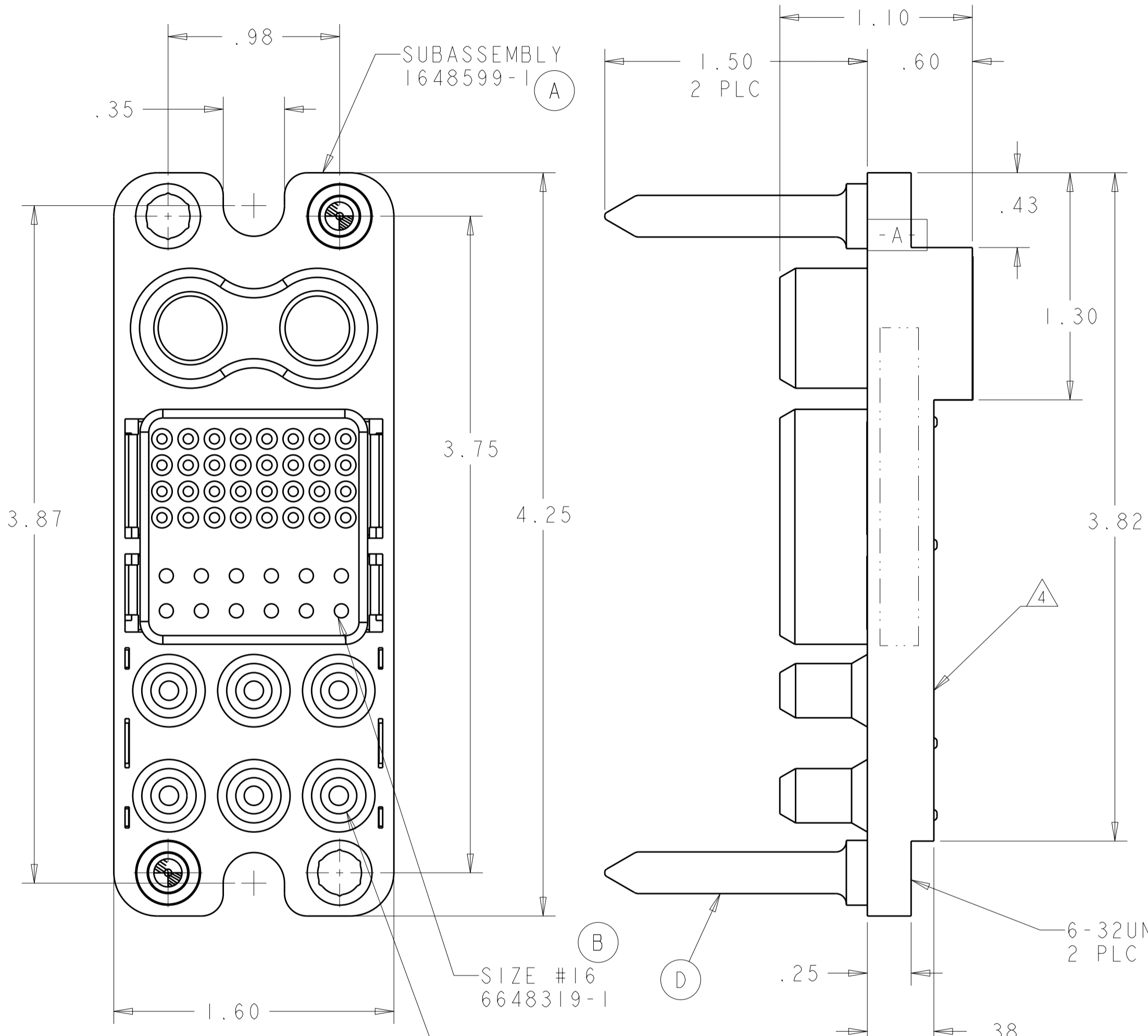


THIS DRAWING IS UNPUBLISHED. RELEASED FOR PUBLICATION 20
 © COPYRIGHT 20 BY TYCO ELECTRONICS CORPORATION. ALL RIGHTS RESERVED.

LOC		DIST		REVISIONS			
P	LTR	DESCRIPTION	DATE	DWN	APVD		
GP	00	A	RELEASED	10MAR2006	RG	PD	
		B	REV PER ECO-08-022842	23SEP2008	RG	DO	



- PART NUMBER CHANGES AND OR DESIGN CHANGES AFFECTING THE INTERCHANGEABILITY REQUIRE PRIOR TYCO ELECTRONICS APPROVAL AND AUTHORIZATION BY REVISION TO THIS DRAWING.
 - MATERIAL:
 INSULATOR: THERMOPLASTIC, GLASS REINFORCED, FLAMMABILITY RATED, COLOR: BLACK
 CONTACT: COPPER ALLOY
 RETENTION CLIP: BERYLLIUM COPPER
 - FINISH:
 CONTACTS: GOLD PLATE .000030 MIN. THK. OVER NICKEL
 .000040 MIN. THK.
- 4 ITEMS PROVIDED TO THIS SPECIFICATION TO BE PERMANENTLY IDENTIFIED PER THE FOLLOWING IDENTIFIER:
- YEAR 1 WEEK 1
- TYCO ELECTRONICS P/N: XXXXXXXX-X DATE CODE (e.g. 0216): XXXX
- 5 CRIMP CONTACTS (ITEM B & C) SHALL BE PACKAGED SEPARATELY AND PLACED IN THE BOX WITH THE CONN. ASSEMBLY.

5	D	2	1650560-1	GUIDE PIN, 1/4" DIA. W/ 6-32 INT. THD
5	C	6	6648318-1	CONTACT, SOCKET, #12, CRIMP
5	B	12	6648319-1	CONTACT, SOCKET, #16, CRIMP
	A	1	1648599-1	CONNECTOR, SOCKET
ITEM	-1	PART NUMBER	DESCRIPTION	

ELCON DRAWER

THIS DRAWING IS A CONTROLLED DOCUMENT FOR TYCO ELECTRONICS CORPORATION. IT IS SUBJECT TO CHANGE AND THE CONTROLLING ENGINEERING ORGANIZATION SHOULD BE CONTACTED FOR THE LATEST REVISION.

DWN	R. GRZYBOWSKI	10MAR2006	Tyco Electronics Harrisburg, PA 17105-3608			
CHK	P. DAMATO	10MAR2006				
APVD	S. FLICKINGER	10MAR2006				
NAME	TOP DRAWER SOCKET HOUSING ASSEMBLY W/ GUIDE PINS					
DIMENSIONS:	INCHES 		SIZE	CAGE CODE	DRAWING NO	RESTRICTED TO
TOLERANCES UNLESS OTHERWISE SPECIFIED:	0 PLC ± 1 PLC ±.02 2 PLC ±.02 3 PLC ±.010 4 PLC ± ANGLES ±.5 FINISH		A2	00779	C-1926014	-
MATERIAL	-		WEIGHT	-		CUSTOMER DRAWING
			SCALE	2:1	SHEET	1 OF 2
					REV	B

4

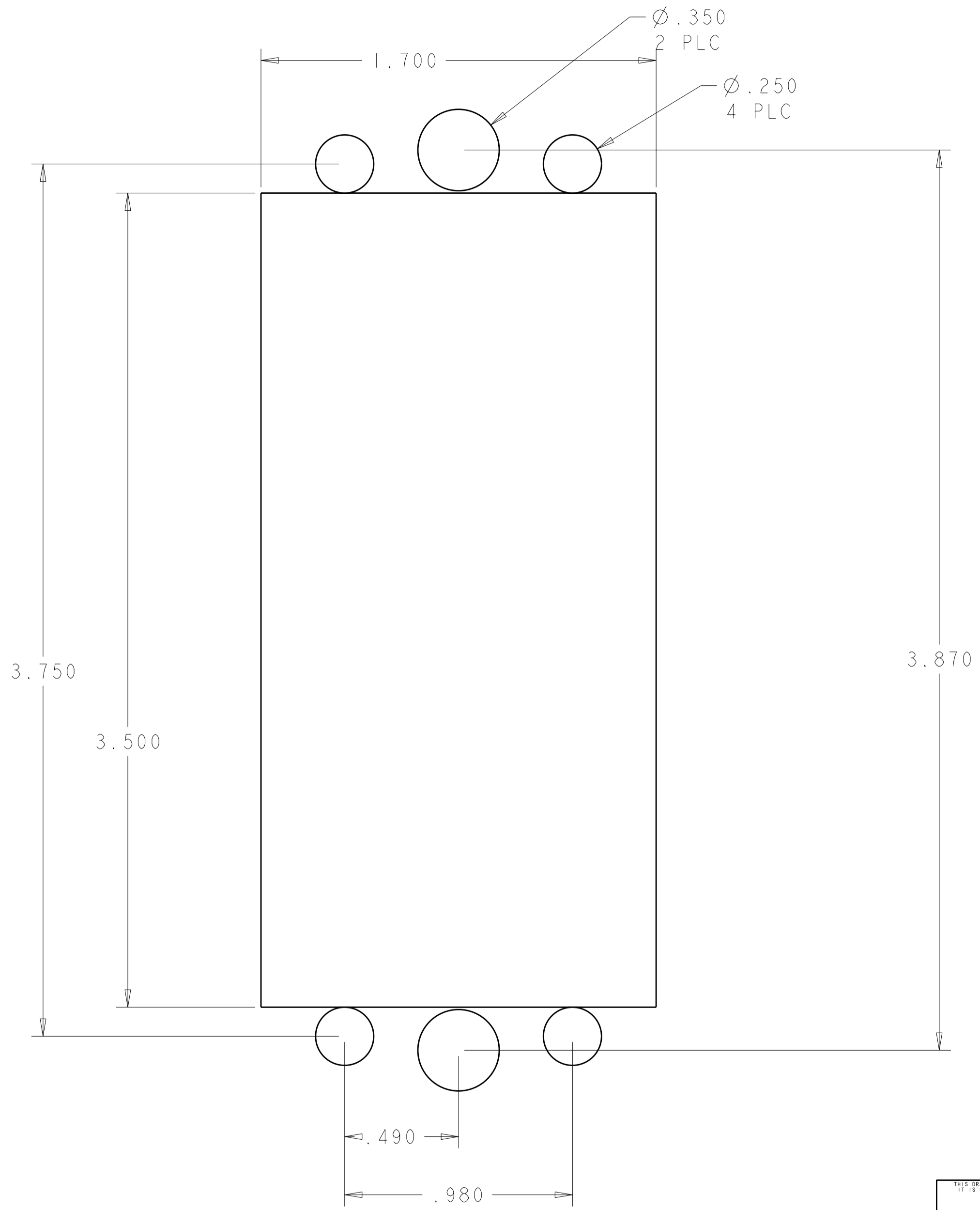
3

2

1

THIS DRAWING IS UNPUBLISHED. RELEASED FOR PUBLICATION 20
 © COPYRIGHT 20 BY TYCO ELECTRONICS CORPORATION. ALL RIGHTS RESERVED.

LOC	DIST	REVISIONS					
GP	00	P	LTR	DESCRIPTION	DATE	DWN	APVD
		-		SEE SHEET 1			



SUGGESTED PANEL CUTOUT
 VIEWED FROM CONNECTOR MOUNTING SIDE

<small>THIS DRAWING IS A CONTROLLED DOCUMENT FOR TYCO ELECTRONICS CORPORATION IT IS SUBJECT TO CHANGE AND THE CONTROLLING ENGINEERING ORGANIZATION SHOULD BE CONTACTED FOR THE LATEST REVISION.</small>		DWN R. GRZYBOWSKI 10MAR2006 CHK P. DAMATO 10MAR2006 APVD S. FLICKINGER 10MAR2006	Tyco Electronics Harrisburg, PA 17105-3608
DIMENSIONS: INCHES	TOLERANCES UNLESS OTHERWISE SPECIFIED: 0 PLC ± 1 PLC ± 2 PLC ±.02 3 PLC ±.010 4 PLC ± ANGLES ±.5 FINISH	PRODUCT SPEC APPLICATION SPEC	NAME TOP DRAWER SOCKET HOUSING ASSEMBLY W/ GUIDE PINS
MATERIAL		WEIGHT	SIZE A200779 CAGE CODE C-1926014 DRAWING NO. 1926014 RESTRICTED TO
		CUSTOMER DRAWING	SCALE 2:1 SHEET 2 OF 2 REV B