

THIS DRAWING IS UNPUBLISHED.

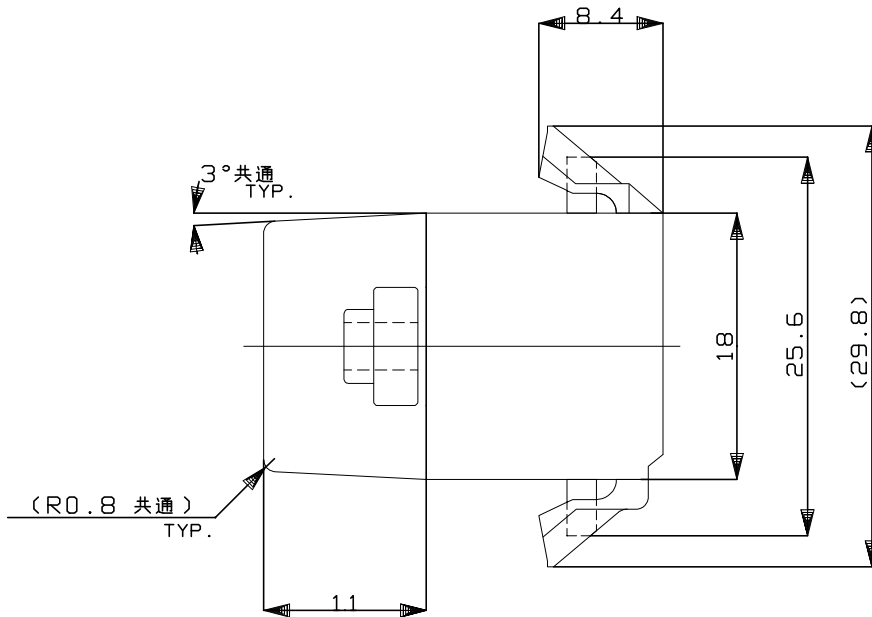
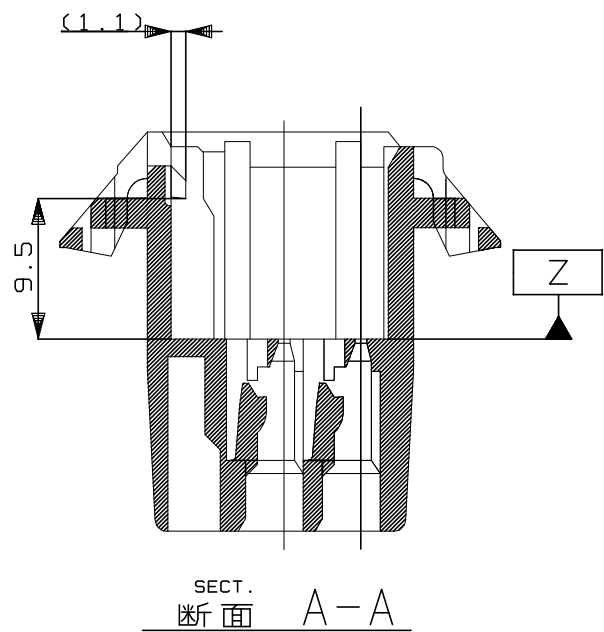
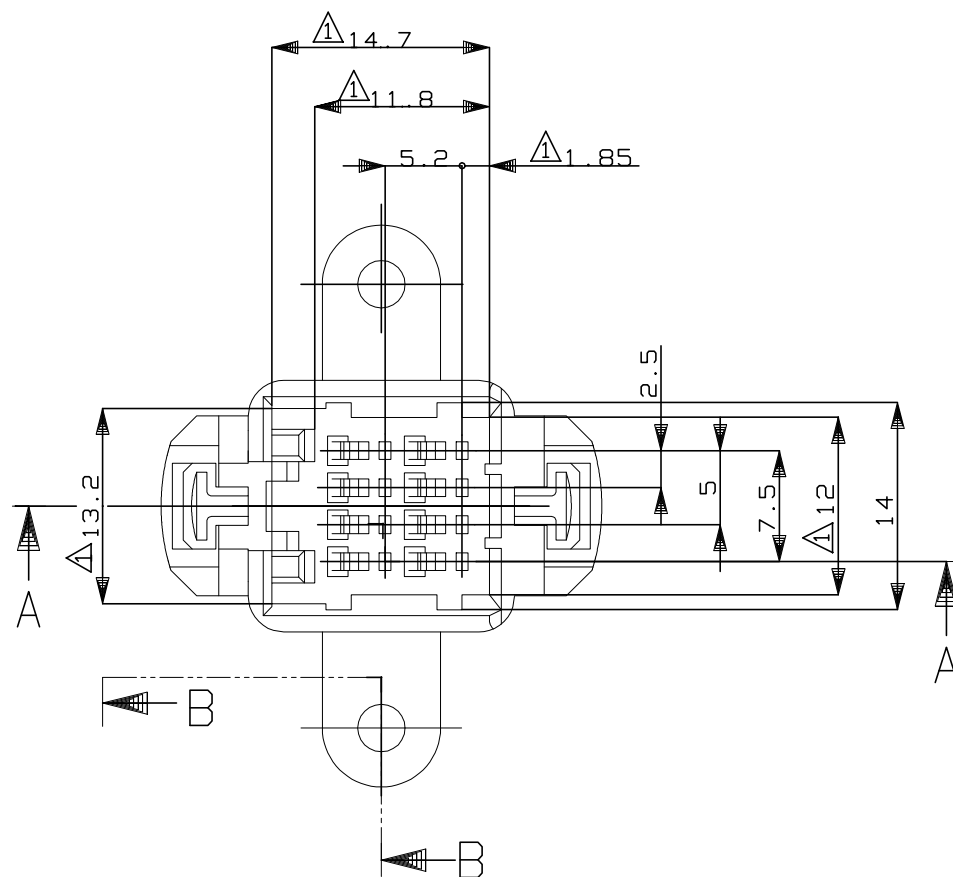
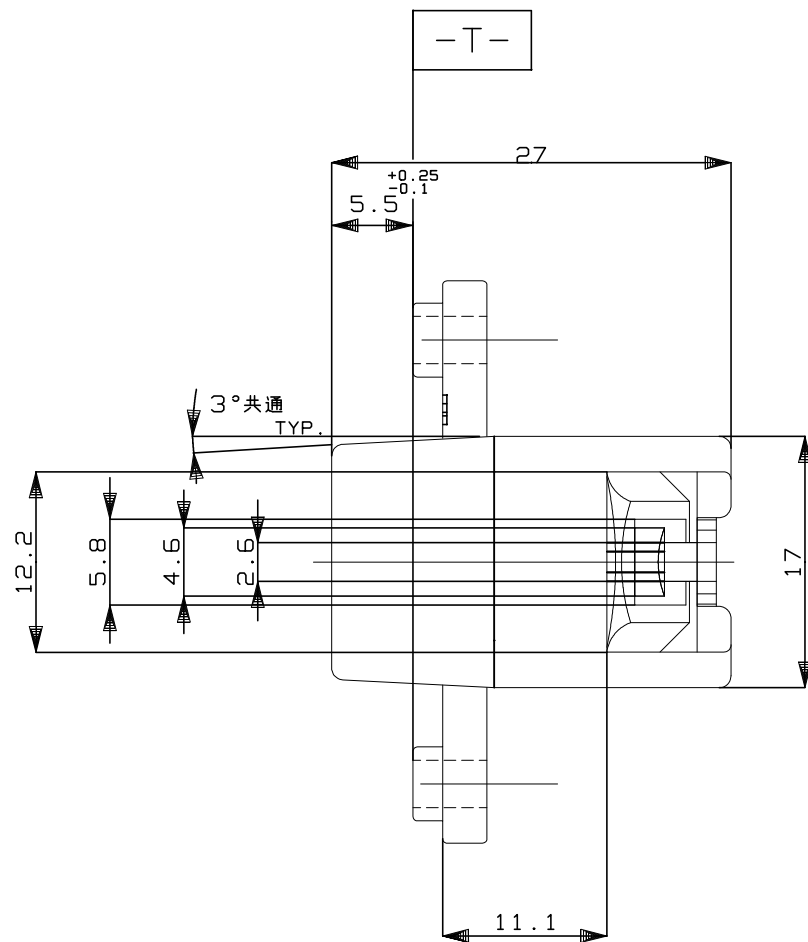
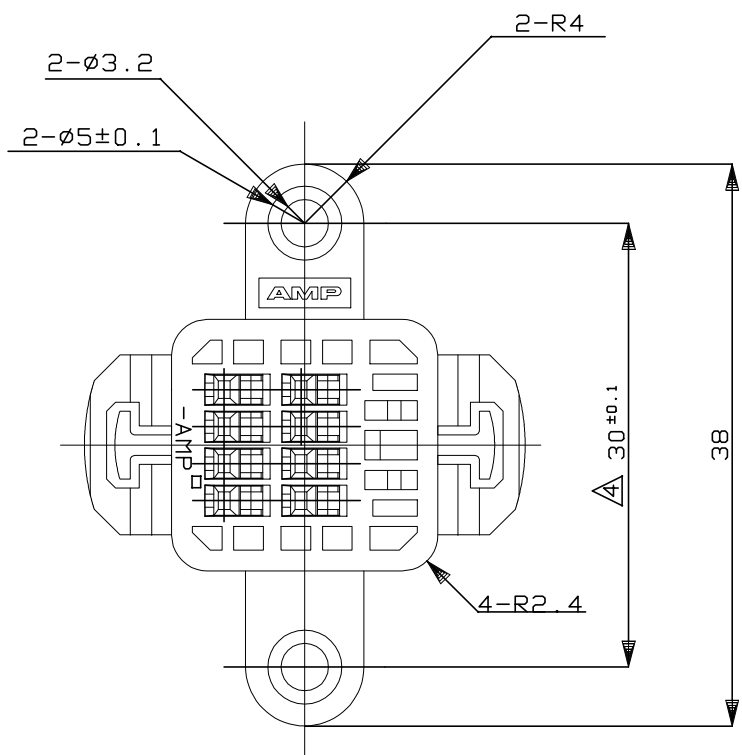
RELEASED FOR PUBLICATION

REVISIONS

© COPYRIGHT 2020 TE Connectivity Ltd.

ALL RIGHTS RESERVED.

P	LTR	DESCRIPTION	DATE	DWN	APVD
A1	ECR-20-001927		12MAR2020	VI	MT



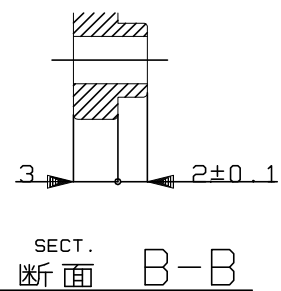
NOTE ;

- △ TO BE MEASURED WITHIN 2mm FROM [-Z-]
- 2 THE MATING PLUG HOUSING PART NUMBER;174044
- 3 APPLICABLE CONTACT PART NUMBER;173682
- △ TO BE MEASURED AT [-T-]
- 5 PRODUCT SPECC 108-5352 IS USED

注 ;

- △ [-Z-]面から2mmの範囲で測定
- 2 相手ハウジング型番 ;174044
- 3 適用端子型番 ;173682
- △ [-T-]面にて測定
- 5 製品規格番号は、108-5352

白 (WHITE)	178455-1
色 (COLOR)	型番 (PART NO.)



一般公差 (GENERAL TOLERANCE)

10以下	: ±0.2
10を超え30以下	: ±0.25
30を超え100以下	: ±0.3
角度	: ±3°

THIS DRAWING IS A CONTROLLED DOCUMENT.

DWN	<i>A. Progenina</i>	16JAN1992
CHK	<i>B. Ogawa</i>	16JAN1992
APVD	<i>M. Arima</i>	17JAN1992
PRODUCT SPEC	製品規格	108-5352
APPLICATION SPEC	取付適用規格	-
WEIGHT	0	A300779
CUSTOMER DRAWING	SCALE 1:1	SHEET 1 OF 1

TE Connectivity

8Pos.CAP HOUSING,.040 SERIES MULTI-LOCK CONNECTOR
8極キャップハウジング
.040シリーズ マルチロックコネクタ (パネルマウント)

SIZE CAGE CODE DRAWING NO RESTRICTED TO
A300779 C=178455