

Conductor connectors - QPD CW 3PE2,5 1X9-14 BK - 1582545

Please be informed that the data shown in this PDF Document is generated from our Online Catalog. Please find the complete data in the user's documentation. Our General Terms of Use for Downloads are valid (<http://phoenixcontact.com/download>)



Conductor connectors, QUICKON connection, number of positions: 3+PE, 1 mm² ... 2.5 mm², 690 V, 20 A, black, with one QUICKON nut, cable diameter range: 9 mm ... 14 mm, QUICKON fast connection

Your advantages

- ✔ Innovative and time saving - QUICKON fast connection for time saving of up to 80 % for on-site connection
- ✔ Convenient: quick and easy assembly without special tools
- ✔ Robust throughout: housing with IP68/IP69K and IK07 protection for a wide range of applications
- ✔ Safer connection thanks to polarization against mismatching and touch-proof protection according to DIN EN 0105
- ✔ Easy and safe - with the cable connector, you can repair or extend cables quickly, in combination with the connector as well as the coupling connection

Key Commercial Data

| | |
|--------------|---------------|
| Packing unit | 1 pc |
| GTIN | |
| GTIN | 4046356552493 |

Technical data

General

| | |
|--------------------------------|--------------------|
| Type | QPD 4x2,5 |
| Color | black |
| Locking type | Screw locking |
| Connection method | QUICKON connection |
| | IDC connection |
| Number of positions | 4 |
| Note number of positions | 3+PE |
| Wrench size, union nut | 22 mm |
| Tightening torque, union nut | 5 Nm |
| Tightening torque, counter nut | 5 Nm |
| Wrench size, counter nut | 27 mm |

Conductor connectors - QPD CW 3PE2,5 1X9-14 BK - 1582545

Technical data

General

| | |
|---------------------------------------|---------------------|
| Number of connections | 10 |
| Conductor cross section flexible min. | 1 mm ² |
| Conductor cross section flexible max. | 2.5 mm ² |
| Conductor cross section solid min. | 1 mm ² |
| Conductor cross section solid max. | 2.5 mm ² |
| Conductor cross section AWG min. | 16 |
| Conductor cross section AWG max. | 14 |

Cabel

| | |
|---|--|
| Structure of individual litz in acc. with VDE 0295 / smallest wire diameter | VDE 0295 class 1 to 6/min. 0.15 mm |
| Wire insulation material | PVC/PE/TPE/rubber |
| Wire diameter including insulation | 2 mm ... 3.8 mm |
| External cable diameter | 9 mm ... 14 mm (Order Quickon nuts or Quickon connectors separately) |
| Position marking | 1, 2, 3, PE |

Ambient conditions

| | |
|---|-------------------|
| Degree of protection | IP66 |
| | IP68 (2 m / 24 h) |
| | IP69K |
| Ambient temperature (operation) | -40 °C ... 100 °C |
| Ambient temperature (storage/transport) | -40 °C ... 100 °C |
| Temperature when conductor connected | -5 °C ... 50 °C |

Electrical characteristics

| | |
|--------------------------------|--------|
| Nominal current I _N | 20 A |
| Rated current | 20 A |
| Rated voltage (III/3) | 690 V |
| Rated voltage (III/2) | 1000 V |
| Rated voltage (II/2) | 1000 V |
| Rated surge voltage (III/3) | 6 kV |
| Rated surge voltage (III/2) | 8 kV |
| Rated surge voltage (II/2) | 8 kV |

Mechanical characteristics

| | |
|-----------------------------|-------------------------------------|
| QUICKON connectability | max. 10 |
| Insertion/withdrawal cycles | >= 50 (QUICKON connections max. 10) |
| Category of shock impact | IK07 |

Material data

| | |
|--------------------------|---------------|
| Contact material | Cu |
| Contact surface material | silver-plated |
| Contact carrier material | PA |
| Insulating material | PA |

Conductor connectors - QPD CW 3PE2,5 1X9-14 BK - 1582545

Technical data

Material data

| | |
|--|-----|
| Flammability rating according to UL 94 | V0 |
| Overvoltage category | III |
| Degree of pollution | 3 |

Standards and Regulations

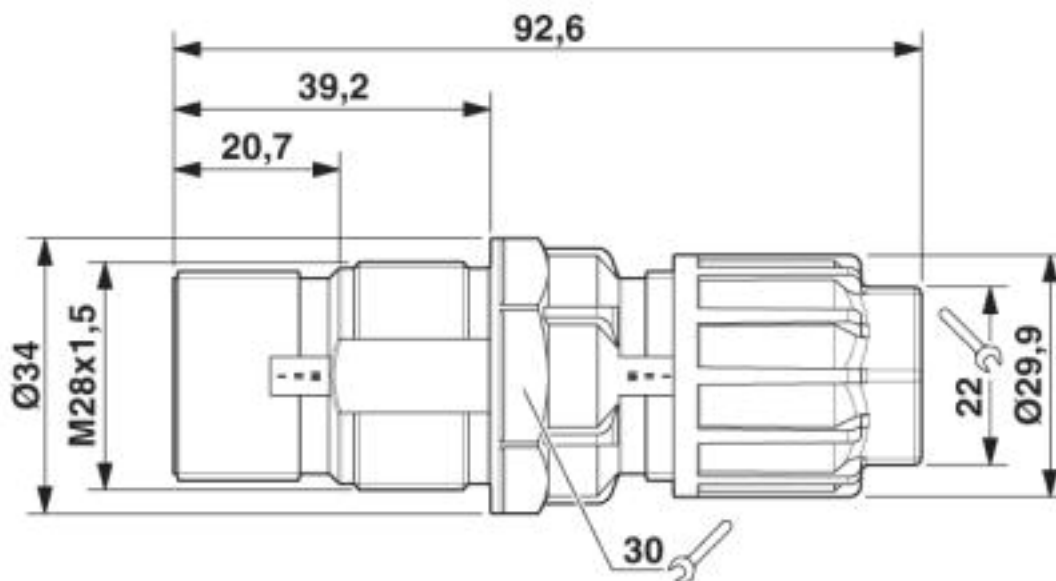
| | |
|--|----|
| Halogen-free | no |
| Flammability rating according to UL 94 | V0 |

Environmental Product Compliance

| | |
|------------|---|
| | Lead 7439-92-1 |
| China RoHS | Environmentally Friendly Use Period = 50 |
| | For details about hazardous substances go to tab "Downloads", Category "Manufacturer's declaration" |

Drawings

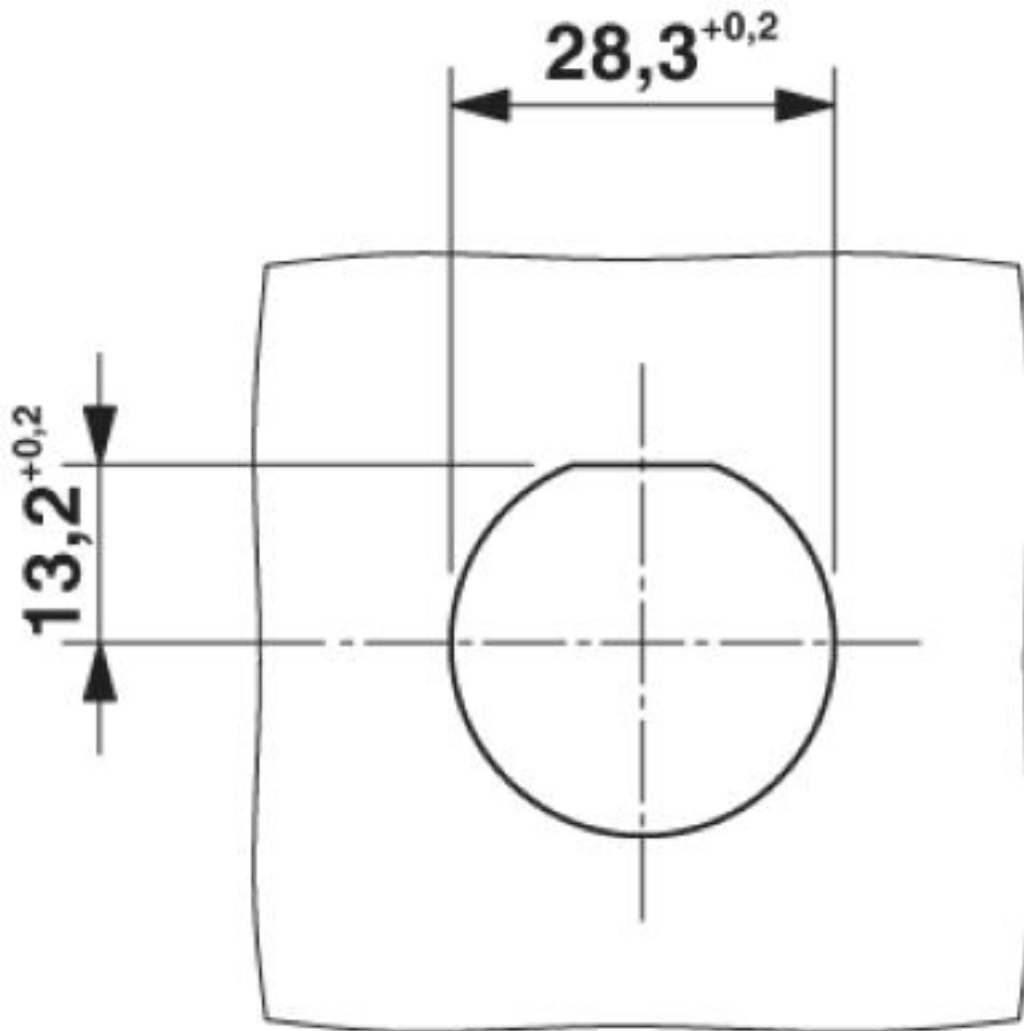
Dimensional drawing



Dimensional drawing

Conductor connectors - QPD CW 3PE2,5 1X9-14 BK - 1582545

Dimensional drawing



Panel cutout

Approvals

Approvals

Approvals


IECEE CB Scheme / VDE Zeichengenehmigung / EAC / DNV GL


Ex Approvals


Approval details

Conductor connectors - QPD CW 3PE2,5 1X9-14 BK - 1582545

Approvals

| | | | |
|-----------------|---|---|-----------|
| IECEE CB Scheme |  | http://www.iecee.org/ | DE1-58228 |
|-----------------|---|---|-----------|

| | | | |
|----------------------------|---|---|----------|
| VDE Zeichengenehmigung |  | http://www2.vde.com/de/Institut/Online-Service/VDE-gepruefteProdukte/Seiten/Online-Suche.aspx | 40029149 |
| Nominal voltage UN | 690 V | | |
| Nominal current IN | 20 A | | |
| mm ² /AWG/kcmil | 1.5-2.5 | | |

| | | | |
|-----|---|--|--------------------------|
| EAC |  | | RU C- DE.AI30.B.01102 |
|-----|---|--|--------------------------|

| | | | |
|--------|---|---|------------|
| DNV GL |  | https://approvalfinder.dnvgl.com/ | TAE00003J5 |
|--------|---|---|------------|

Phoenix Contact 2019 © - all rights reserved
<http://www.phoenixcontact.com>

PHOENIX CONTACT GmbH & Co. KG
Flachsmarktstr. 8
32825 Blomberg
Germany
Tel. +49 5235 300
Fax +49 5235 3 41200
<http://www.phoenixcontact.com>