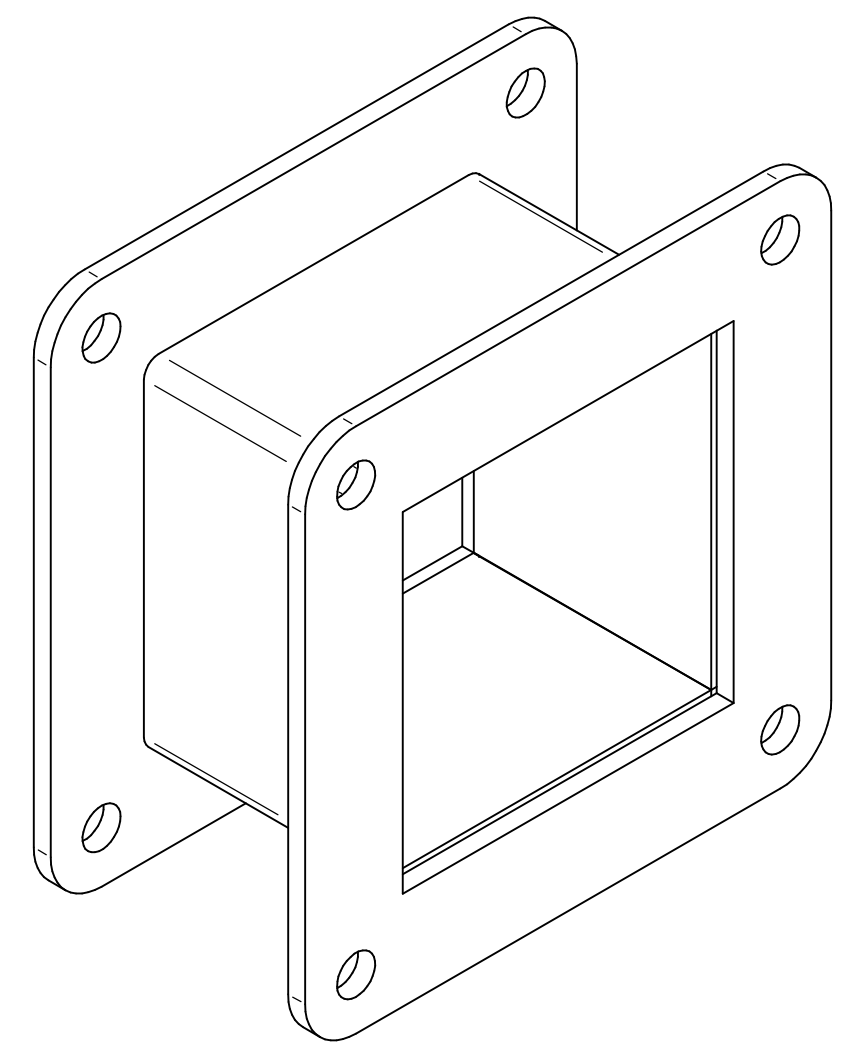
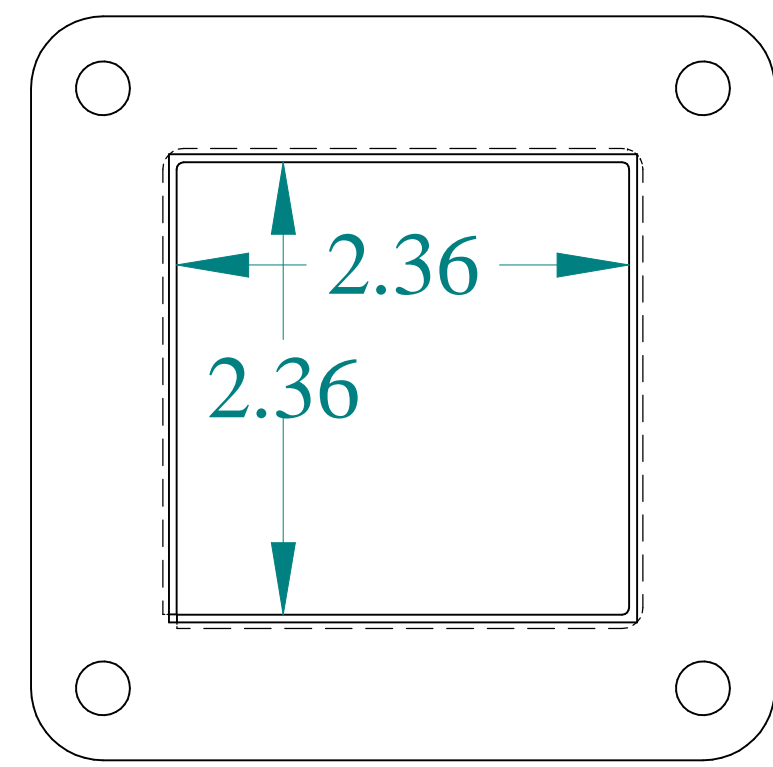
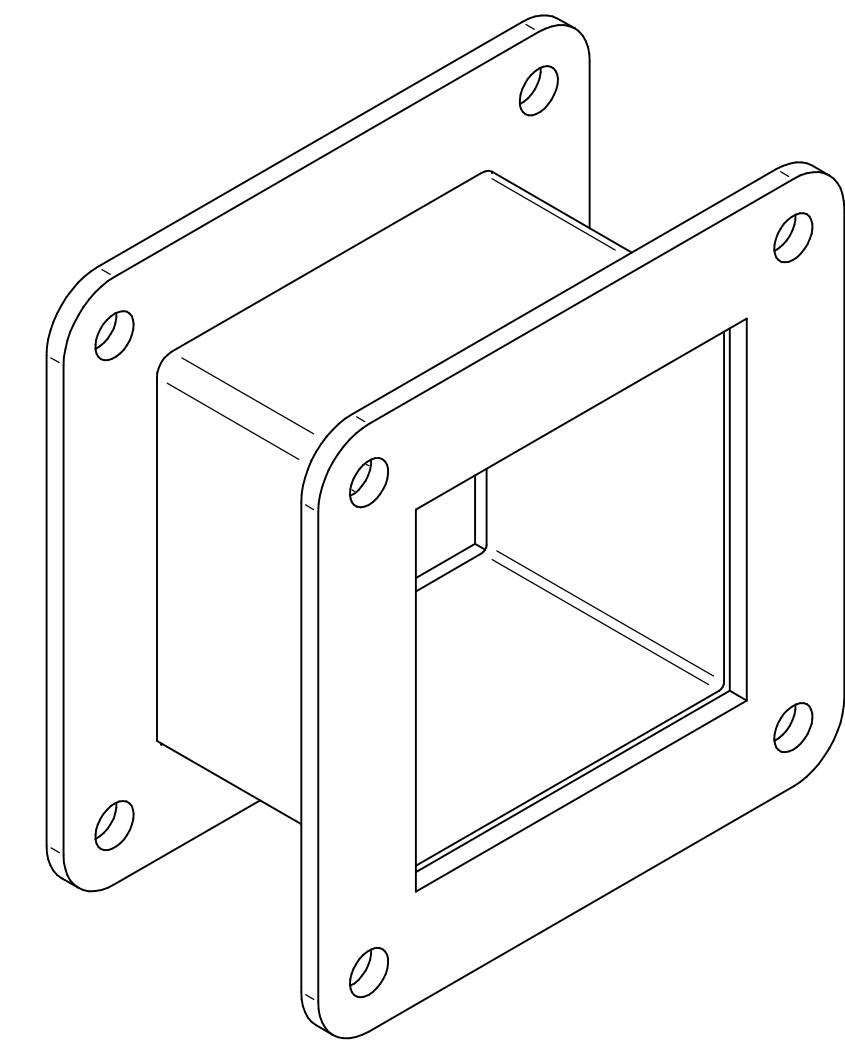


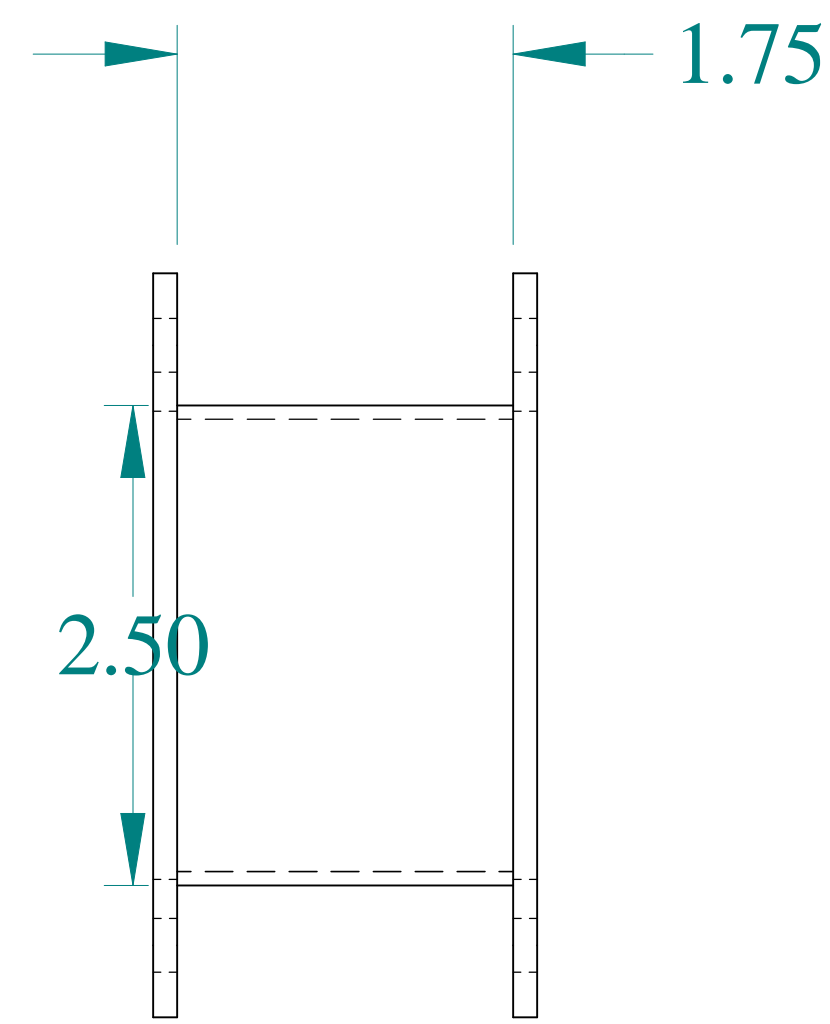
TOP VIEW



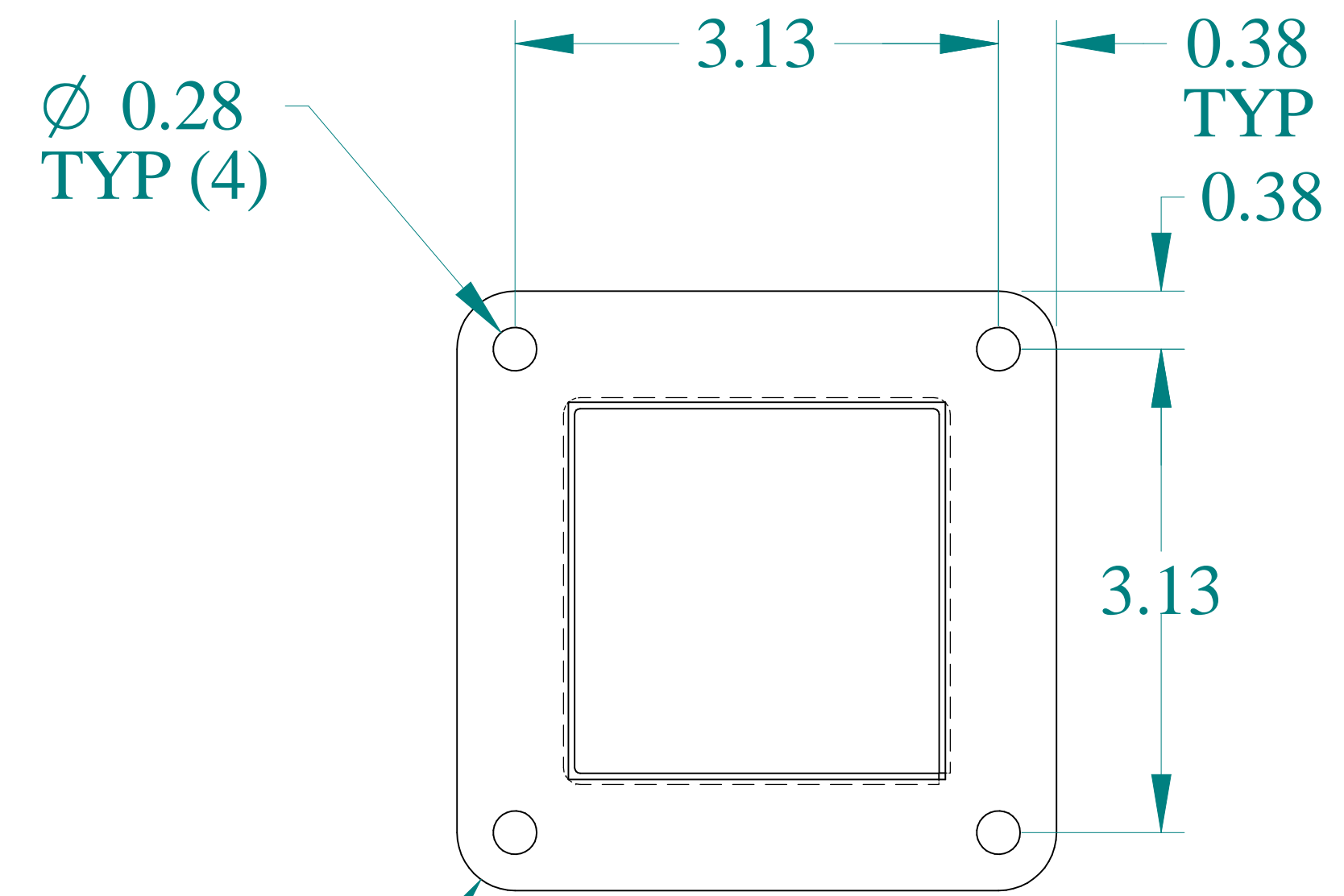
ISOMETRIC VIEWS



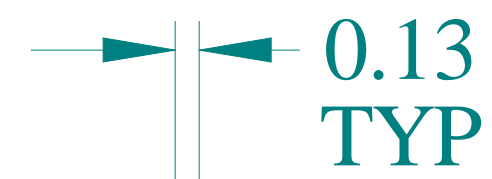
SIDE VIEW



FRONT VIEW



SIDE VIEW



BOTTOM VIEW