

VSSC6TRSLFG24VAC/DC0.5A

Weidmüller Interface GmbH & Co. KG

Klingenbergstraße 26
D-32758 Detmold
Germany

www.weidmueller.com



Similar to illustration

Overvoltage coupling along the conductor path may disturb or destroy sensitive signal inputs. It is important to provide protection in the immediate vicinity of I&C devices. Weidmüller's broad product range for the I&C sector offers products in a 2-piece, pluggable design and modular terminals for tension clamp or screw connection. These products are suitable for both binary and analogue signals. Weidmüller also offers other designs with integrated components such as gas discharge tubes or varistors. VARITECTOR stands for flexible and variable surge protection by Weidmüller, tested according to product standard IEC61643-21. The VARITECTOR series can be used in applications according to IEC 61643-22 / VDE 0845-3 for classes C1, C2, C3 and D1. The VARITECTOR SPC, SSC and MCZ OVP product families optimally combine electrical and mechanical properties. Size and easy handling play an important role. This surge protection is suited for confined spaces in industrial and process automation as well as in building automation applications.



General ordering data

| | |
|------------|---|
| Version | Surge protection for instrumentation and control, Surge protection for measurement and control, U _p (L/N-PE) 150 V |
| Order No. | 1354800000 |
| Type | VSSC6TRSLFG24VAC/DC0.5A |
| GTIN (EAN) | 4050118156751 |
| Qty. | 10 pc(s). |

VSSC6TRSLFG24VAC/DC0.5A

Weidmüller Interface GmbH & Co. KG
 Klingenbergstraße 26
 D-32758 Detmold
 Germany

www.weidmueller.com

Technical data

Dimensions and weights

| | | | |
|------------|---------|-----------------|------------|
| Depth | 81 mm | Depth (inches) | 3.189 inch |
| Height | 88.5 mm | Height (inches) | 3.484 inch |
| Width | 6.2 mm | Width (inches) | 0.244 inch |
| Net weight | 46.8 g | | |

Temperatures

| | | | |
|---------------------|----------------|-----------------------|----------------|
| Storage temperature | -40 °C...80 °C | Operating temperature | -40 °C...70 °C |
| Humidity | 5...96 % | | |

Probability of failure

| | | | |
|-----------------|-------------|-----------------------------------|---------|
| SIL PAPER | SIL PAPER | SIL in compliance with IEC 61508 | 3 |
| MTTF | 1,342 Jahre | SFF | 96.67 % |
| λ_{ges} | 54 | PFH in $1 \cdot 10^{-9}$ per hour | 1.8 |

Environmental Product Compliance

| | | | |
|------------|----------------|------|---------------------------------|
| REACH SVHC | Lead 7439-92-1 | SCIP | 71e97bb7-979f-4330-94c0-20c629b |
|------------|----------------|------|---------------------------------|

Rated data UL

| | | | |
|----------------------|---------|----------------|---------------|
| Certificate No. (UL) | E311081 | UL certificate | UL Zertifikat |
|----------------------|---------|----------------|---------------|

CSA protection data

| | | | |
|---------------------------------|-----------|-------------------------------|--------|
| Gas group C | IIB | Gas group D | IIA |
| Gas groups A, B | IIC | Input current, max. I_i | 500 mA |
| Input voltage, max. U_i | 42 V | Internal capacity, max. C_i | 2 nF |
| Internal inductance, max. L_i | 0 μ H | | |

General data

| | | | |
|---------------------------|---------------------------------------|--------------------------|--|
| Colour | black | Design | Terminal |
| Isolating function | Yes | Optical function display | No |
| Protection degree | IP20 | Rail | TS 35 |
| Segment | Measurement - Monitoring - Setting | Testing option | Functional screw with test plug receptacle, connections 1, 2, 4, 5 |
| UL 94 flammability rating | V-0 | Version | Surge protection for measurement and control |

Insulation coordination acc. to EN 50178

| | | | |
|--------------------|---|------------------------|-----|
| Pollution severity | 2 | Surge voltage category | III |
|--------------------|---|------------------------|-----|

VSSC6TRSLFG24VAC/DC0.5A

Weidmüller Interface GmbH & Co. KG
Klingenbergstraße 26
D-32758 Detmold
Germany

www.weidmueller.com

Technical data

Rated data IEC / EN

| | | | |
|--|--|--|--------------------------|
| Dielectric strength at FG against PE | ≥ 500 V | Discharge current I_{max} (8/20 μ s) GND-PE | 10 kA |
| Discharge current I_{max} (8/20 μ s) wire-PE | 10 kA | Discharge current I_n (8/20 μ s) GND-PE | 2.5 kA |
| Discharge current I_n (8/20 μ s) wire-PE | 2.5 kA | Discharge current, max. (8/20 μ s) | 10 kA |
| Fuse | 0,5 A | Insertion loss | 3.3 MHz |
| Leakage current at U_n | 2.8 mA | Lightning test current, I_{imp} (10/350 μ s) | 10 kA |
| Max. continuous voltage, U_c (AC) | 30 V | Wire-PE | 10 kA |
| Number of poles | 1 | Max. continuous voltage, U_c (DC) | 42 V |
| Protection level U_p (typ.) | 150 V | Overload - failure mode | Modus 2 |
| Protection level, U_p GND - PE | 1,400 V | Protection level on output side Wire-wire | 1 kV/ μ s, typically |
| Rated current I_N | 500 mA | Pulse-reset capacity | ≤ 20 ms |
| Rated voltage (DC) | 34 V | Rated voltage (AC) | 24 V |
| Signal transmission properties (-3 dB) | 3.2 MHz | Requirements category acc. to IEC 61643-21 | C2, C3, D1 |
| Surge current-carrying capacity C2 | 2.5 kA 8/20 μ s 5 kV 1.2/50 μ s | Standards | IEC 61643-21 |
| Surge current-carrying capacity D1 | 1 kA 10/350 μ s | Surge current-carrying capacity C3 | 10 A 10/1000 μ s |
| Volume resistance | 1.8 Ω 10 % | Voltage type | AC/DC |

Further details of approvals

GOST certificate GOST-Zertifikat

Connection data

| | | | |
|--|---------------------|--|-------------------|
| Stripping length | 10 mm | Type of connection | Screw connection |
| Tightening torque, min. | 0.5 Nm | Tightening torque, max. | 0.8 Nm |
| Clamping range, min. | 0.5 mm ² | Clamping range, max. | 4 mm ² |
| Wire cross-section, solid, min. | 0.5 mm ² | Wire cross-section, solid, max. | 6 mm ² |
| Conductor cross-section, flexible, AEH (DIN 46228-1), min. | 0.5 mm ² | Conductor cross-section, flexible, AEH (DIN 46228-1), max. | 4 mm ² |
| Connection cross-section, stranded, min. | 0.5 mm ² | Connection cross-section, stranded, max. | 4 mm ² |

Ratings IECEx/ATEX/cUL

cUL certificate cUL Certificate

Classifications

| | | | |
|-------------|-------------|-------------|-------------|
| ETIM 6.0 | EC000943 | ETIM 7.0 | EC000943 |
| ETIM 8.0 | EC000943 | ECLASS 9.0 | 27-13-08-07 |
| ECLASS 9.1 | 27-13-08-07 | ECLASS 10.0 | 27-13-08-07 |
| ECLASS 11.0 | 27-13-08-07 | ECLASS 12.0 | 27-17-90-90 |

VSSC6TRSLFG24VAC/DC0.5A

Weidmüller Interface GmbH & Co. KG
 Klingenbergstraße 26
 D-32758 Detmold
 Germany

www.weidmueller.com

Technical data

Tender specification sheets

| Long specification | Short specification |
|---|---|
| Surge protection in a one piece, 6.2 mm wide DIN rail module for two binary, potential-free signal circuits with 24 V UC. Each signal path can be opened using an isolator. Signal indication via a green LED. When the terminal is fitted, there is a simultaneous sparkover gap created to the high-impedance earth between the mounting rail (earth) and the reference potential (ground) of the protective switch. Optical identification of the terminal based on the type of protected switching and the voltage level. The terminal can be labelled or marked. | Surge protection in a one piece, 6.2 mm wide DIN rail module for two binary, potential-free signal circuits. Each signal path can be opened using an isolator. Signal indication via a green LED. Version: 24V UC |

Important note

| | |
|---------------------|--|
| Product information | Mode 2: State where the voltage-limiting part of the SPD was short-circuited due to a very low impedance within the SPD. The line is inoperable, but the measuring equipment is still protected by means of a short-circuit. |
|---------------------|--|

Approvals

Approvals



| | |
|-----------------------|------------|
| ROHS | Conform |
| UL File Number Search | UL Website |
| Certificate No. (UL) | E311081 |

Downloads

| | |
|---|--|
| Approval/Certificate/Document of Conformity | SIL Paper EU Konformitätserklärung / EU Declaration of Conformity |
| Engineering Data | CAD data – STEP |
| Engineering Data | EPLAN, WSCAD |
| User Documentation | Beipackzettel / Instruction sheet |
| Catalogues | Catalogues in PDF-format |
| Brochures | |

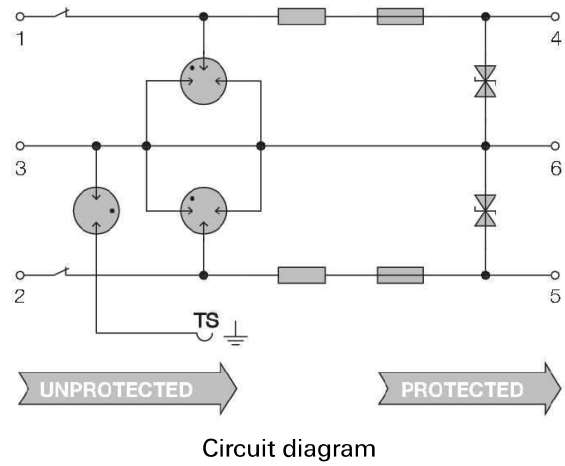
VSSC6TRSLFG24VAC/DC0.5A

Weidmüller Interface GmbH & Co. KG
Klingenbergstraße 26
D-32758 Detmold
Germany

www.weidmueller.com

Drawings

Similar to illustration



Circuit diagram