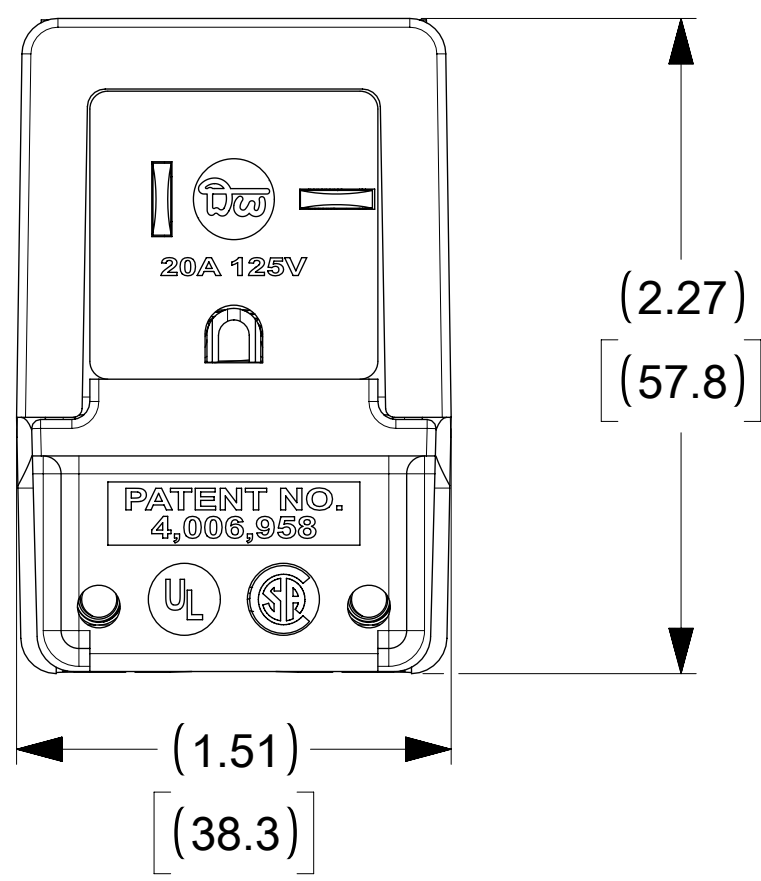
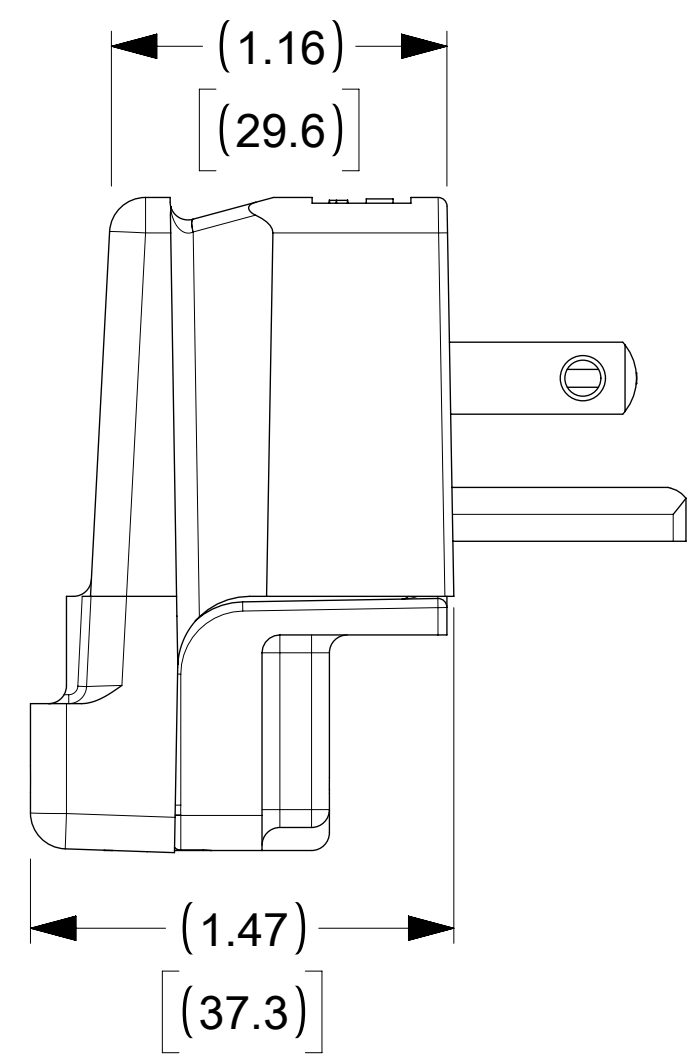
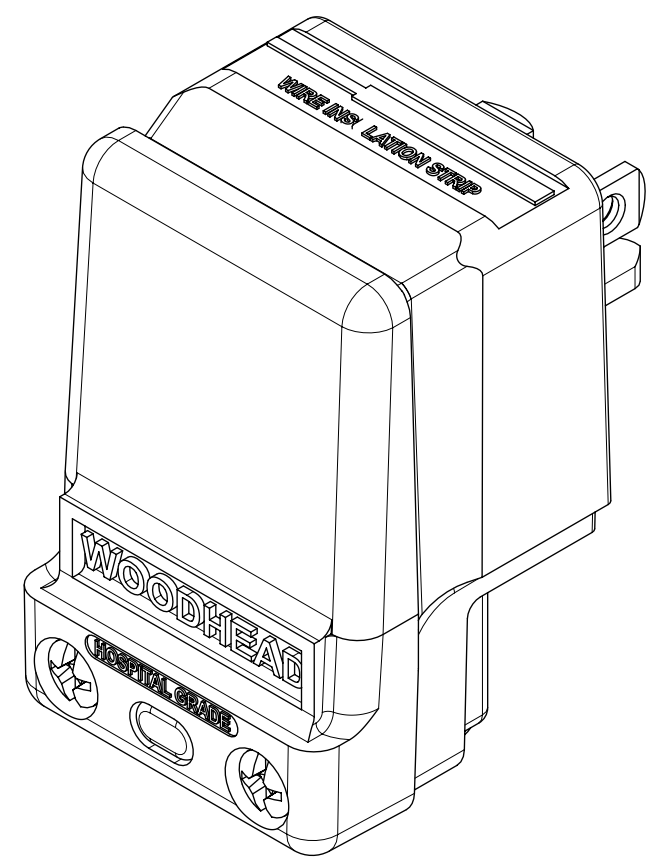
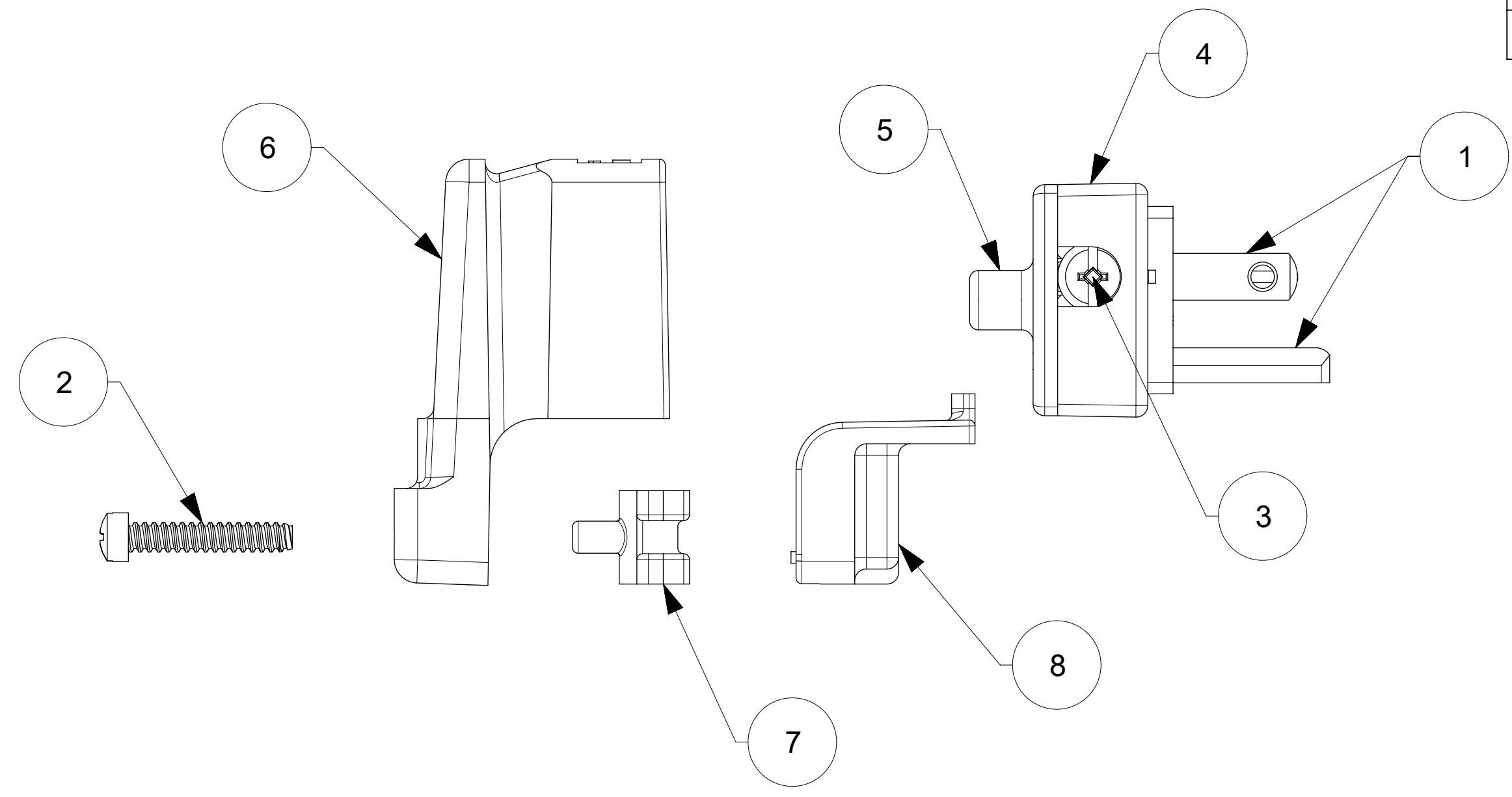
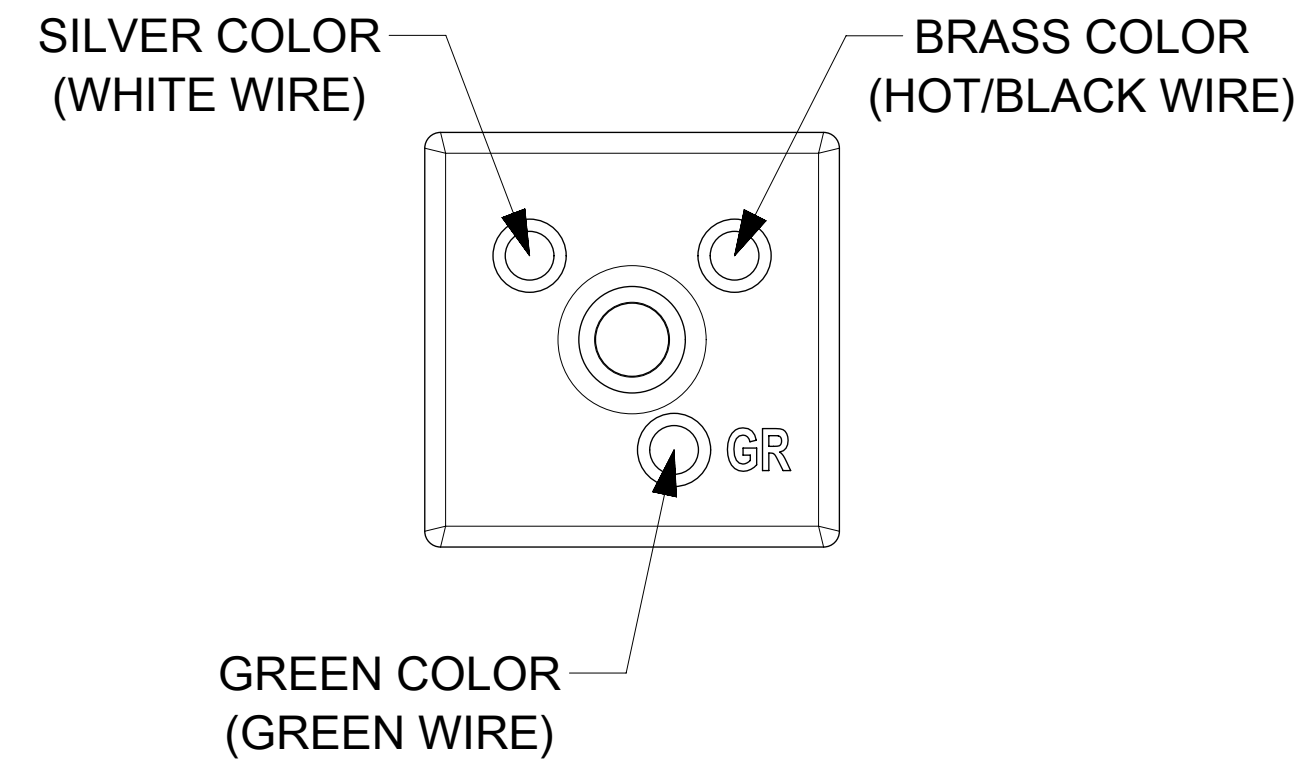


ORDER NO.	WOODHEAD NO.	COLOR
130144-0076	85053	TRANSPARENT



WIRING TERMINATION



ITEM NO.	DESCRIPTIONS	MATERIAL	QTY.
1	BLADES	BRASS, NICKEL PLATED	3
2	RETAINING SCREWS	STAINLESS STEEL	2
3	TERMINAL SCREWS/CLAMP ASSEMBLY	BRASS, ZINC PLATED	3
4	BLADE HOUSING, FRONT	NYLON	1
5	BLADE HOUSING, BACK	NYLON	1
6	BODY & CLAMP HALF	NYLON	1
7	CLAMP INSERT	NYLON	1
8	CLAMP HALF	NYLON	1

THIS DRAWING CONTAINS INFORMATION THAT IS PROPRIETARY TO MOLEX ELECTRONIC TECHNOLOGIES, LLC AND SHOULD NOT BE USED WITHOUT WRITTEN PERMISSION			
DIMENSION UNITS INCH[MM]	SCALE NTS	CURRENT REV DESC: NEW RELEASE	
GENERAL TOLERANCES (UNLESS SPECIFIED)		molex	
4 PLACES ± 3 PLACES ± 2 PLACES ± 1 PLACE ± 0 PLACES ±	MM INCH ± ± ± ± ± ± ± ± ± ±	EC NO: 621926 DRWN: VBASUTHKARP 2019/05/02 CHK'D: DNGUYEN62 2020/07/02 APPR: HKNEELAND 2020/08/31	
ANGULAR TOL ± °		PRODUCT CUSTOMER DRAWING	
DRAFT WHERE APPLICABLE MUST REMAIN WITHIN DIMENSIONS		INITIAL REVISION: DRWN: VBASUTHKARP 2019/05/02 APPR: HKNEELAND 2020/08/31	
THIRD ANGLE PROJECTION		DOCUMENT NUMBER 1301440076	
DRAWING SERIES C-SIZE 130144		DOC TYPE DOC PART REVISION PSD 000 A	
MATERIAL NUMBER SEE TABLE		CUSTOMER GENERAL MARKET	
SHEET NUMBER 1 OF 1			