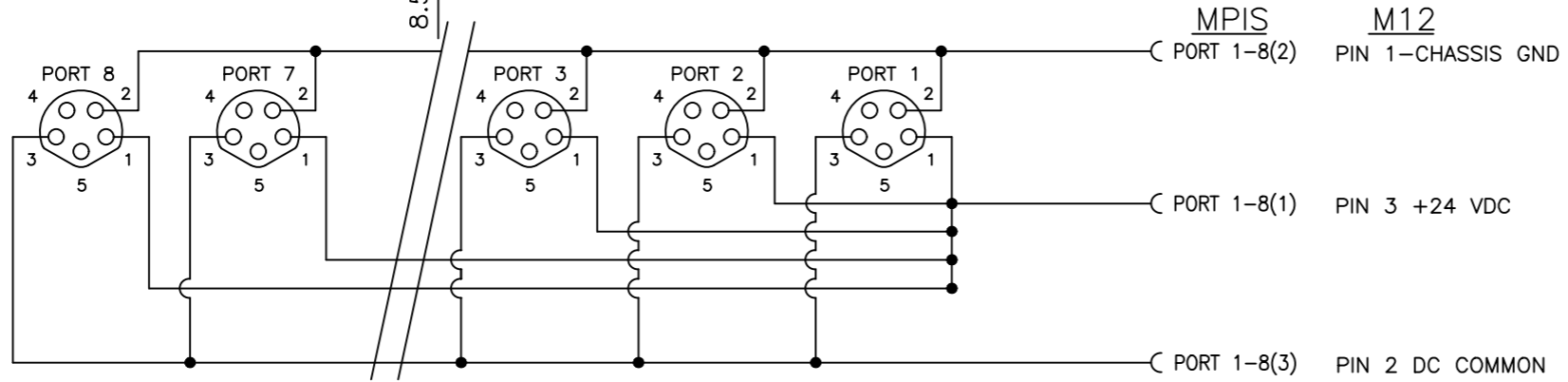
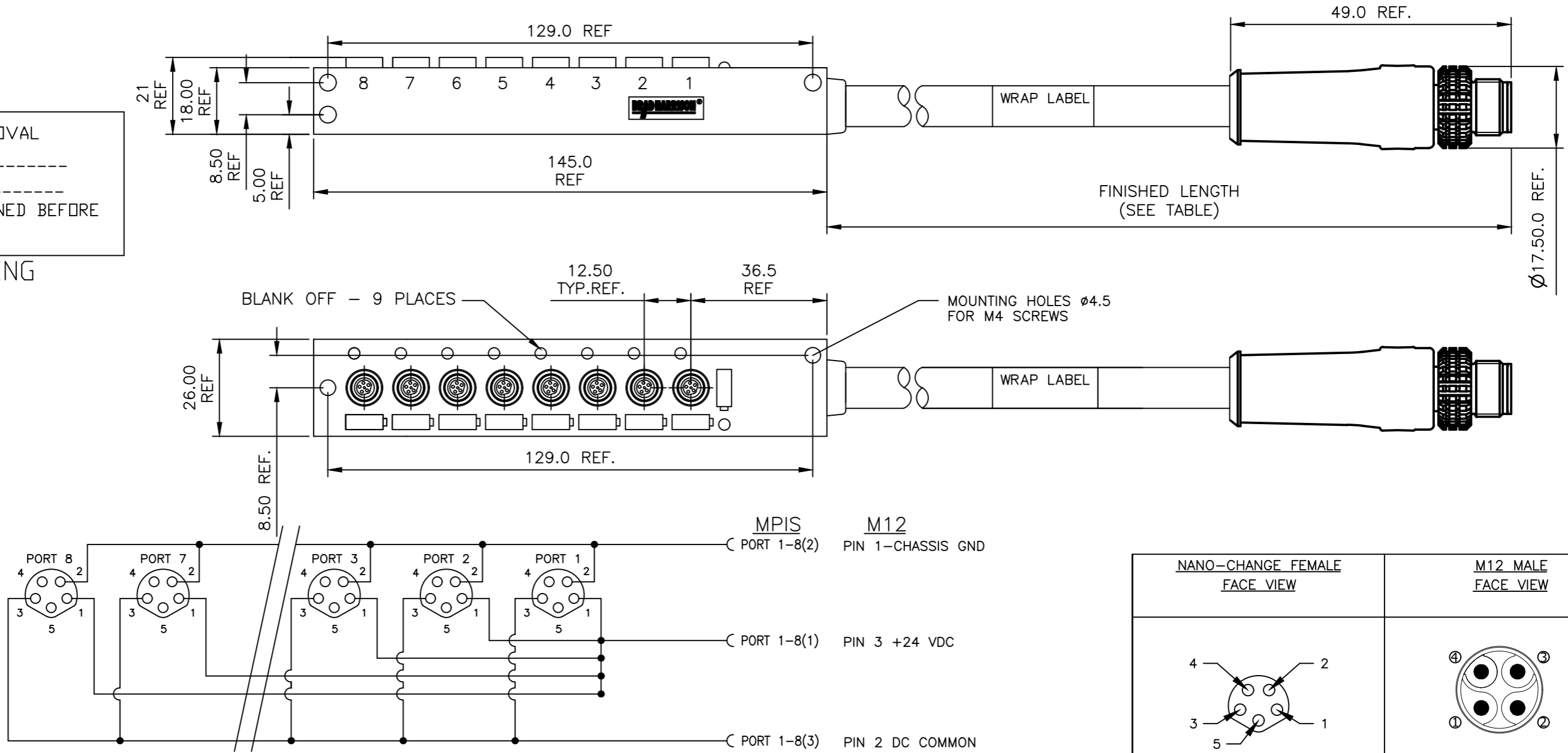
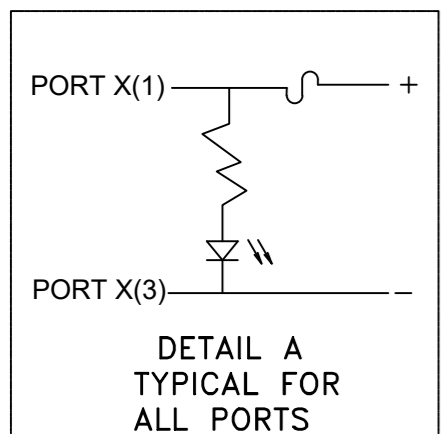


CUSTOMER PRODUCTION APPROVAL  
 APPROVED BY: \_\_\_\_\_  
 DATE: \_\_\_\_\_  
 MUST BE SIGNED AND RETURNED BEFORE  
 PRODUCTION WILL BEGIN.

SALES DRAWING



NANO-CHANGE FEMALE FACE VIEW		M12 MALE FACE VIEW	
PORTS 1-8		PORTS 1-8	
PIN	FUNCTION	PIN	FUNCTION
1	V+ 24 VDC	1	CHASSIS GROUND
2	CHASSIS GROUND	2	POWER COMMON (V-)
3	POWER COMMON (V-)	3	V+ 24 VDC
4	NO CONNECTION	4	NO CONNECTION
5	NO CONNECTION		

PART NUMBER:	FINISHED LENGTH:
1300380036	1.10 METERS
1300380037	3.30 METERS

SPECIFICATION

CABLE: 14 AWG  
 HOUSING: YELLOW PBT  
 BODY: BLACK PUR  
 CONTACT MATERIAL: BRASS  
 CONTACT PLATING: GOLD OVER PALLADIUM/NICKEL  
 COUPLING NUT: NICKEL PLATED BRASS

AMPERAGE PER PORT: 2.0 AMPS  
 INRUSH CURRENT: 3 AMPS @ 3 SECONDS  
 TOTAL AMPERAGE: 16.0 AMPS  
 FUSE: LITTELFUSE PTC P/N: 2920L150

THIS DRAWING CONTAINS INFORMATION THAT IS PROPRIETARY TO MOLEX ELECTRONIC TECHNOLOGIES, LLC AND SHOULD NOT BE USED WITHOUT WRITTEN PERMISSION

FUNCTIONAL SYMBOLS: F=0, EC=0, EP=0

DIMENSION UNITS: MM, SCALE: 4:1

GENERAL TOLERANCES (UNLESS SPECIFIED):

PLACES	mm	INCH
4 PLACES	±---	±---
3 PLACES	±---	±---
2 PLACES	±0.05	±---
1 PLACE	±0.1	±---
0 PLACES	±---	±---

ANGULAR TOL ± 0.5°

DRAFT WHERE APPLICABLE MUST REMAIN WITHIN DIMENSIONS

THIRD ANGLE PROJECTION

DRAWING: B-SIZE, SERIES: 130038

EC NO: 667392  
 DRWN: ABHISP1 2021/04/30  
 CHK'D: ABHISP1 2021/07/01  
 APPR: GGA 2021/07/05

INITIAL REVISION:  
 DRWN: BWOODMAN 2014/08/24  
 APPR: JFMURPHY 2015/06/04

CURRENT REV DESC: ---

**molex**

M8 8 PORT MPIS  
 M12 POWER HOMERUN POWER MANIFOLD

PRODUCT CUSTOMER DRAWING

DOCUMENT NUMBER: SD-130038-009, DOC TYPE: PSD, DOC PART: 001, REVISION: B

MATERIAL NUMBER: SEE TABLE, CUSTOMER: GENERAL MARKET, SHEET NUMBER: 1 OF 1