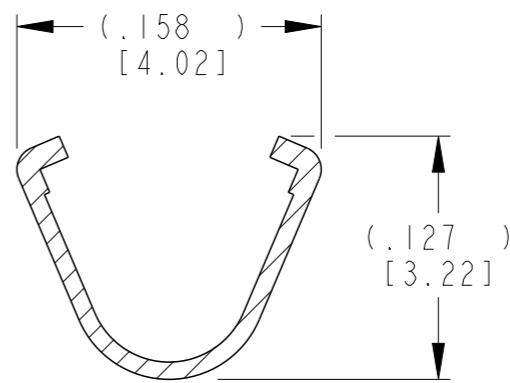
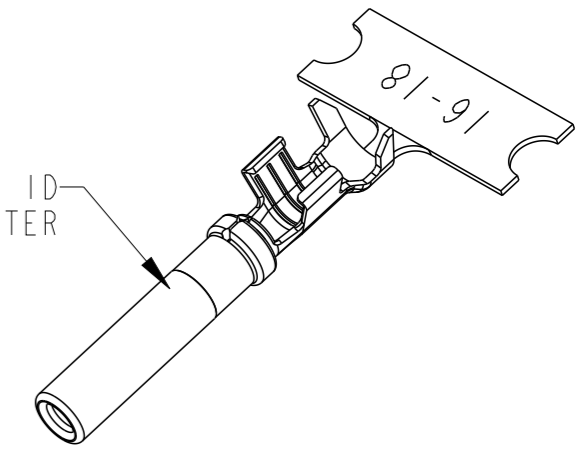
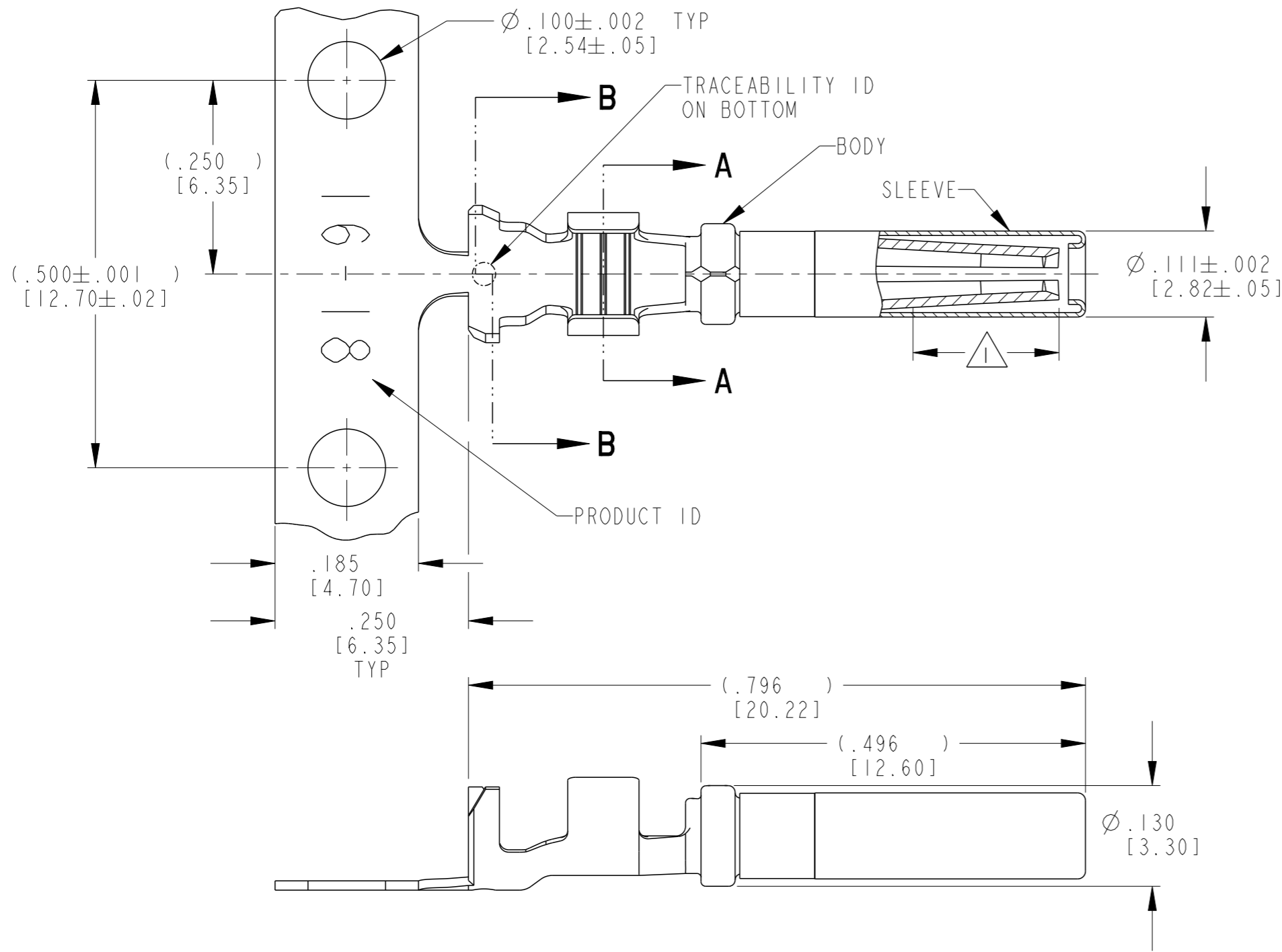
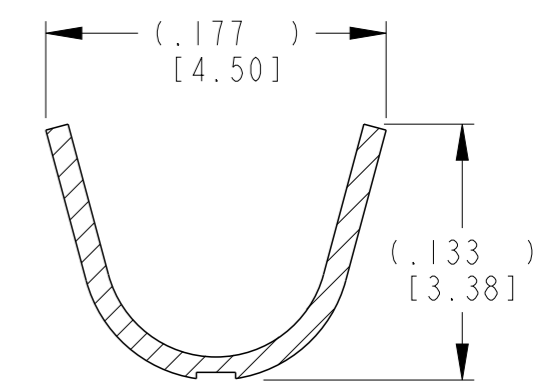


P	LTR	DESCRIPTION	DATE	DWN	APVD
B		REVISED PER E.O. P19555	11JUL2007		RDR
C		REVISED PER E.O. P20396	25JUN2010		RDR
D		REVISED PER E.O. P21266	12JAN2012		RDR
DI		REVISED PER PCN-22-157823	12OCT2022	SP	DM



SECTION A-A
WIRE BARREL



SECTION B-B
INSULATION BARREL

TE INTERNAL PN	DEUTSCH PN	PLATING
1062-16-0922	1062-16-0922	Ni/Cu overall, Sn/Ni/Cu Wire Barrel
1062-16-0977	1062-16-0977	Sn/Ni/Cu overall
1062-16-0988	1062-16-0988	Selective Pd-Ni, Au/Ni/Cu overall

3 MATERIAL:
BODY: .012 [0.30] THICK COPPER ALLOY
SLEEVE: STAINLESS STEEL

2. WIRE RANGE: 18 AWG TO 14 AWG [0.75-2.0 mm²]
INSULATION RANGE: Ø.075-.140 [Ø1.91-3.56]

1 PALLADIUM-NICKEL PLATED REGION.

NOTES: UNLESS OTHERWISE SPECIFIED

THIS DRAWING IS A CONTROLLED DOCUMENT.		DWN J. APOSTOL 03DEC2009		
DIMENSIONS: INCHES [mm]		CHK D. MEYER 10JAN2012		
TOLERANCES UNLESS OTHERWISE SPECIFIED:		APVD R. REED 10JAN2012	NAME SOCKET, STAMPED AND FORMED SIZE 16 14-18AWG	
0 PLC ± 1 PLC ± 2 PLC ± 3 PLC ±.025 [0.64] 4 PLC ± ANGLES ±		PRODUCT SPEC 108-151000	RESTRICTED TO	
MATERIAL 3		APPLICATION SPEC 114-151000	SIZE A3	CAGE CODE 4AFU8
FINISH SEE TABLE		WEIGHT 0.43 g	DRAWING NO C=1062-16-09XX	SCALE 6:1
		CUSTOMER DRAWING	SHEET 1 OF 1	REV DI