

MATERIALS AND FINISHES

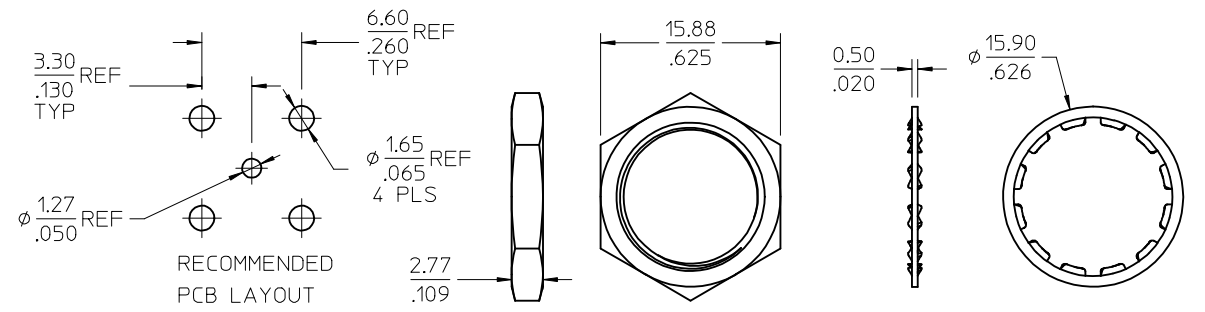
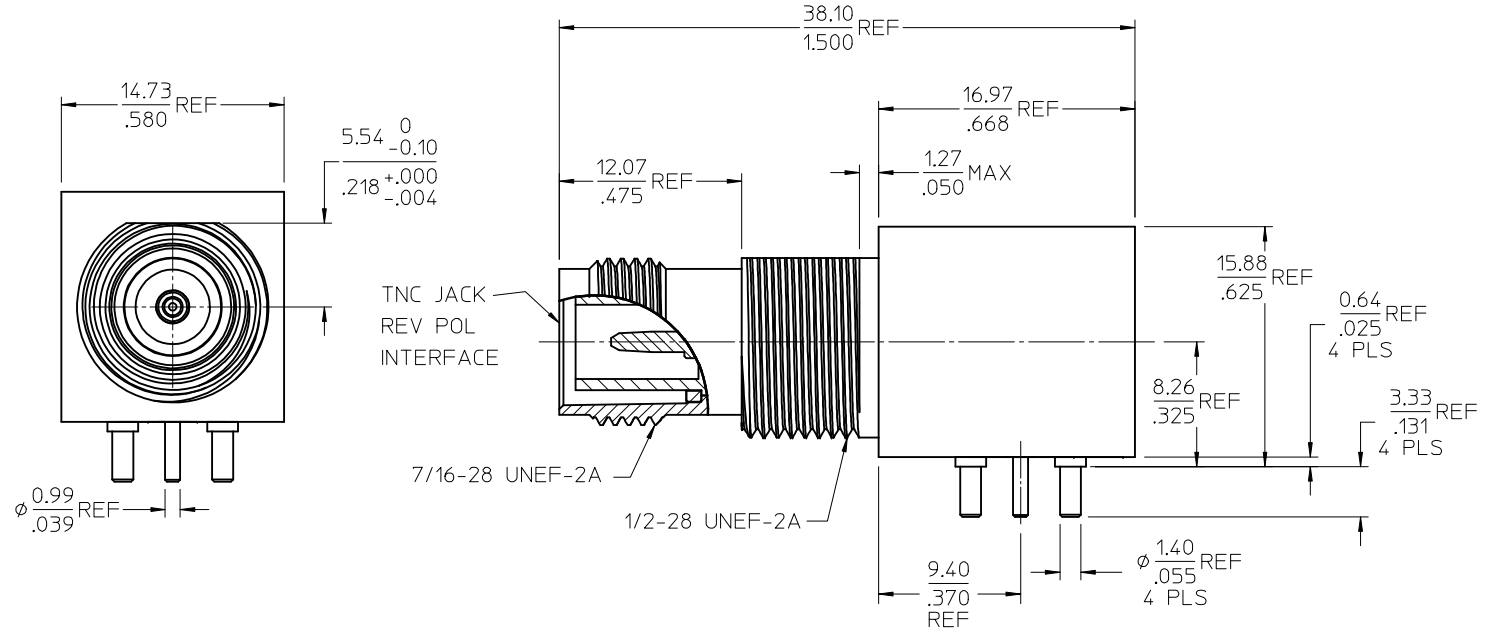
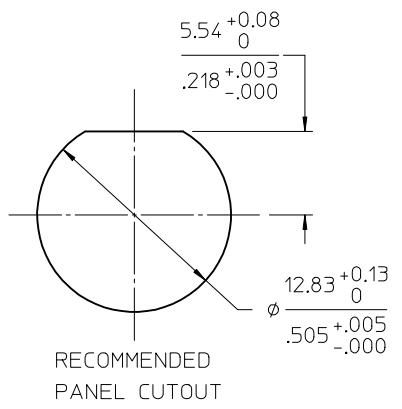
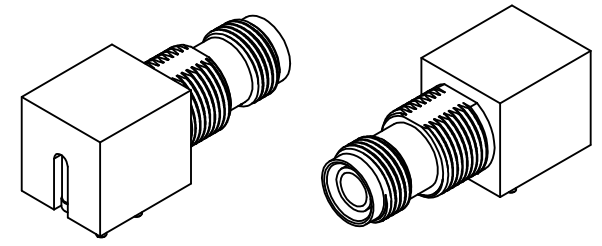
BODY, JAM NUT: BRASS  
PLATED: NICKEL

CENTER CONTACT: BRASS  
PLATED: GOLD

INSULATOR: TEFLON

POSTS: BRASS  
PLATED: TIN

LOCKWASHER: PHOS. BRONZE  
PLATED: NICKEL



|            |                                       |
|------------|---------------------------------------|
| 73216-1502 | 73216-1500 WITH ALL HARDWARE INCLUDED |
| 73216-1501 | 73216-1500, ONE PER BAG               |
| 73216-1500 | TRAY (NO HARDWARE)                    |
| PART NO.   | PACKAGING                             |

|   |                     |            |
|---|---------------------|------------|
| CHG: 73216-1500<br>PKG TRAY WAS BULK<br>PER RF15-E002 | EC NO: URF2016-0259 | 2016/01/04 |
| DRWN: CWE102  | CHKD:               |            |
| APPR: YCHENG  | DESCRIPTION         | 2016/01/07 |
| REV: A2   |                     |            |

|                 |                          |
|-----------------|--------------------------|
| QUALITY SYMBOLS | $\nabla=0$<br>$\nabla=0$ |
|-----------------|--------------------------|

| GENERAL TOLERANCES (UNLESS SPECIFIED) | <table border="1"> <tr> <th></th> <th>mm</th> <th>INCH</th> </tr> <tr> <td>4 PLACES</td> <td>± .15</td> <td>± .005</td> </tr> <tr> <td>3 PLACES</td> <td>± .10</td> <td>± .004</td> </tr> <tr> <td>2 PLACES</td> <td>± .075</td> <td>± .003</td> </tr> <tr> <td>1 PLACE</td> <td>± .05</td> <td>± .002</td> </tr> </table> |        | mm | INCH | 4 PLACES | ± .15 | ± .005 | 3 PLACES | ± .10 | ± .004 | 2 PLACES | ± .075 | ± .003 | 1 PLACE | ± .05 | ± .002 |
|---------------------------------------|--|--------|----|------|----------|-------|--------|----------|-------|--------|----------|--------|--------|---------|-------|--------|
|                                       | mm   | INCH   |    |      |          |       |        |          |       |        |          |        |        |         |       |        |
| 4 PLACES                              | ± .15  | ± .005 |    |      |          |       |        |          |       |        |          |        |        |         |       |        |
| 3 PLACES                              | ± .10  | ± .004 |    |      |          |       |        |          |       |        |          |        |        |         |       |        |
| 2 PLACES                              | ± .075   | ± .003 |    |      |          |       |        |          |       |        |          |        |        |         |       |        |
| 1 PLACE                               | ± .05  | ± .002 |    |      |          |       |        |          |       |        |          |        |        |         |       |        |
| ANGULAR                               | ± 2°   |        |    |      |          |       |        |          |       |        |          |        |        |         |       |        |
| DRAFT WHERE APPLICABLE                | MUST REMAIN WITHIN DIMENSIONS  |        |    |      |          |       |        |          |       |        |          |        |        |         |       |        |

|                 |            |
|-----------------|------------|
| DIMENSION STYLE | MM/IN      |
| DRAWN BY        | SSS        |
| DATE            | 2005/01/18 |
| CHECKED BY      | TEF        |
| DATE            | 2005/01/18 |
| APPROVED BY     | JDW        |
| DATE            | 2005/01/18 |
| MATERIAL NO.    | SEE TABLE  |
| SIZE            | C          |

|   |              |                        |
|---|--------------|------------------------|
| SCALE   | DESIGN UNITS | THIRD ANGLE PROJECTION |
|   | METRIC       |                        |
| TITLE   |              |                        |
| TNC JACK, R/A, REV POL  |              |                        |
| 50 OHMS, PCB, BLKHD   |              |                        |
| EWR2697 TNC-J/PCB/BLKHD   |              |                        |
| MOLEX MOLEX INCORPORATED  |              |                        |
| DOCUMENT NO.  | SD-73216-150 | SHEET NO.              |
|   |              | 1 OF 1                 |
| THIS DRAWING CONTAINS INFORMATION THAT IS PROPRIETARY TO MOLEX INCORPORATED AND SHOULD NOT BE USED WITHOUT WRITTEN PERMISSION |              |                        |